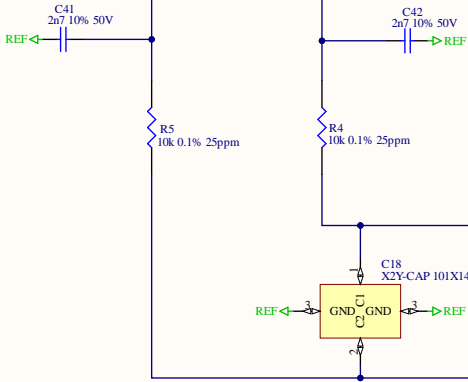
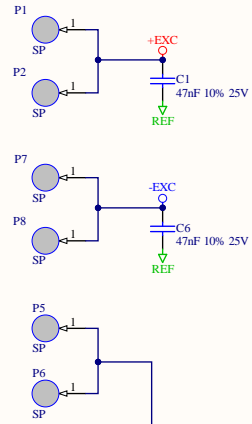
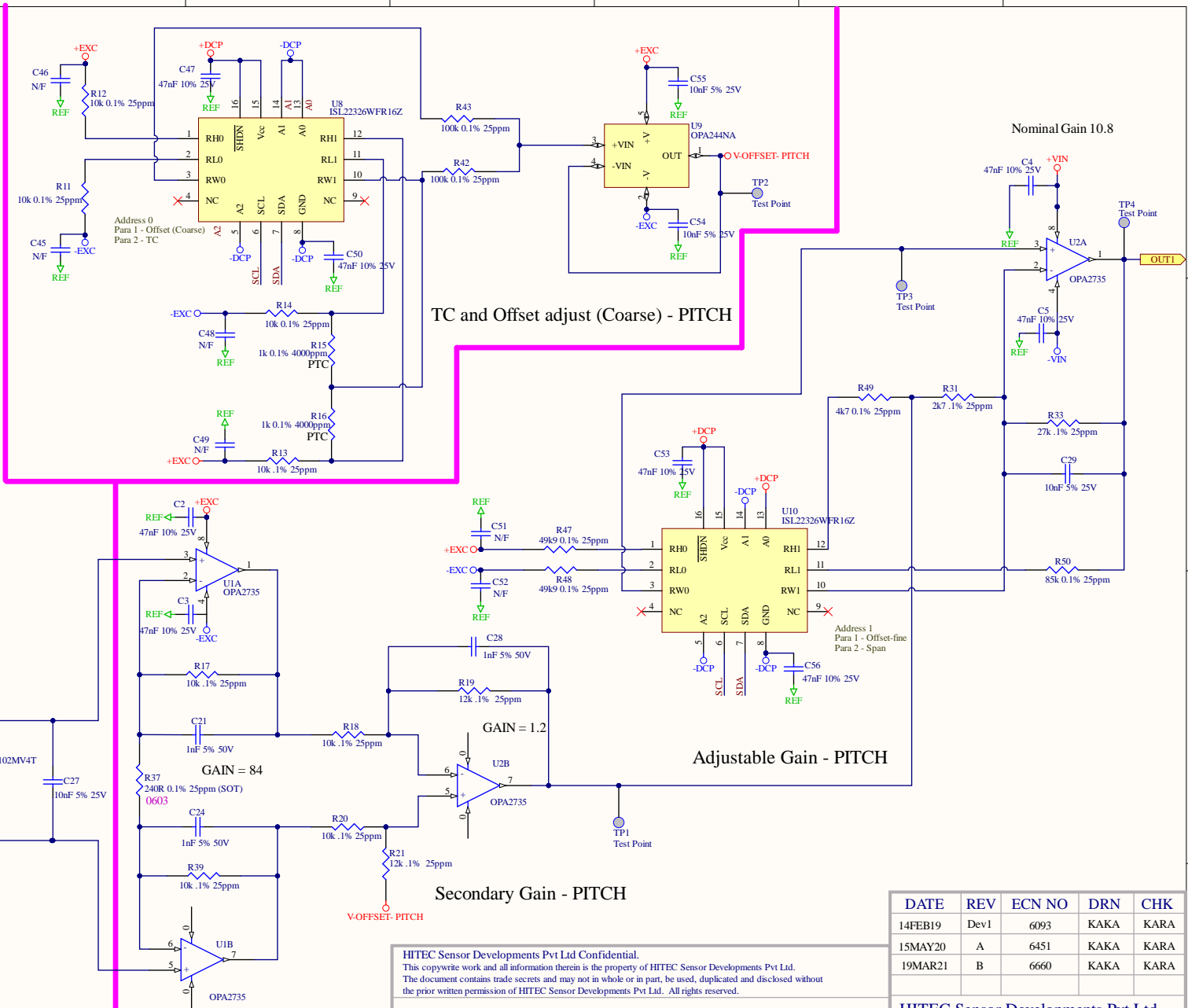


Bridge + Adjustment & Conditioning - PITCH



PITCH CHANNEL



Main Gain Stage - PITCH

HITEC Sensor Developments Pvt Ltd Confidential.
 This copyright work and all information therein is the property of HITEC Sensor Developments Pvt Ltd.
 The document contains trade secrets and may not in whole or in part, be used, duplicated and disclosed without the prior written permission of HITEC Sensor Developments Pvt Ltd. All rights reserved.

Title DAFSA - Amplifier PCB - PITCH Channel						
Drawing No PCBSCH008172						
Date	19MAR21	Sheet	2	of	4	
Drn	KAKA	Chkd	KARA	App	BR	

DATE	REV	ECN NO	DRN	CHK
14FEB19	Dev1	6093	KAKA	KARA
15MAY20	A	6451	KAKA	KARA
19MAR21	B	6660	KAKA	KARA

HITEC Sensor Developments Pvt Ltd
 Flinth Commercial Park
 Ranmuthugala Estate
 Kadawatha
 Sri Lanka