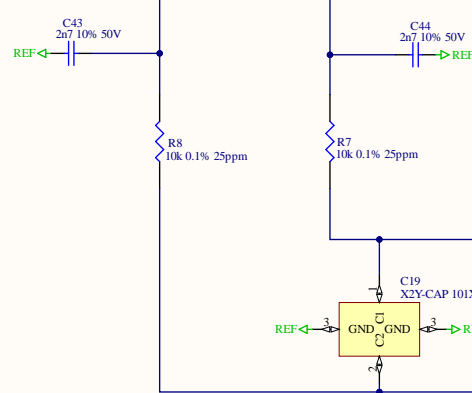
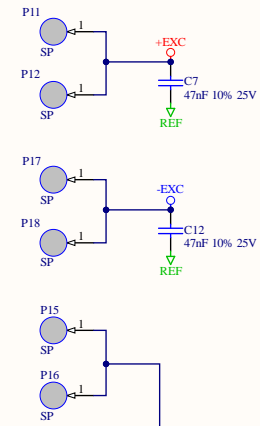
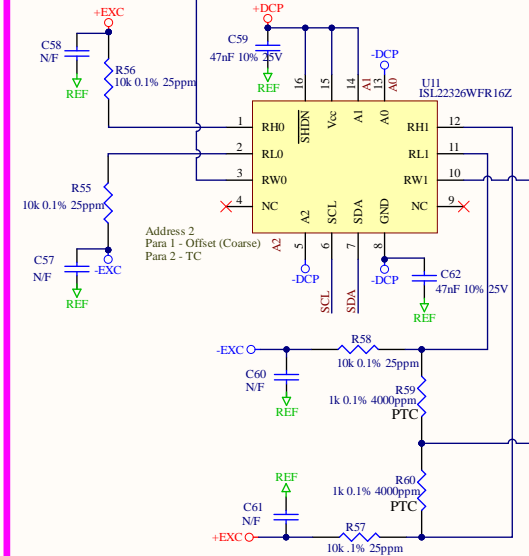


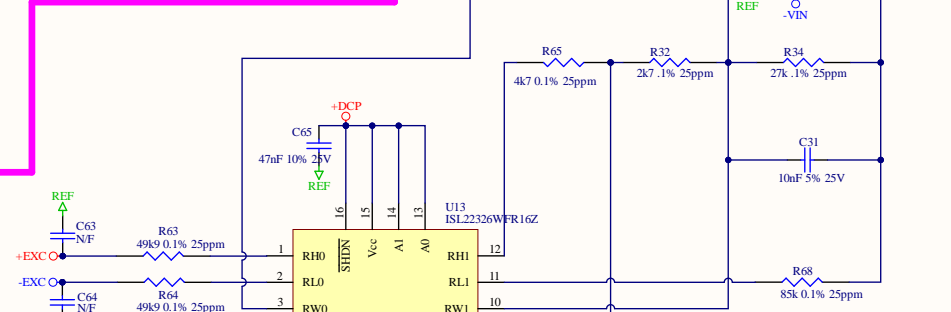
Bridge + Adjustment & Conditioning - ROLL



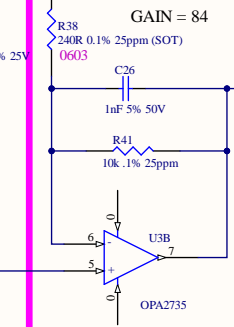
ROLL CHANNEL



TC and Offset adjust (Coarse) - ROLL



Main Gain Stage - ROLL



Secondary Gain - ROLL

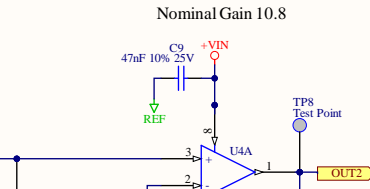
HITEC Sensor Developments Pvt Ltd Confidential.  
 This copyright work and all information therein is the property of HITEC Sensor Developments Pvt Ltd.  
 The document contains trade secrets and may not in whole or in part, be used, duplicated and disclosed without the prior written permission of HITEC Sensor Developments Pvt Ltd. All rights reserved.

Title DAFSA - Amplifier PCB - ROLL Channel

Drawing No PCBSC008172

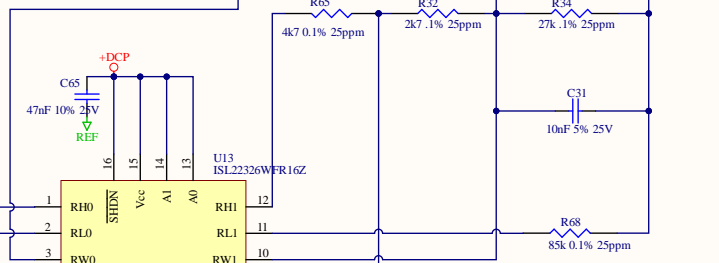
Date 19MAR21 Sheet 3 of 4

Drn KAKA Chkd KARA App BR



Nominal Gain 10.8

Adjustable Gain - ROLL



DATE	REV	ECN NO	DRN	CHK
14FEB19	Dev1	6093	KAKA	KARA
15MAY20	A	6451	KAKA	KARA
19MAR21	B	6660	KAKA	KARA

HITEC Sensor Developments Pvt Ltd  
 Flinth Commercial Park  
 Ranmuthugala Estate  
 Kadawatha  
 Sri Lanka

