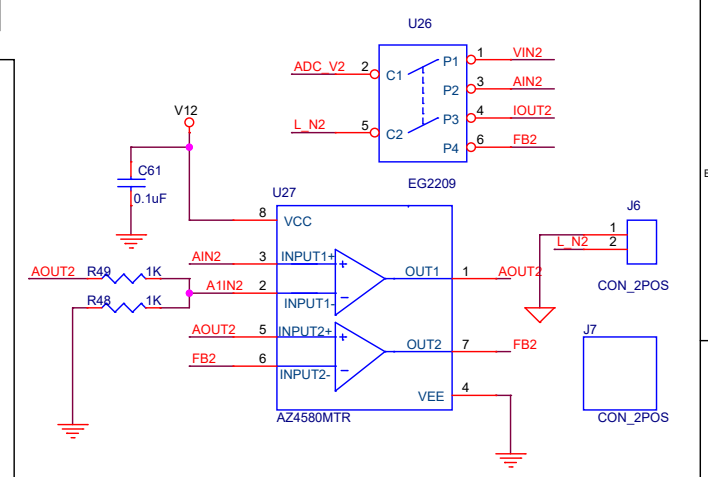
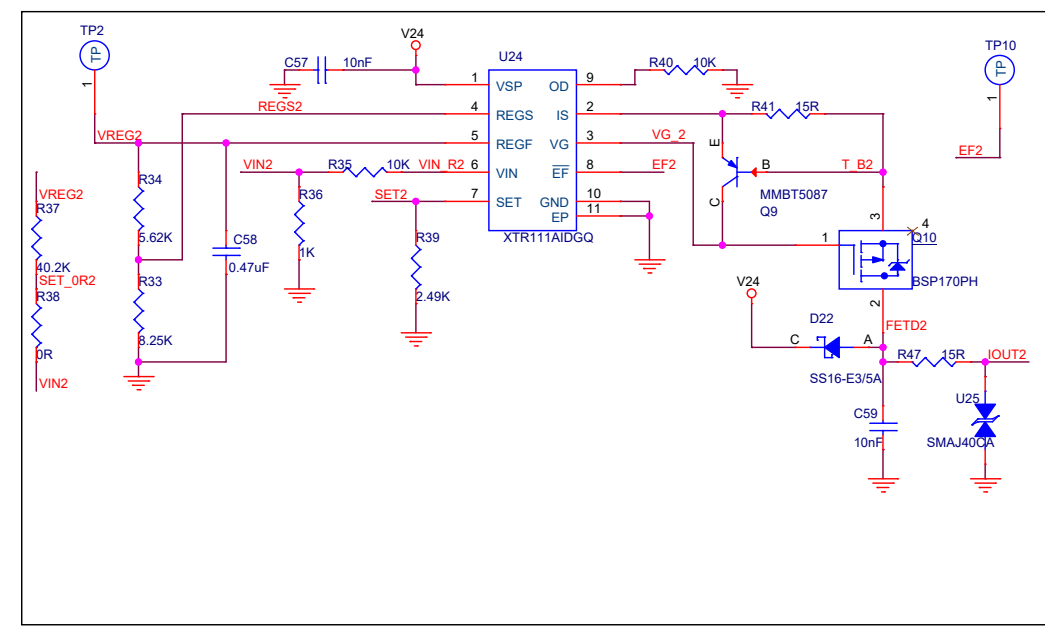
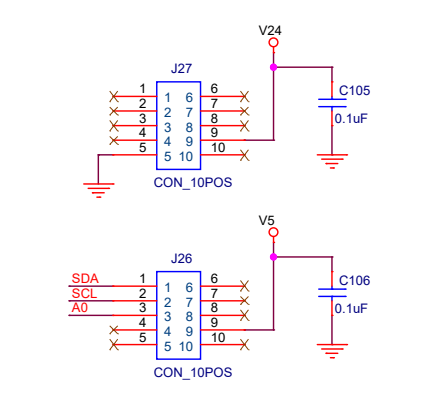
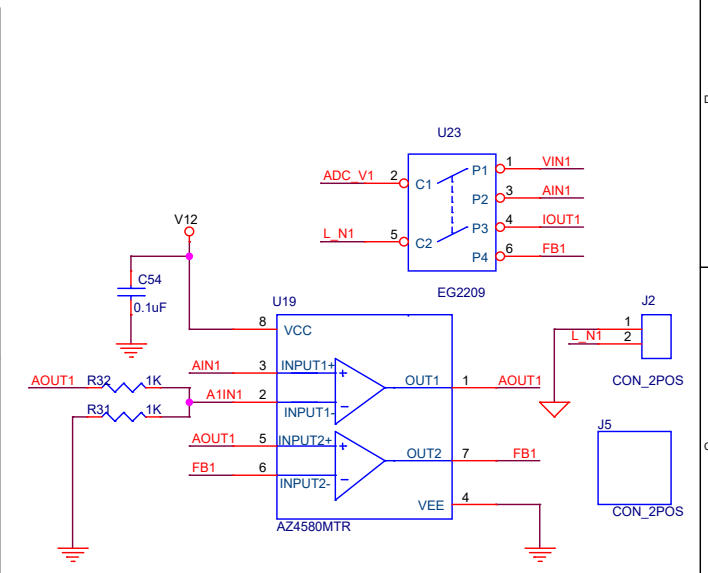
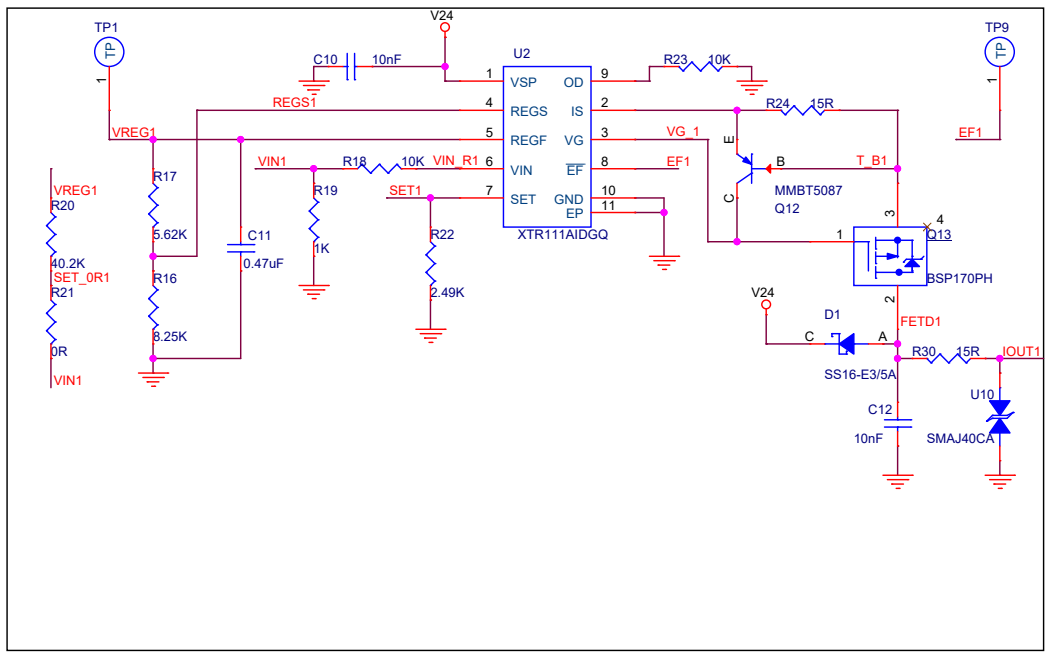
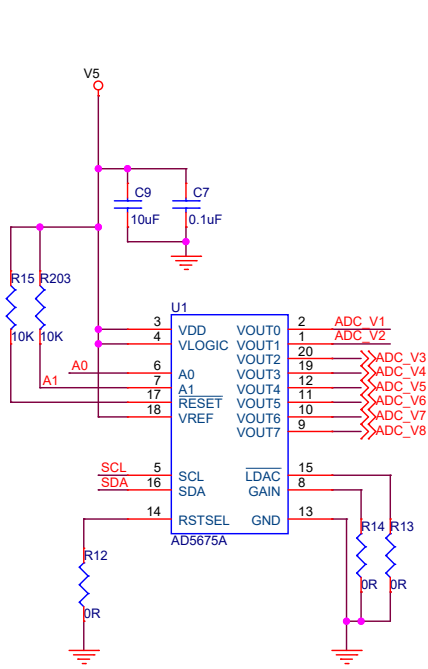


# ANALOG OUTPUT MODULE PAGE - 1



Title		
ANALOG OUTPUT MODULE - 1		
Size	Document Number	Rev
B	<Doc>	A
Date:	Wednesday, March 22, 2017	Sheet 4 of 8