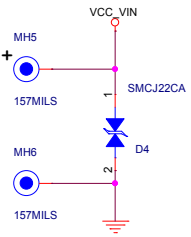
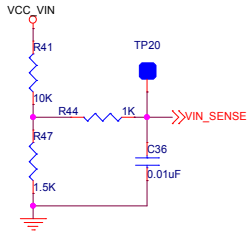


PROTECTION & SENSE CIRCUIT

Power Input



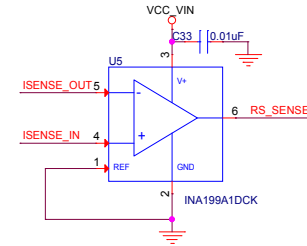
Input Voltage Sense



Current Shunt

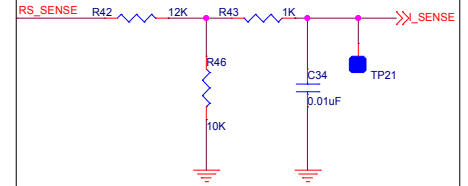


Current Sense Amp

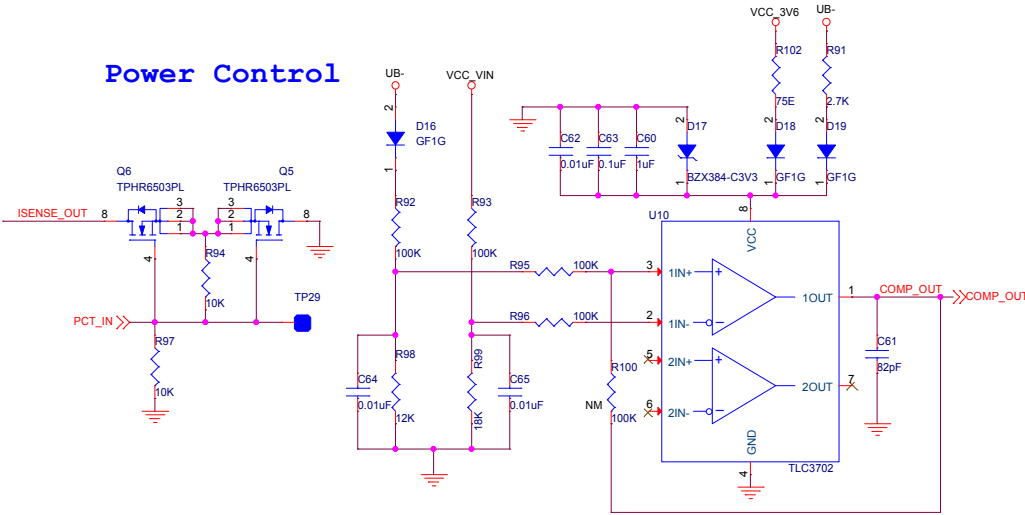


CAD Note-
Pin U5.4 and U5.5 should be as close as possible to R40.1 and R40.2 respectively to minimize any resistance in series with the shunt resistor.

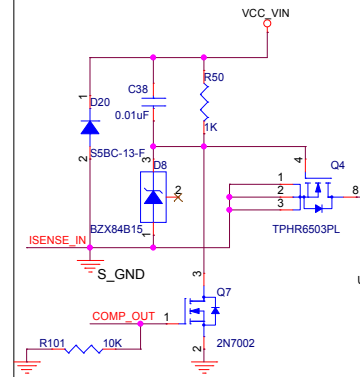
Voltage Input of ADC for Current Sensing



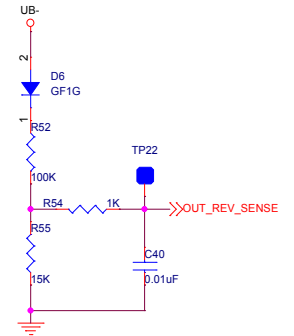
Power Control



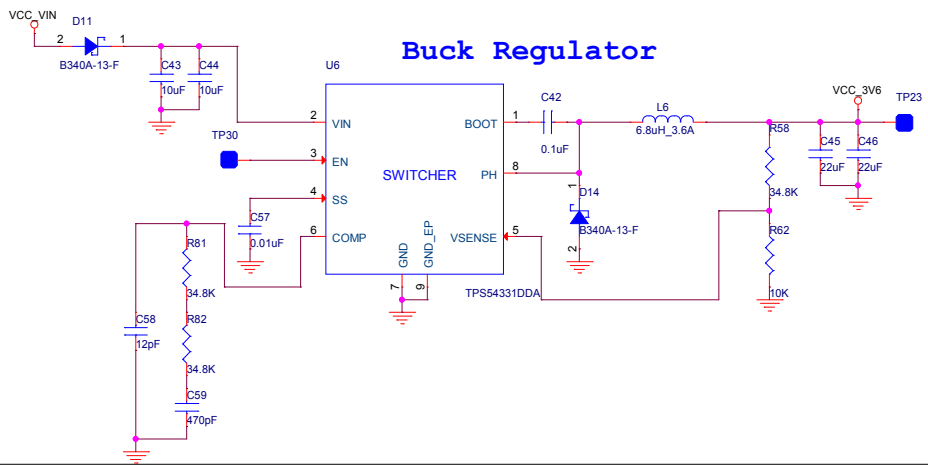
Output Protection



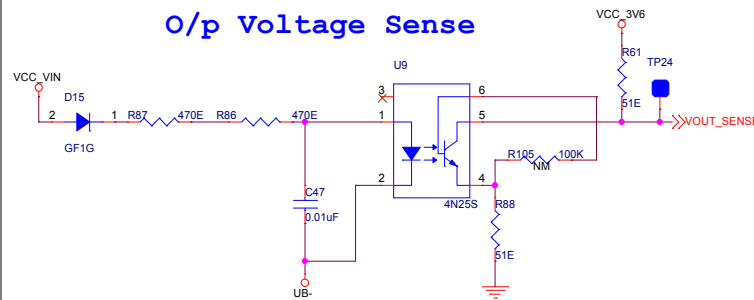
Reverse Voltage Sense



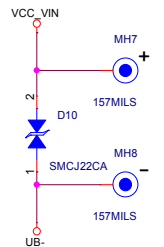
Buck Regulator



O/p Voltage Sense



Power Output



<Core Design>

| | | | |
|--|----------------------|------------------------------------|--------------|
| | A3 | Title : Protection & Sense Circuit | |
| | Fab No : 501-1-00458 | | Rev: B1 |
| | Asy No : 701-1-00536 | | Sheet 6 of 7 |