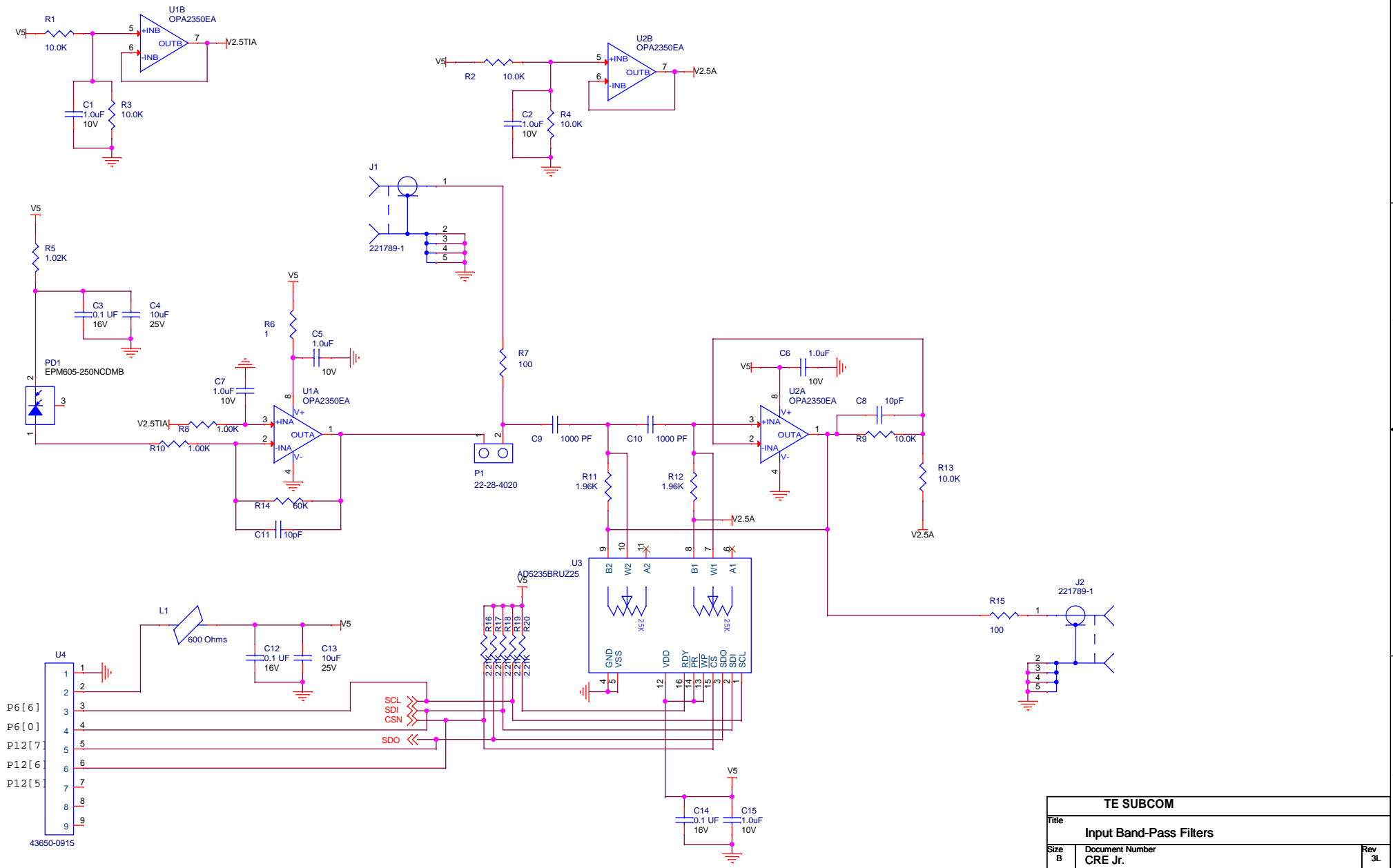


MAKE ALL CAPS COG OR NPO TYPE (EXCEPT BYPASS)



TE SUBCOM		
Title	Input Band-Pass Filters	
Size B	Document Number	Rev 3L
	CRE Jr.	
Date:	Friday, June 24, 2016	Sheet 1 of 1