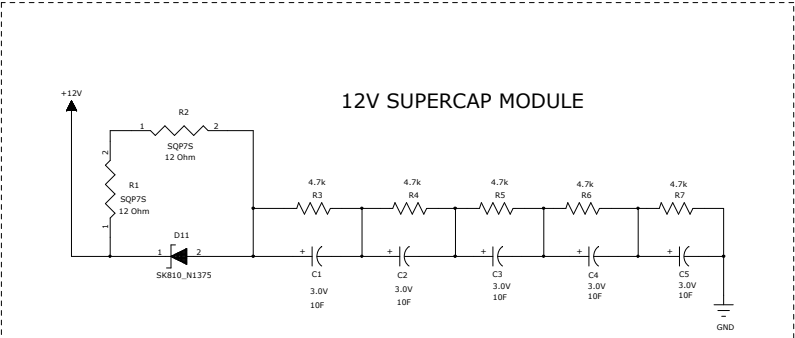
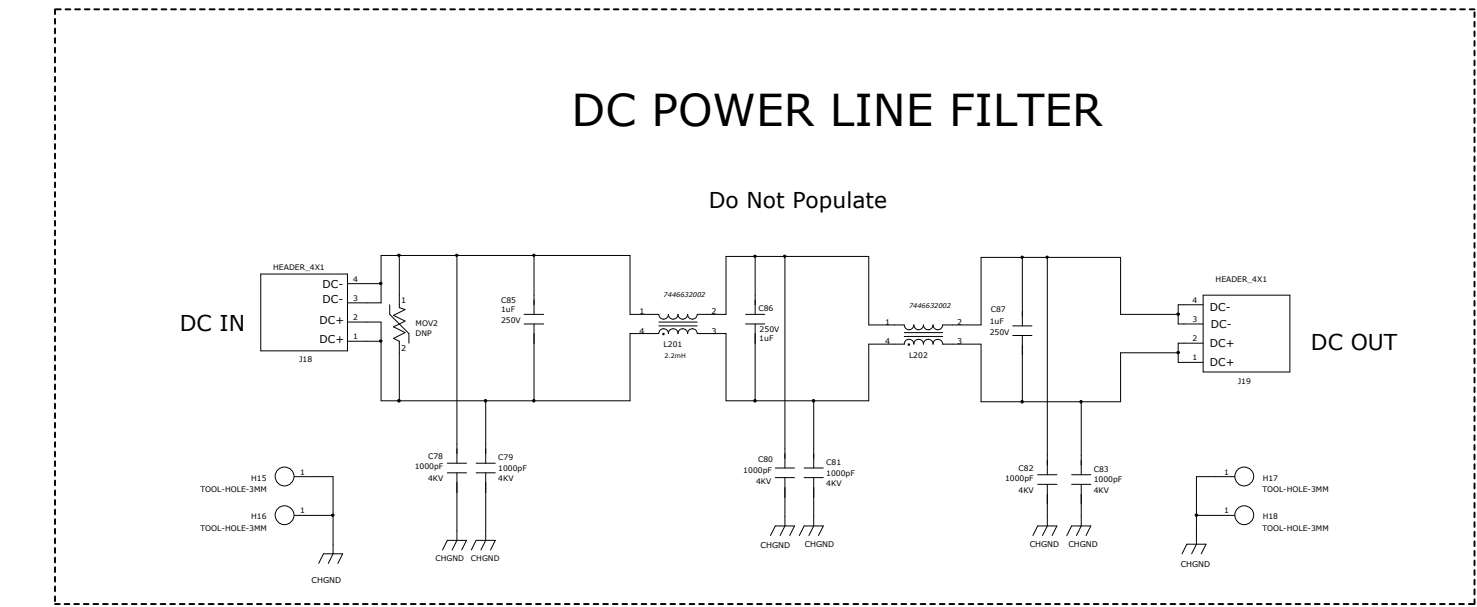
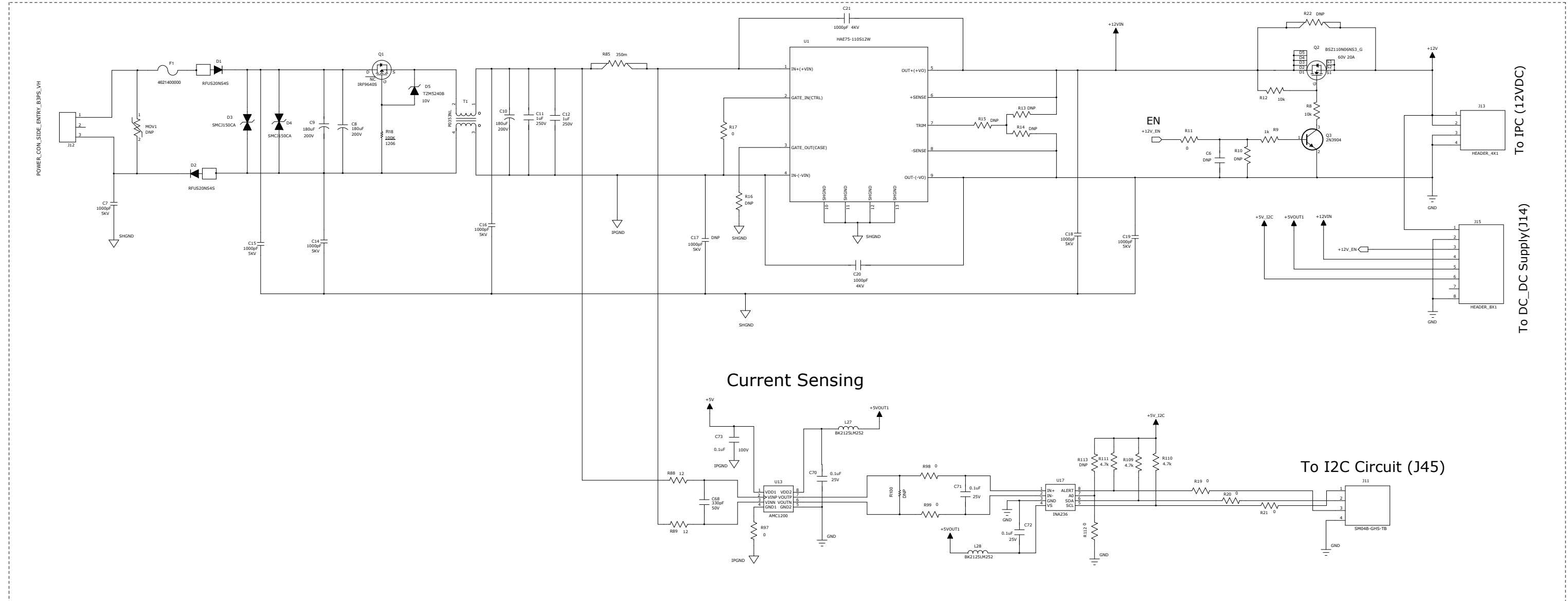


REVISION RECORD			
LTR	ECO NO:	APPROVED:	DATE:



Vltg Sply =12V R1=12 R2=12

Charging period, t	Charge Hold, V	Power hold period, t
2 mins	10.8V	2.5s
3 mins	11.5V	4.8s
4 mins	11.75V	7.1s
5 mins	12V	8s

MOUNTING HOLE

The mounting hole diagram shows four holes (H1, H2, H3, H4) arranged in a 2x2 grid. H1 and H2 are on the left, H3 and H4 are on the right. H1 and H3 are 3MM apart, H2 and H4 are 3MM apart. The holes are labeled as TOOL-HOLE-3MM.

DRAWN: Ku		DATED: 11/04/2023	
CHECKED: Nelson		DATED: 31/07/2023	
QUALITY CONTROL:		DATED:	
RELEASED:		DATED:	

COMPANY: RFNet Technologies Pte Ltd			
TITLE: DC Power Supply			
CODE:	SIZE:	DRAWING NO:	REV:
D	SCH-1096		00

SCALE: SHEET: 3 of 8