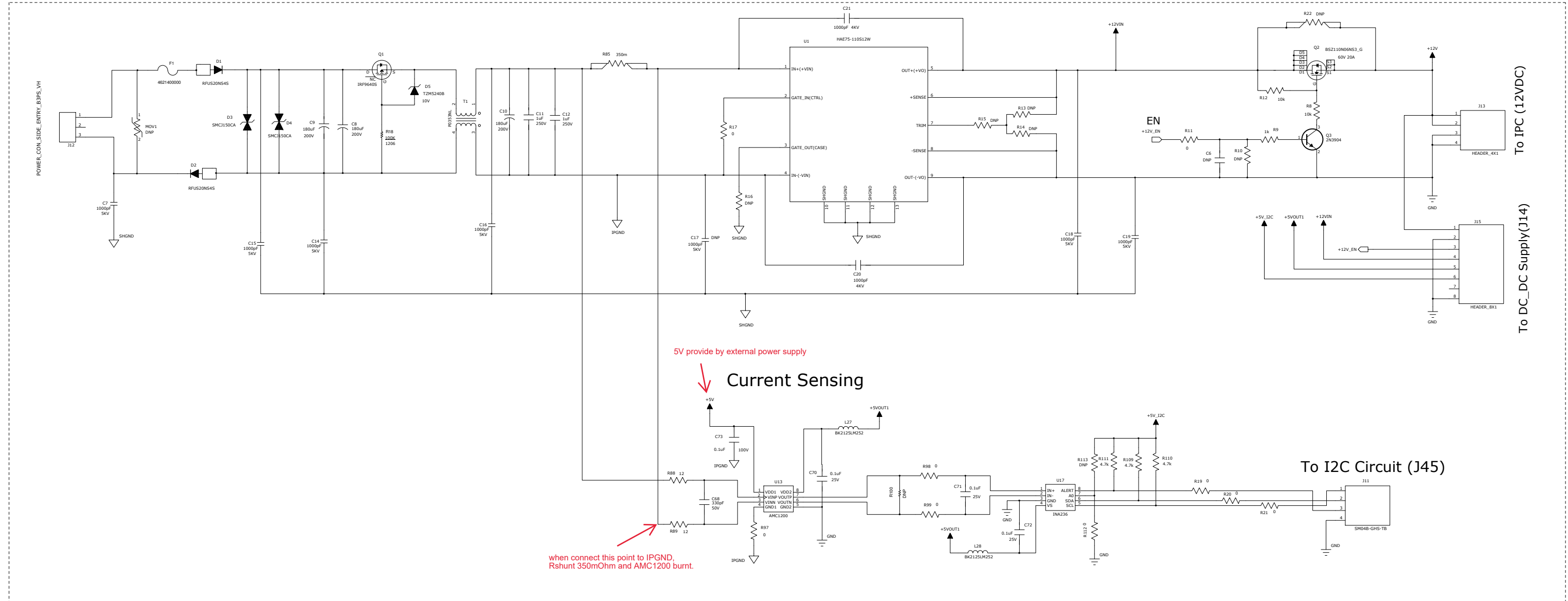


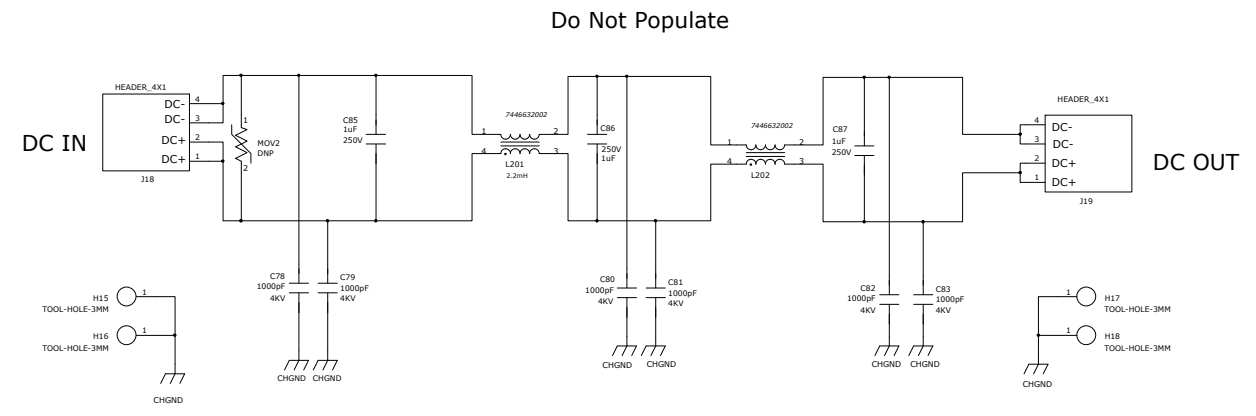
REVISION RECORD			
LTR	ECO NO:	APPROVED:	DATE:



5V provide by external power supply
Current Sensing

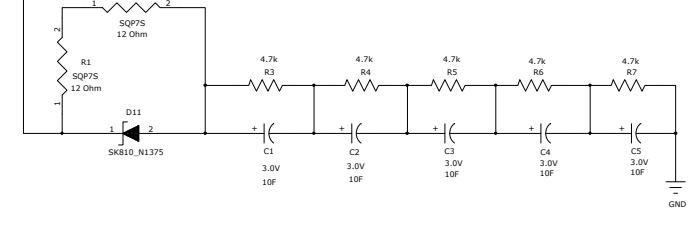
when connect this point to IPGND, Rshunt 350mOhm and AMC1200 burnt.

DC POWER LINE FILTER



Do Not Populate

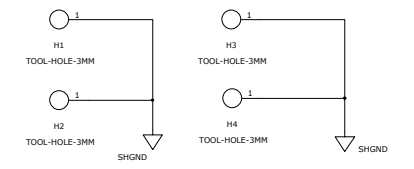
12V SUPERCAP MODULE



Vltg Sply =12V R1=12 R2=12

Charging period, t	Charge Hold, V	Power hold period, t
2 mins	10.8V	2.5s
3 mins	11.5V	4.8s
4 mins	11.75V	7.1s
5 mins	12V	8s

MOUNTING HOLE



DRAWN: Ku		DATED: 11/04/2023		COMPANY: RFNet Technologies Pte Ltd	
CHECKED: Nelson		DATED: 31/07/2023		TITLE: DC Power Supply	
QUALITY CONTROL:		DATED:		CODE:	SIZE:
RELEASED:		DATED:		D	SCH-1096
SCALE:		SHEET: 3 of 8		REV:	00