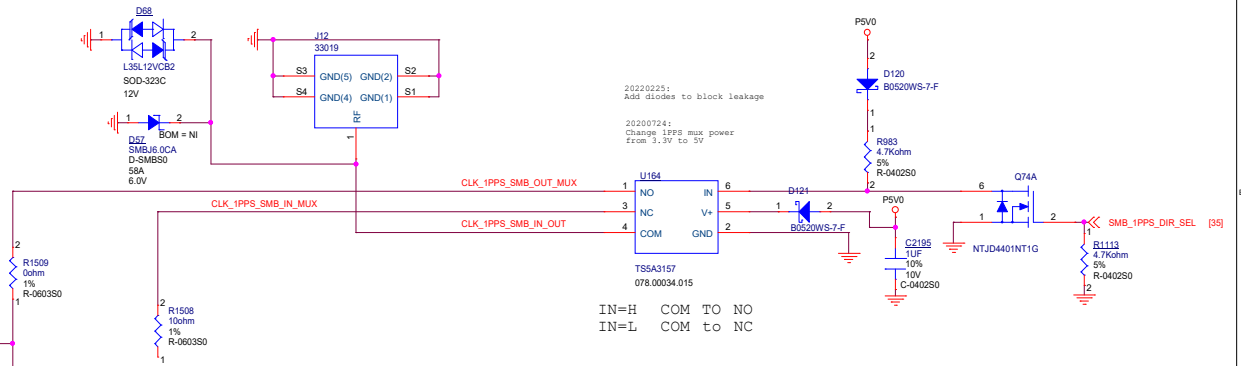


Note: "CLK_DLL1_1PPS_OUT" signal from one DLL1 output



20220225:
Add diodes to block leakage

20200724:
Change 1PPS mux power
from 3.3V to 5V

IN=H COM TO NO
IN=L COM TO NC

1PPS OUT

VOUT=V1 (R1+R2) / R2
R1=510 ohm, R2=1kOhm, Vout=5V,
R1=0 ohm, R2=1kOhm, Vout=3.3V