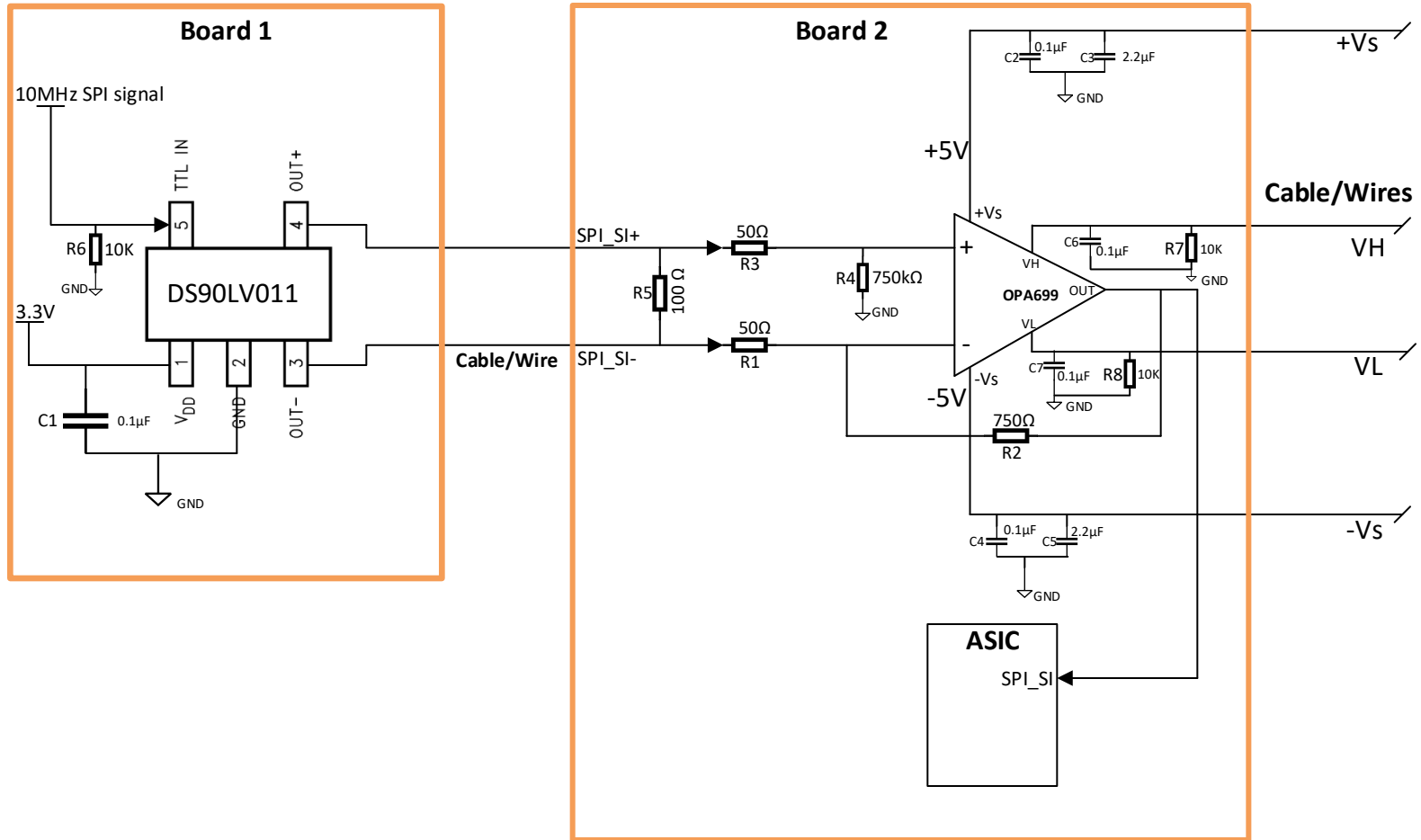


External SPI communication with Level adjustment



Application operation condition:

VH – Changeable from 1.5V to 3.3V with 100mV resolution
 VL - Changeable from -0.5V to 1.5V with 100mV resolution
 - Similar to this circuit, 2 more parallel circuit will be used for SPI_CLK, SPI_CS lines

OPA699 Spec :

Limit Range (WC) = $\pm 3.1V$
 Limiter separation = $VH - VL \geq 400mV$
 Limiter offset (max) = 40mV