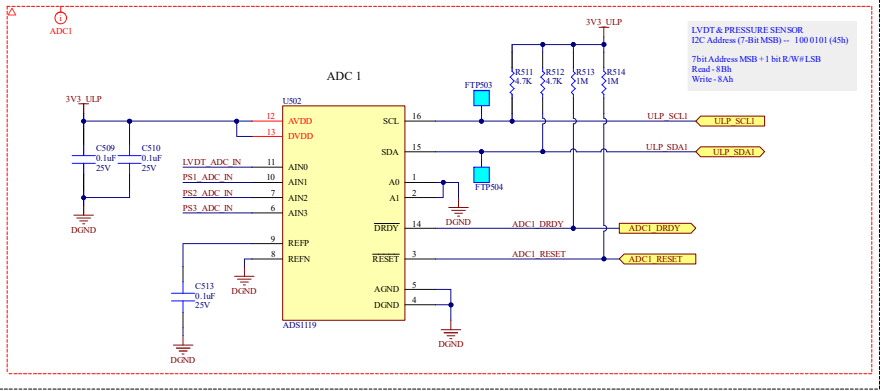
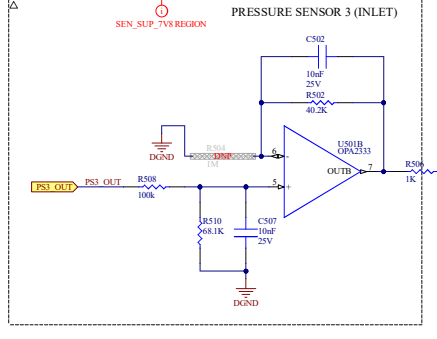
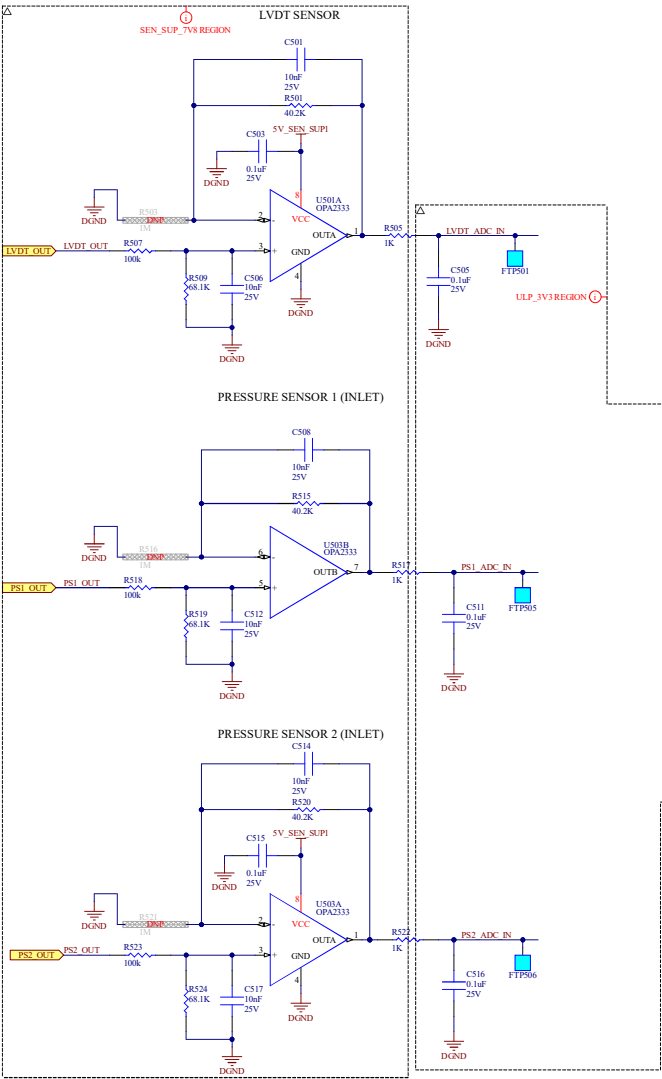


CONFIDENTIAL: This document/program, including the content, is property of Emerson and must be held in strict confidence and properly safeguarded by the recipient at all times. It may not be copied or reproduced, or provided or revealed to any other part, except with prior authorization of an appropriate officer of Emerson and any authorized copy or reproduction must include this admonition. The recipient may use the same only for the purpose for which Emerson has provided it to the recipient. The document must be returned to Emerson upon request. By accepting this document/program, the recipient agrees to the foregoing.



UNLESS OTHERWISE SPECIFIED		EMERSON		TITLE	
TOLERANCE: +/-		© 2023-24		MAIN BOARD	
SURFACE FINISH: Ra		APPROVED BY		SHEET-10_SENSORS SCC - LVDT, PS1, PS2, PS3.SchDoc	
BREAK SHARP CORNERS: MAX		DRWG STATUS:		TYPE: TBD	
DO NOT SCALE THIS DRAWING		UNITS: MILLIMETERS		DWN JANARTHANAN	
		ASME Y14.5M		CHKD CHETHAN	
		APPROVED BY		APVD JAWAHAR	
		DRWG NO: ERAA56217		SIZE A3	
		Last Modified: 2024-05-02 8:07:33 PM		SHEET 10 OF 20	
		Template Ver.-1.0, Dt 22-Mar-2023		REV AB	