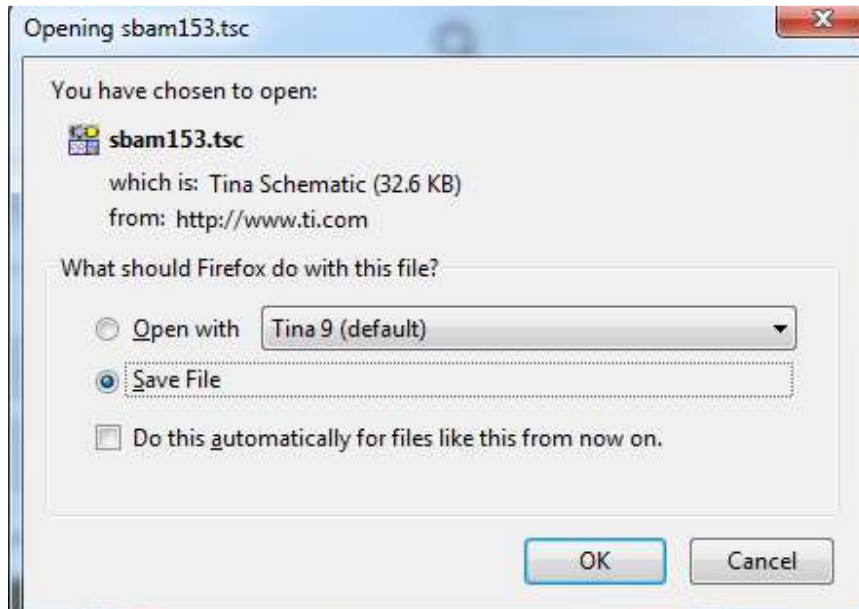
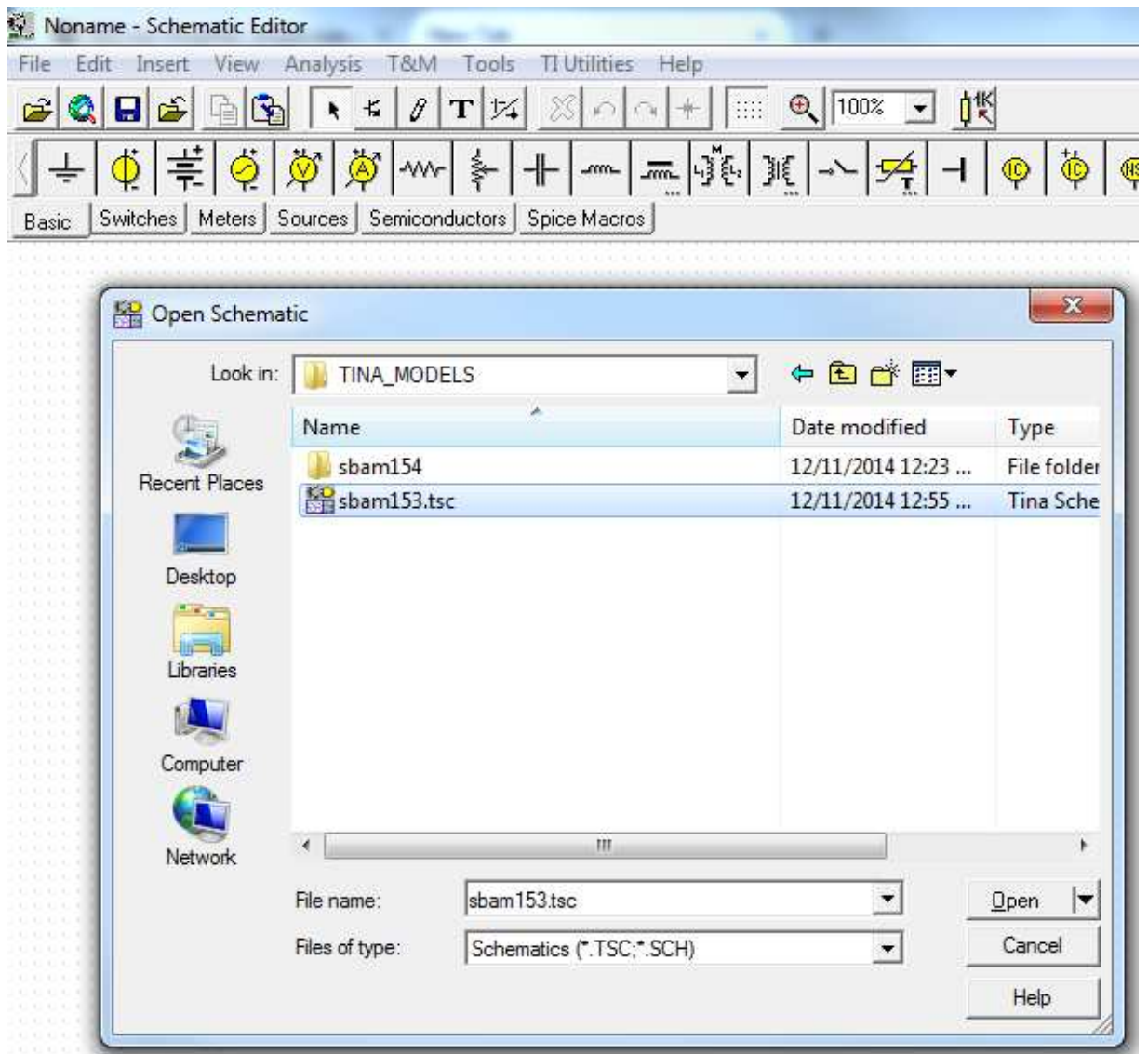


Steps to open AMC1100 model.

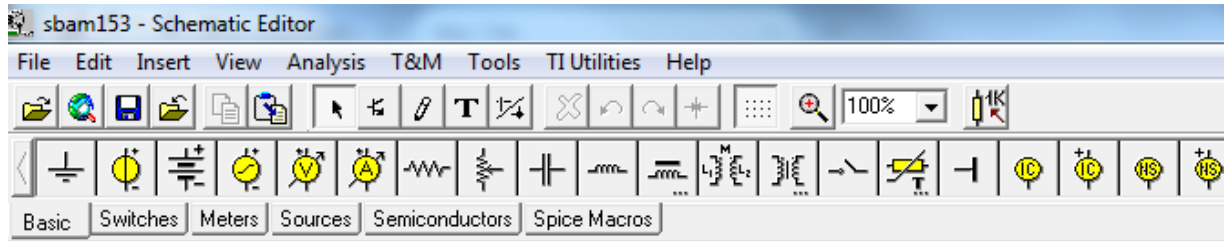
- 1) Download .tsc file from ti.com



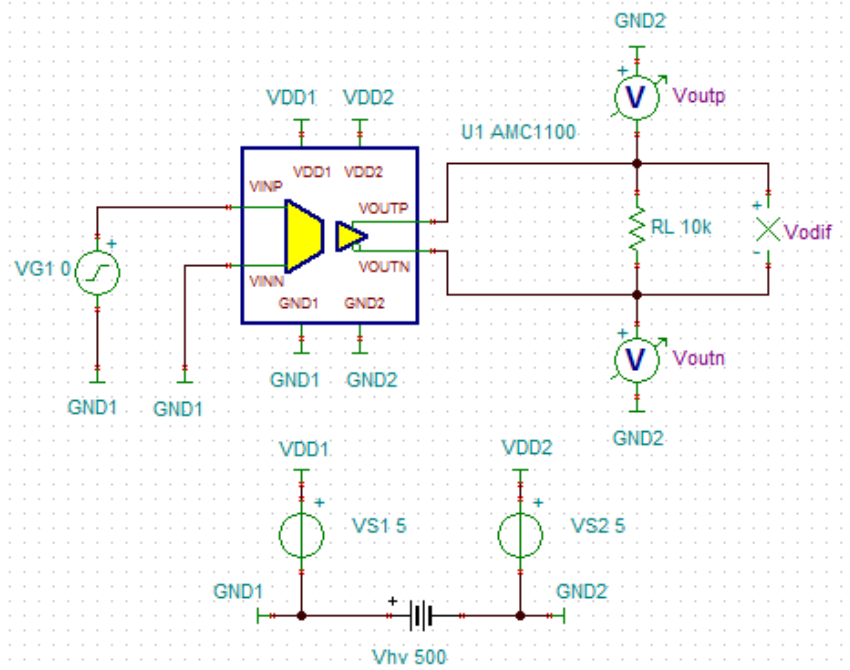
2) Open the schematic with TINA:



- 3) Copy U1 into the schematic where you want to use it.



TINA-TI AMC1100 Reference Design



Vhv is the barrier high voltage