

The following pictures are trying to document the problem that exists on the output of the chip. The oscilloscope is triggering on the channel 1 (Input signal). The output signal (CH2) is shifting its edge all the time! That is bad for the given application!

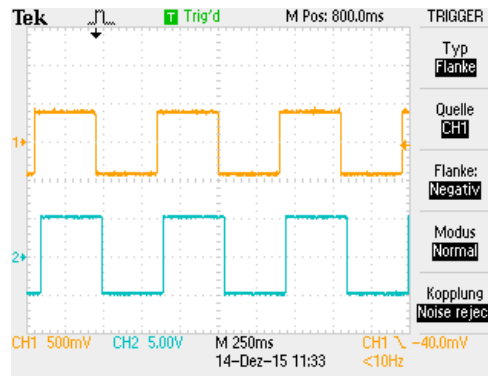
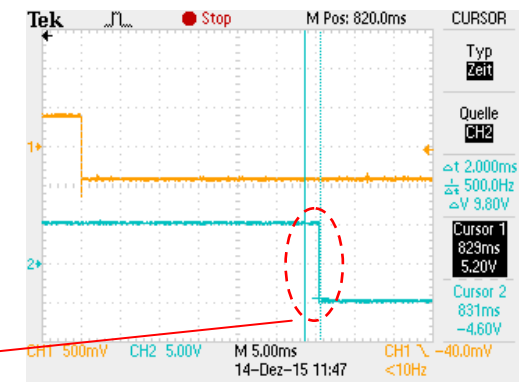
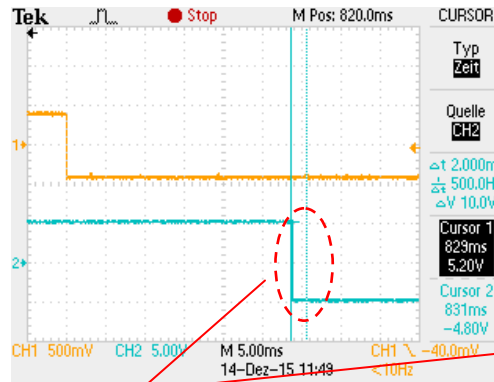
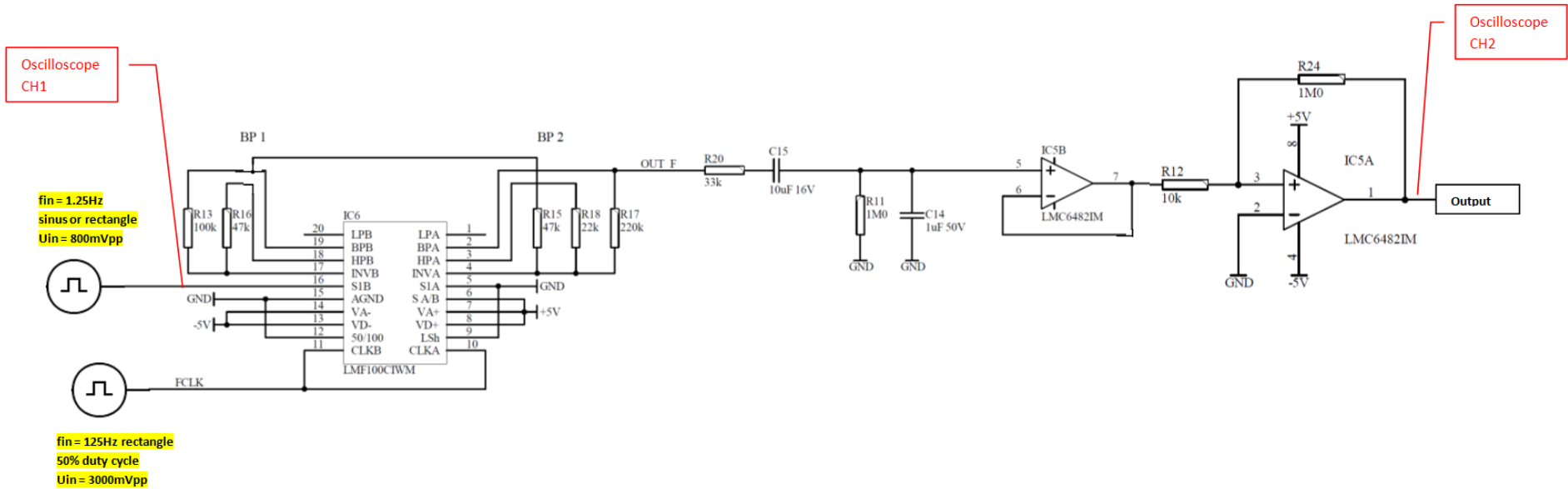


Image 1: Yellow: CH1 / Blue: CH2



Output signal is shifting with a delta of around 2ms!

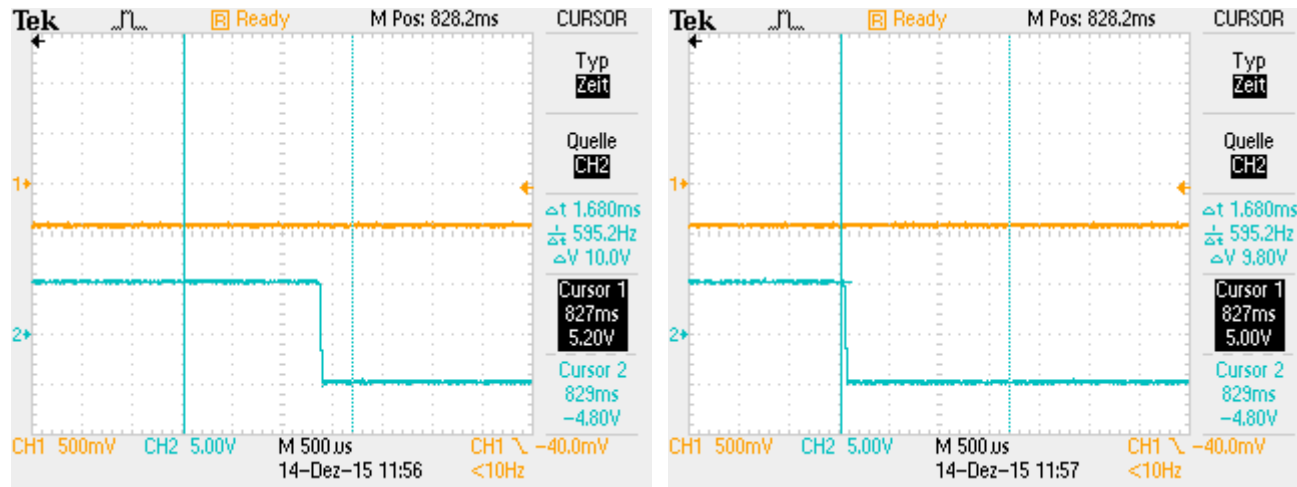


Image 2: Shifting with more zoom