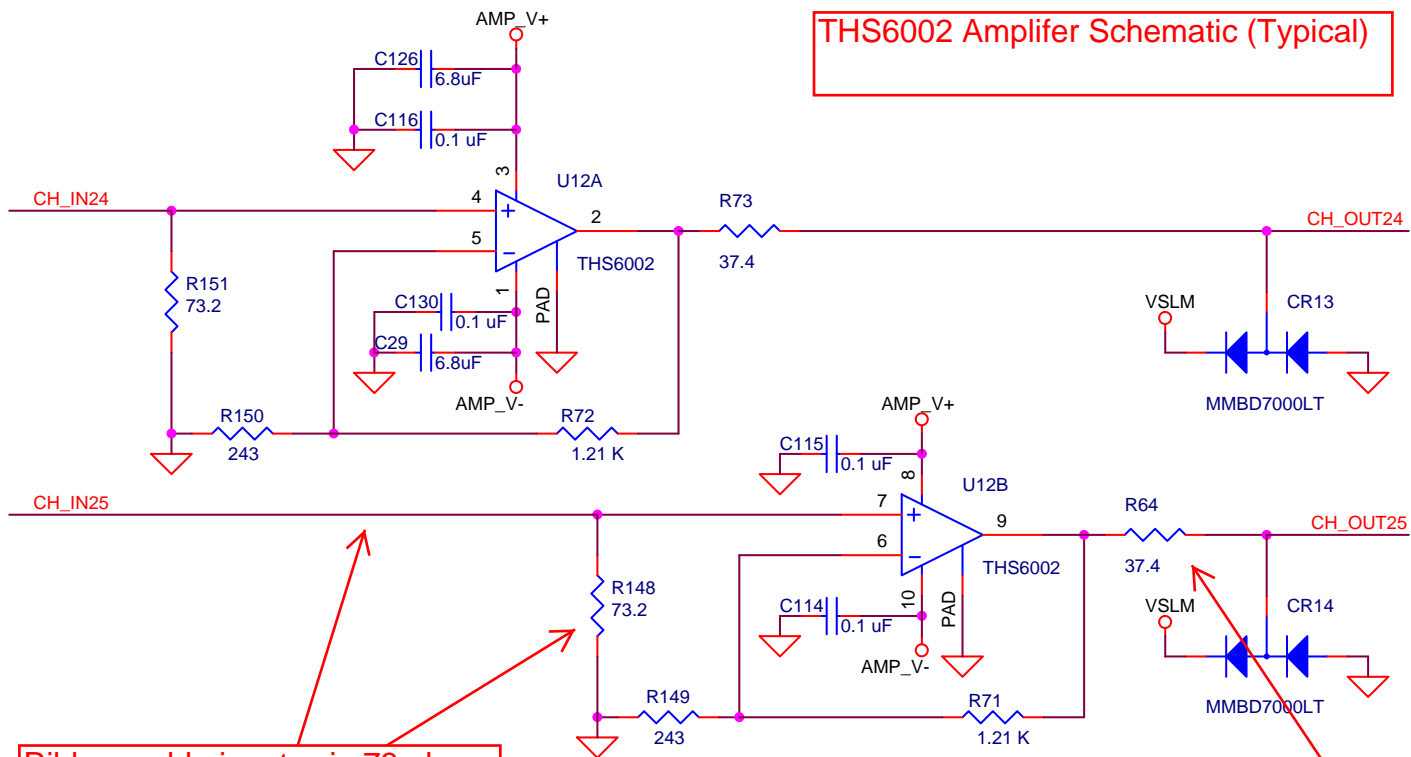


THS6002 Amplifier Schematic (Typical)



Ribbon cable inputs via 73 ohm pcb stripline (from connector). Termination resistors on backside of pcb under amp input pins.

$$\text{Gain} = 6 \left(1 + \frac{1210}{243} \right)$$

Series termination intended for 50 ohm stripline (plus Z_o of amp). Outputs driving a short flex cable to display device via 50 ohm striplines and connector. High impedance load with just stray capacitances. No line terminations at far end.