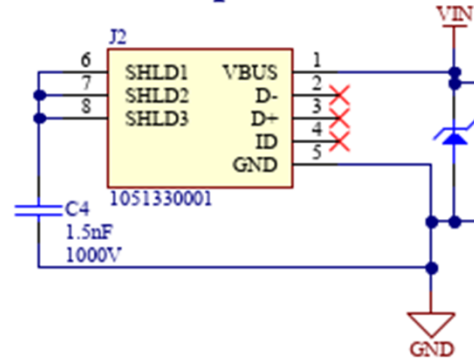
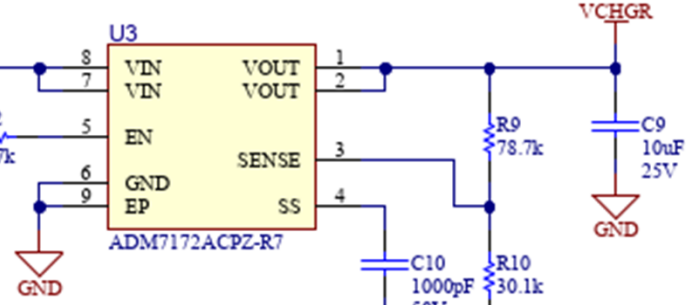


USB Power Input Connector

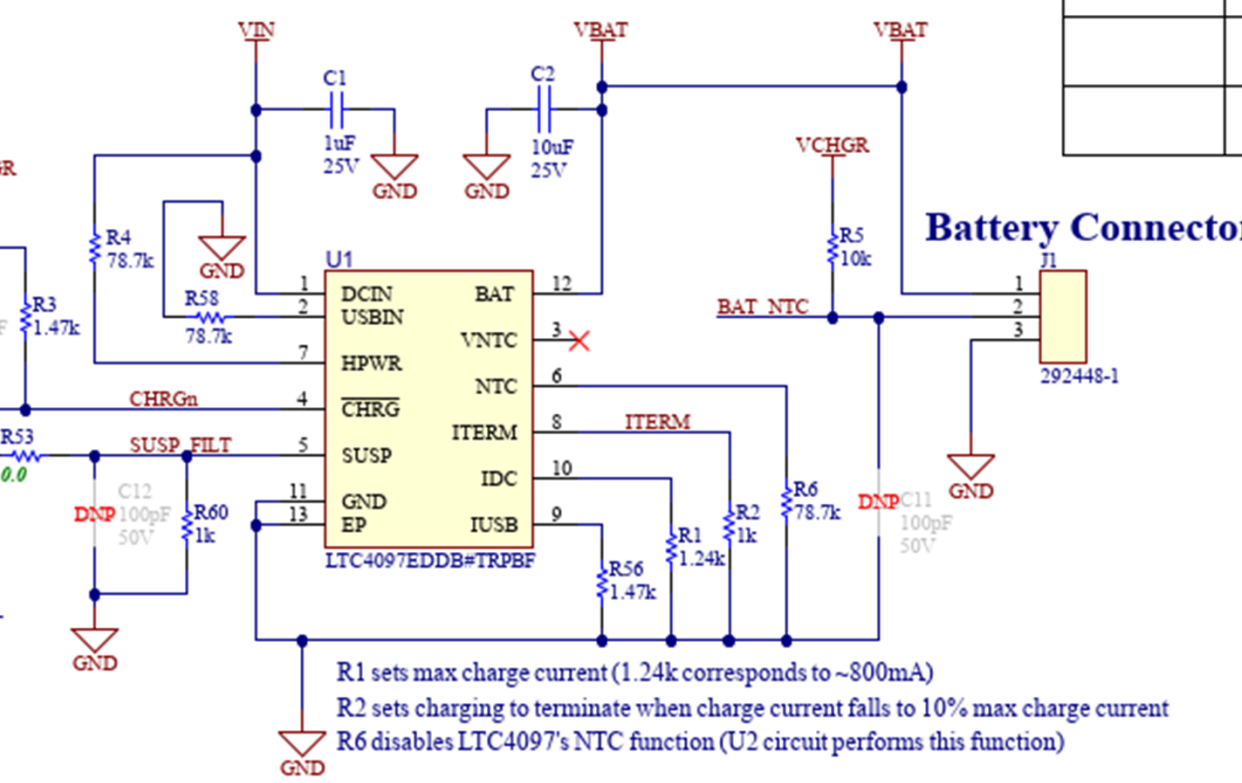


VCHGR LDO

VCHGR = 4.34V nominal

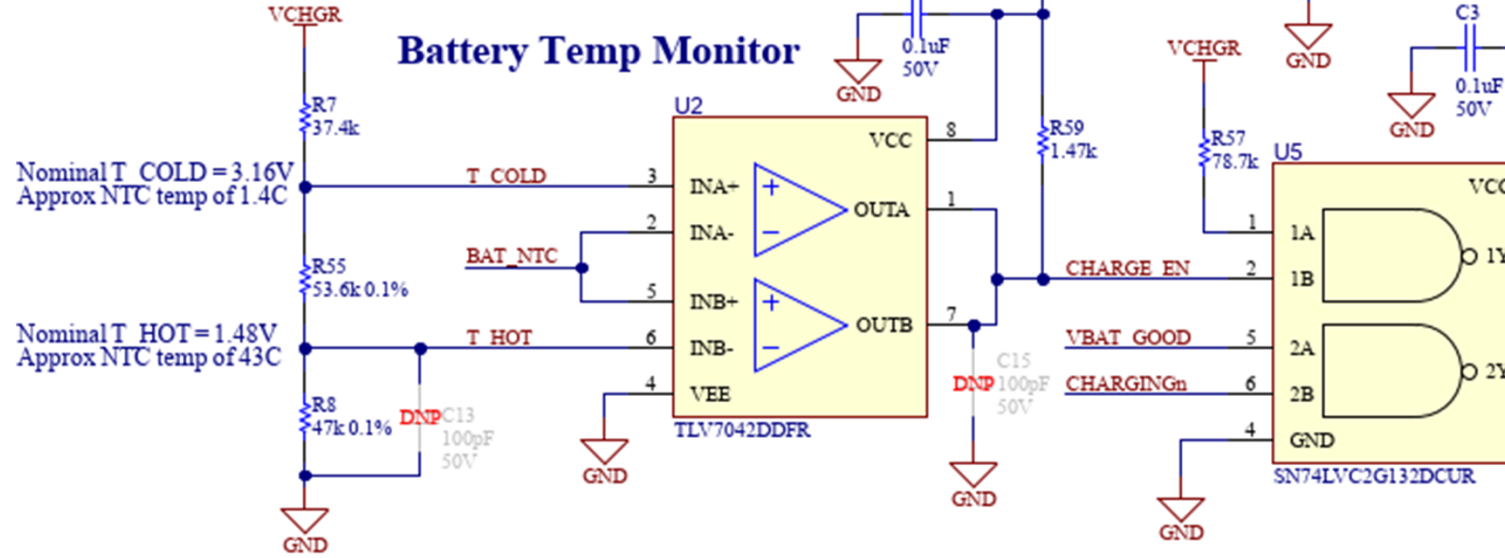


Battery Charge Mgmt



R1 sets max charge current (1.24k corresponds to ~800mA)
 R2 sets charging to terminate when charge current falls to 10% max charge current
 R6 disables LTC4097's NTC function (U2 circuit performs this function)

Battery Temp Monitor



Nominal T_COLD = 3.16V
 Approx NTC temp of 1.4C
 Nominal T_HOT = 1.48V
 Approx NTC temp of 43C

ECO NUMBER	R
	C
	E
	F

Battery Connector

