

# TLV2372 Input Protection

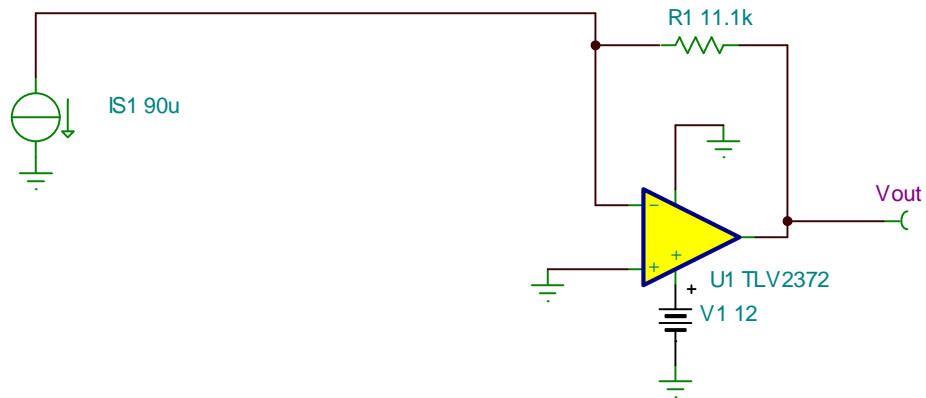
**Tim Green**

**Precision Linear Analog Applications**

**May 21, 2014**

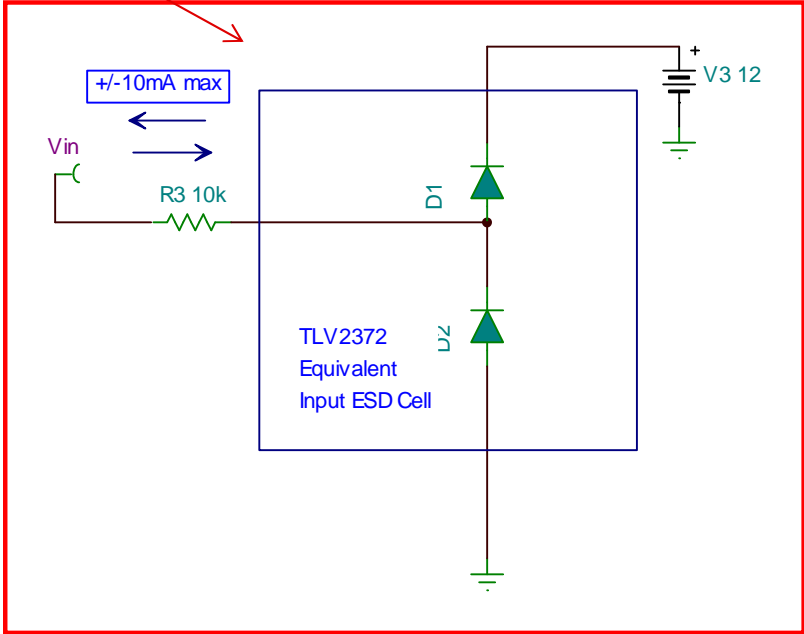
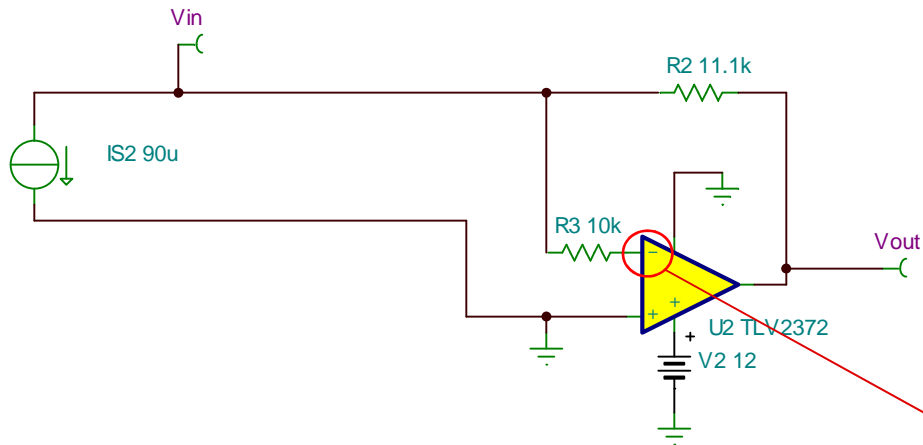
1

# Existing Circuit



Any external diodes added to Vin terminal will have leakage currents greater than IS1

# Recommended Circuit



Will protect for up to 100V continuous on Vin terminal.  
Will not protect from lightning strikes!