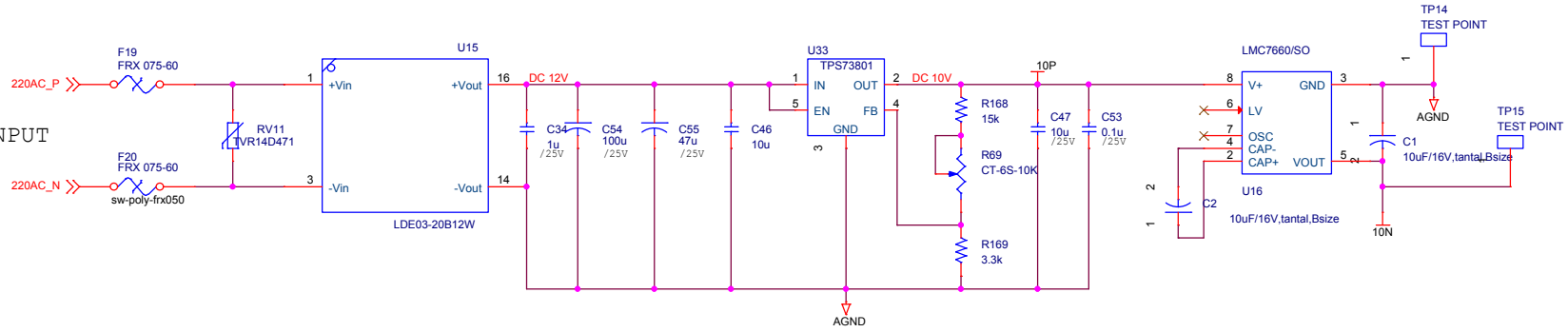
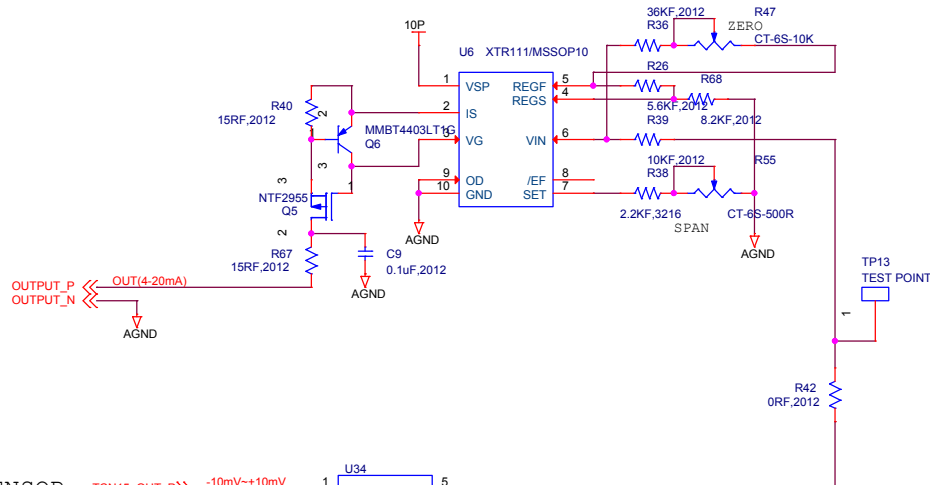


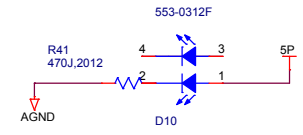
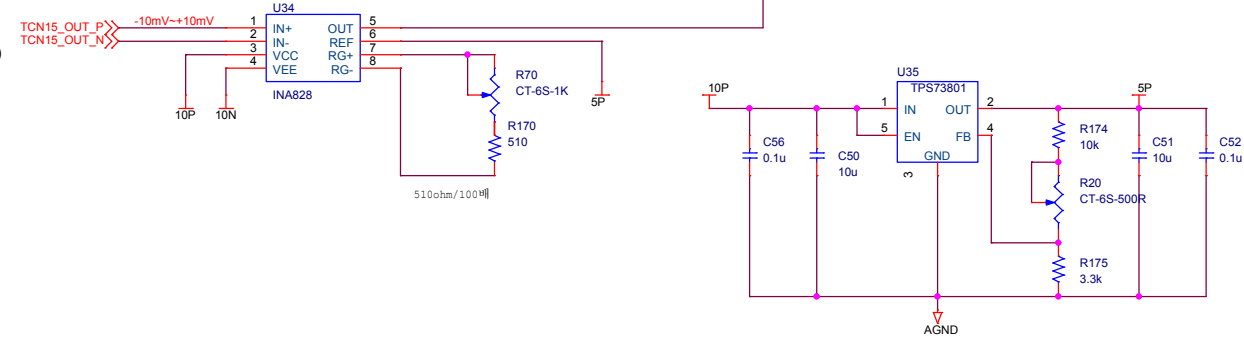
220V AC INPUT



TORQUE SENSOR
OUTPUT (CURRENT)



TORQUE SENSOR
INPUT (VOLTAGE)



Title	<Title>
Size	A3
Document Number	<Doc>
Date:	Tuesday, June 19, 2018
Sheet	1 of 1
Rev	<Rev Code>