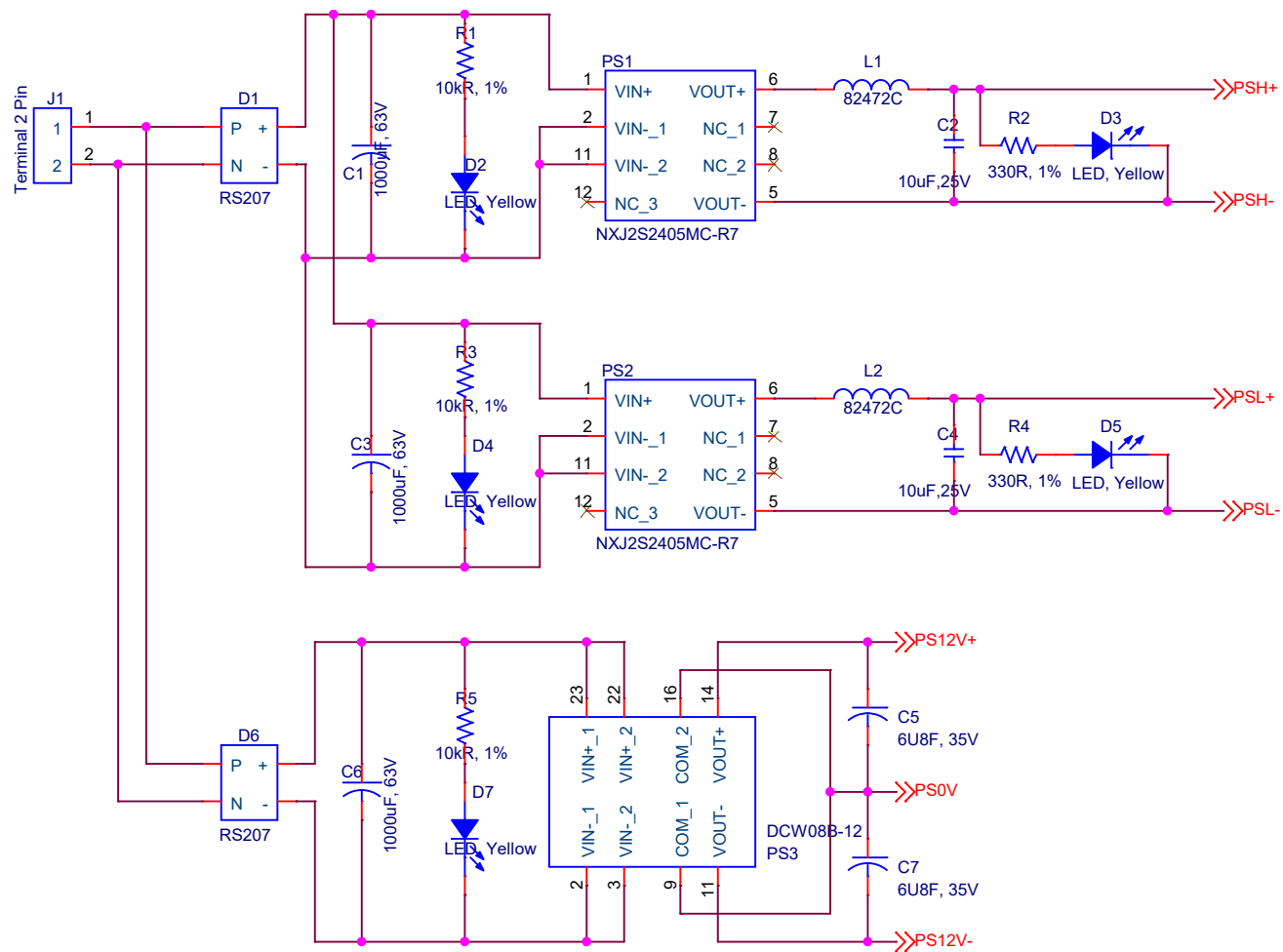
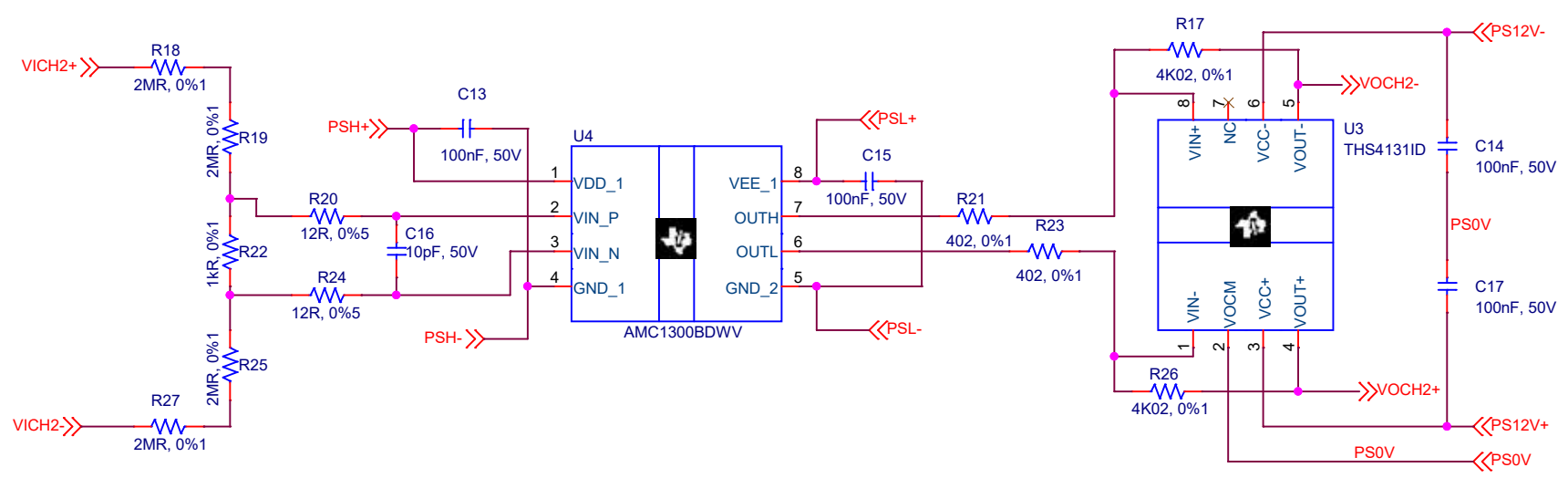
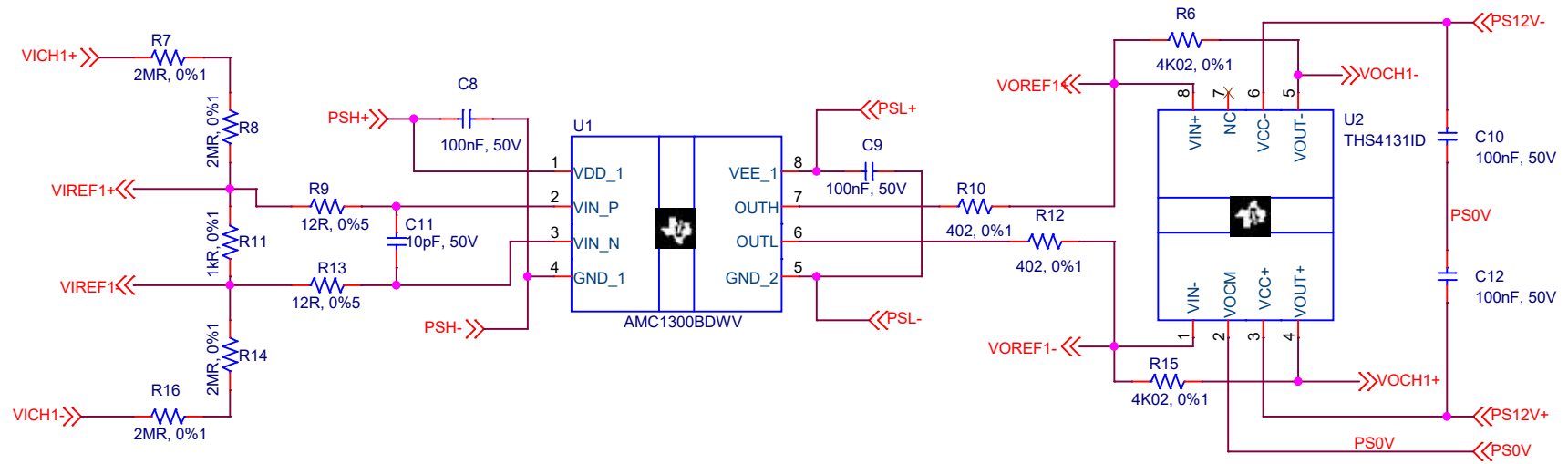


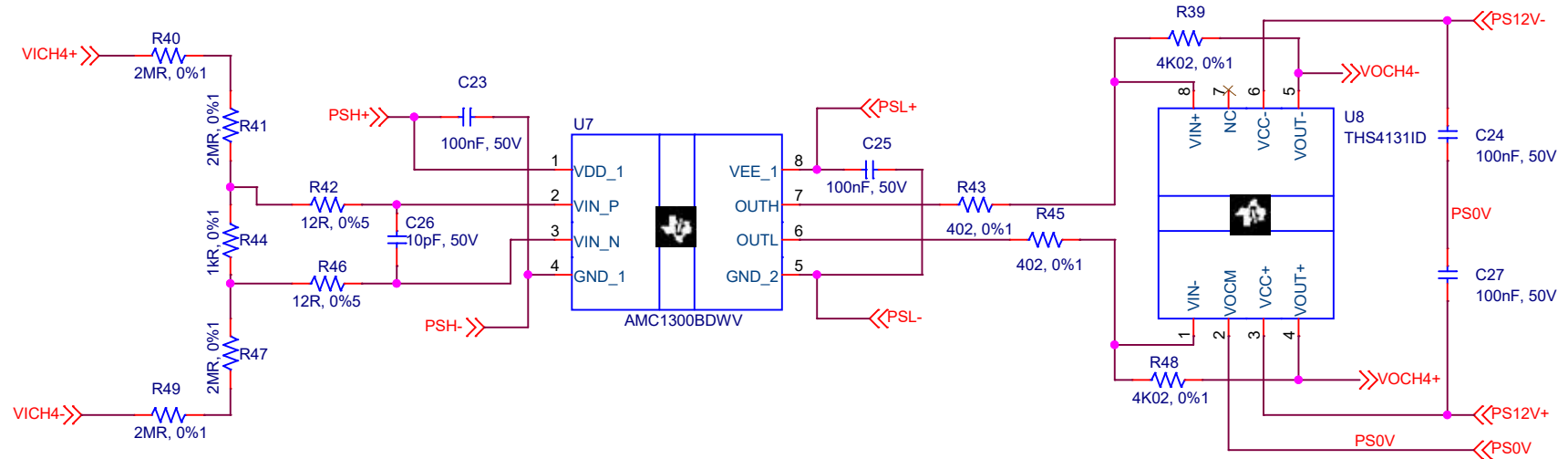
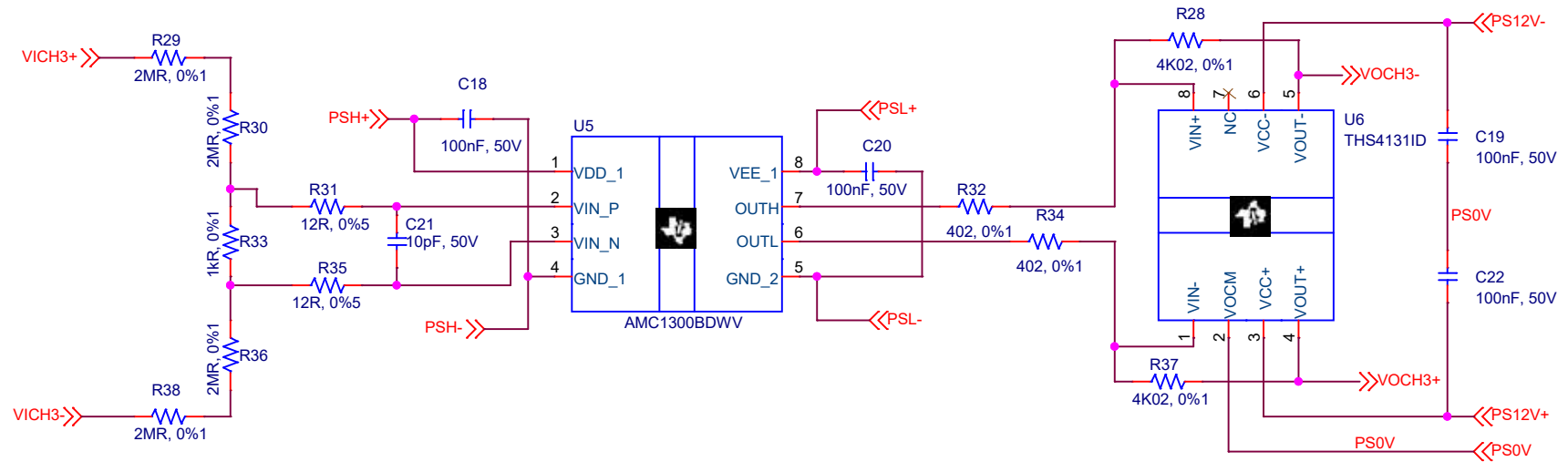
5V Power supplies



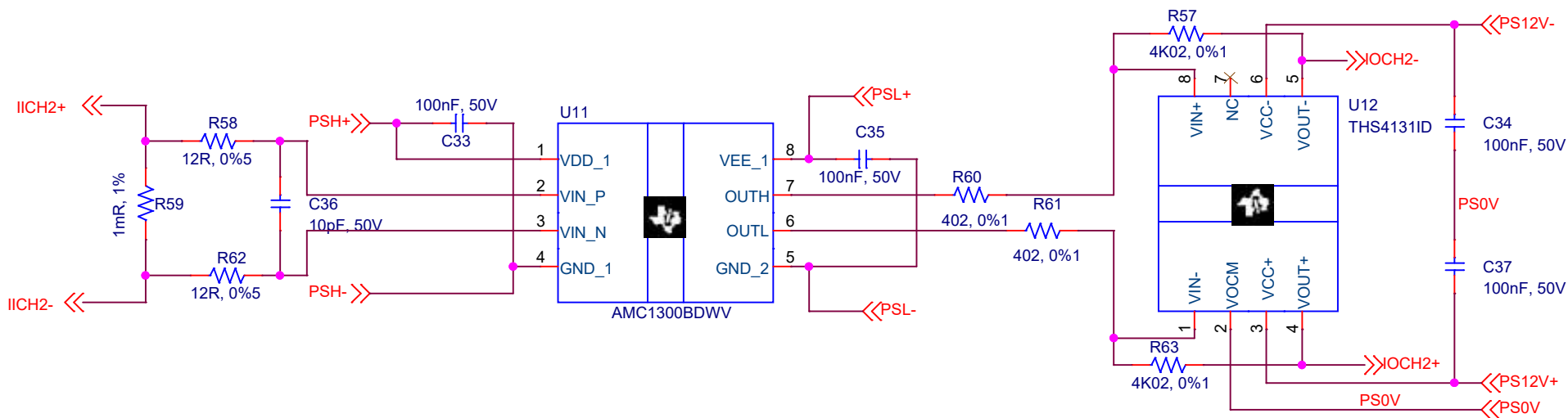
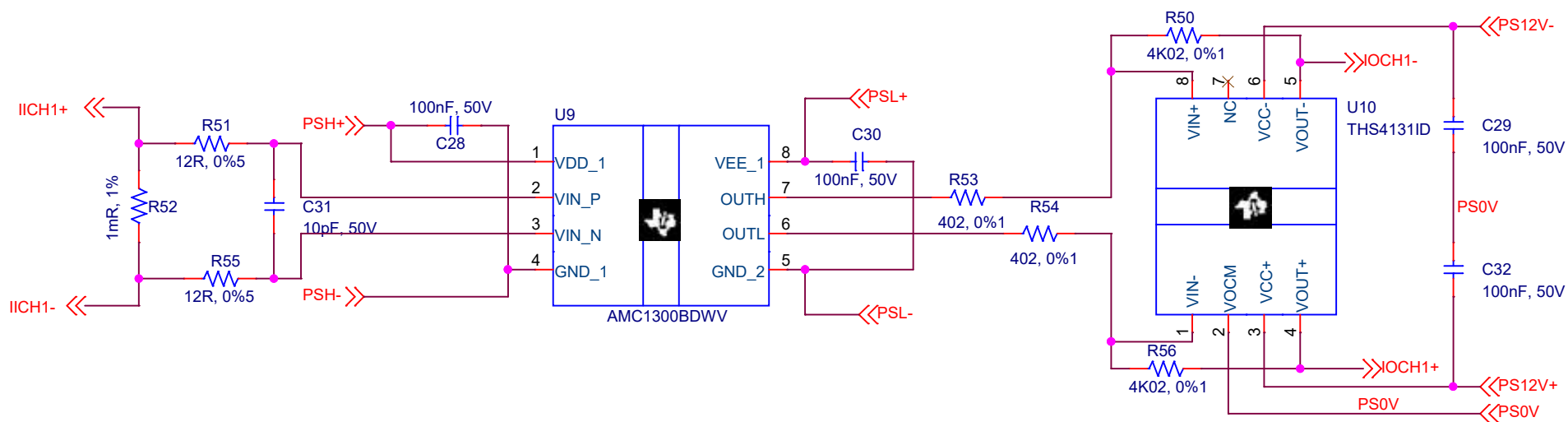
Voltage Measurement - 1



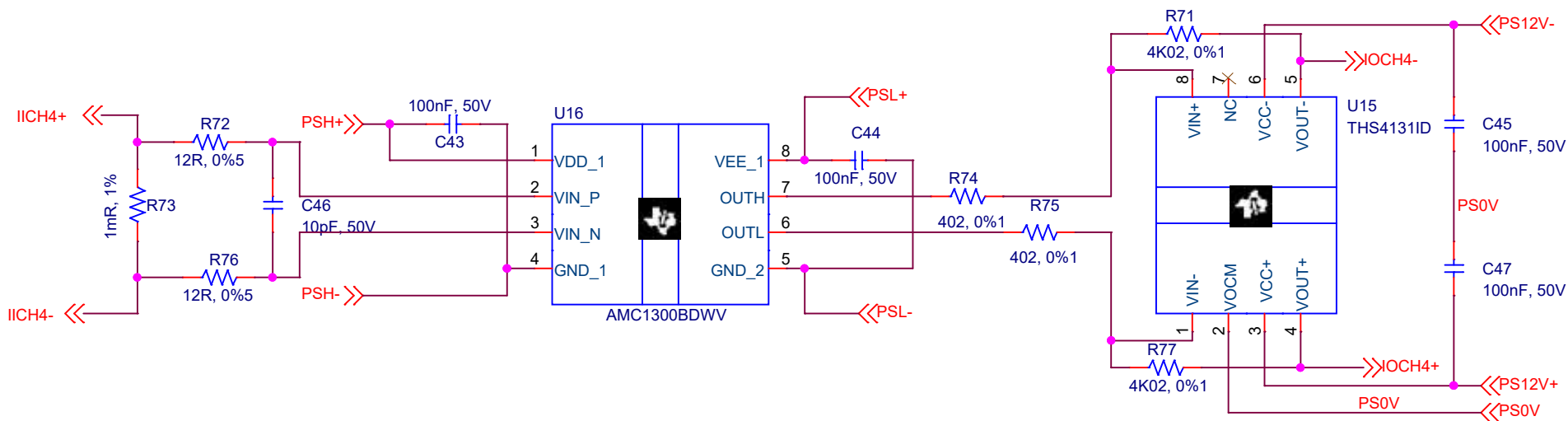
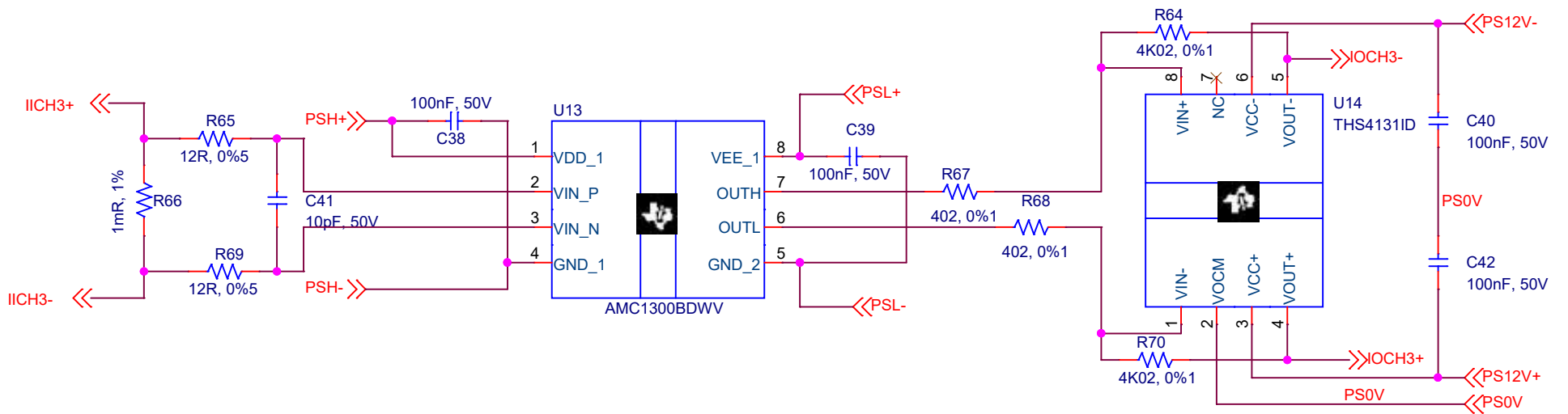
Voltage Measurement - 2



Current Measurement - 1



Current Measurement - 2



Title		
<Title>		
Size	Document Number	Rev
A	<Doc>	<RevCode>
Date:	Monday, November 11, 2019	Sheet 5 of 6

