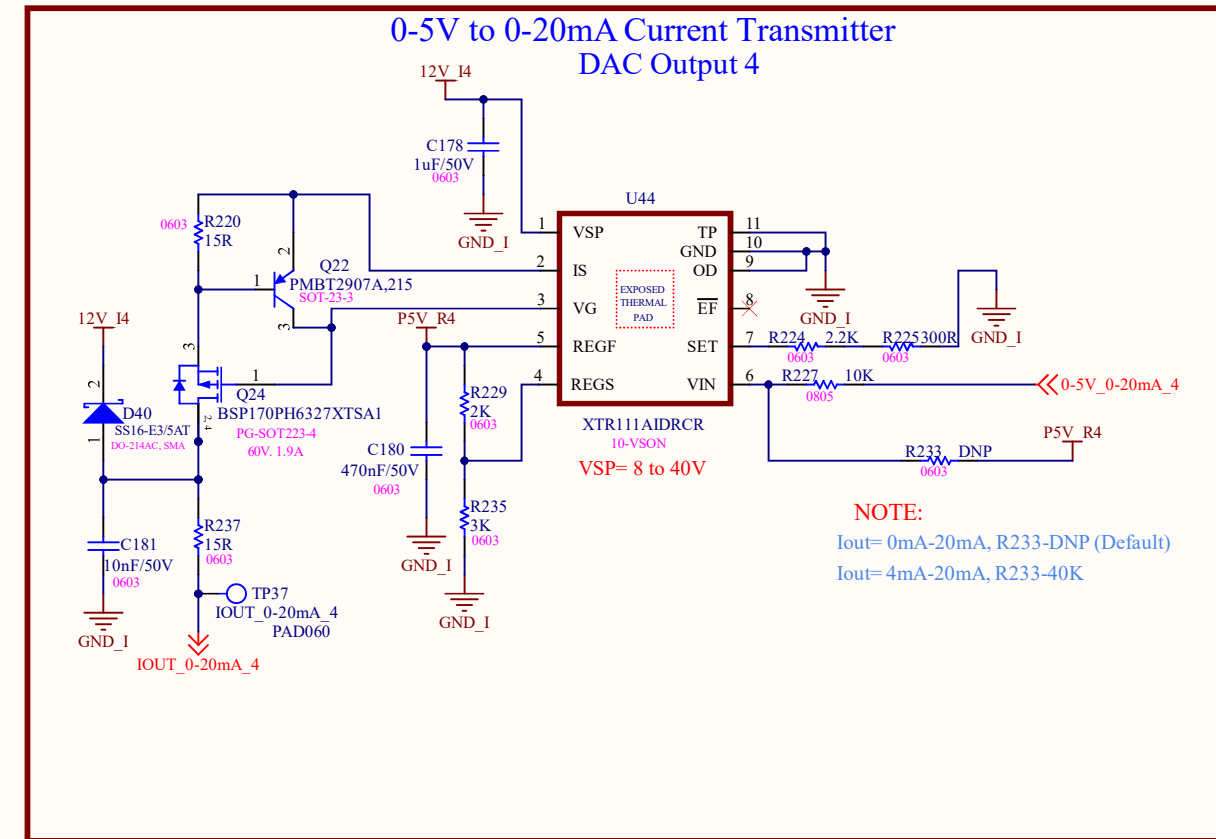
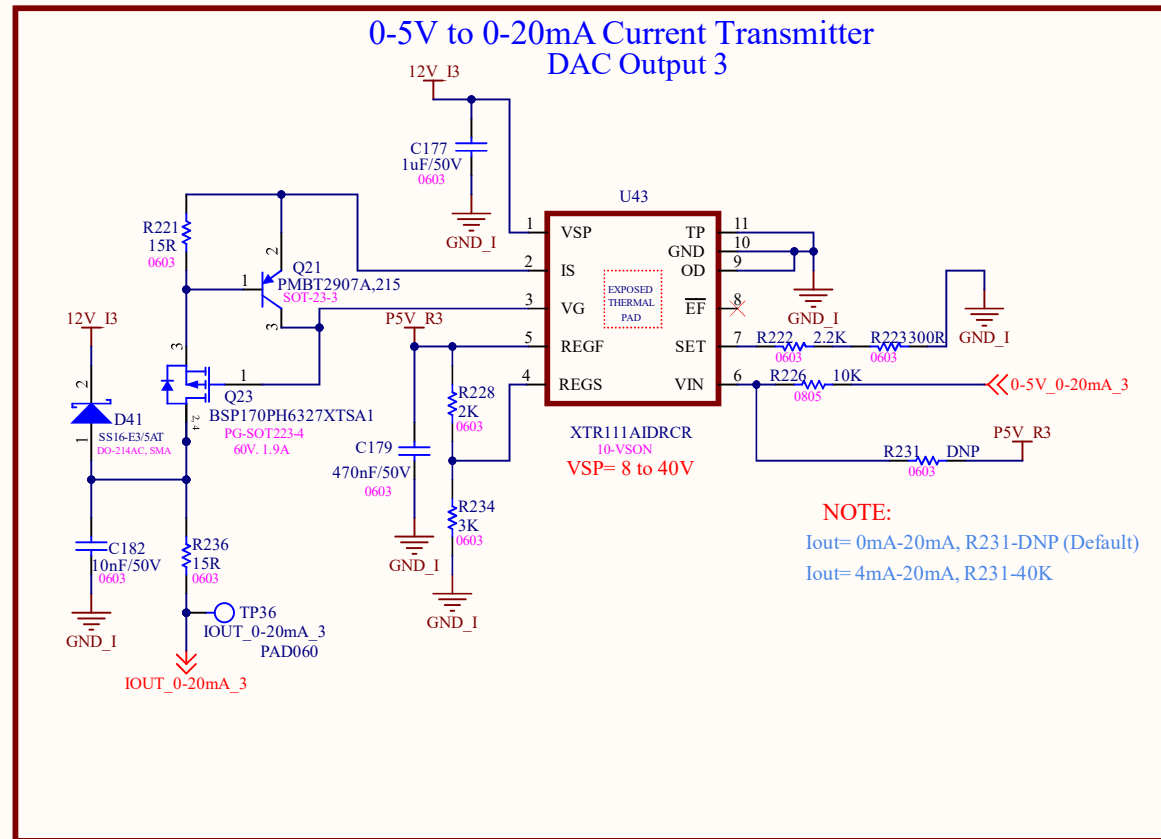
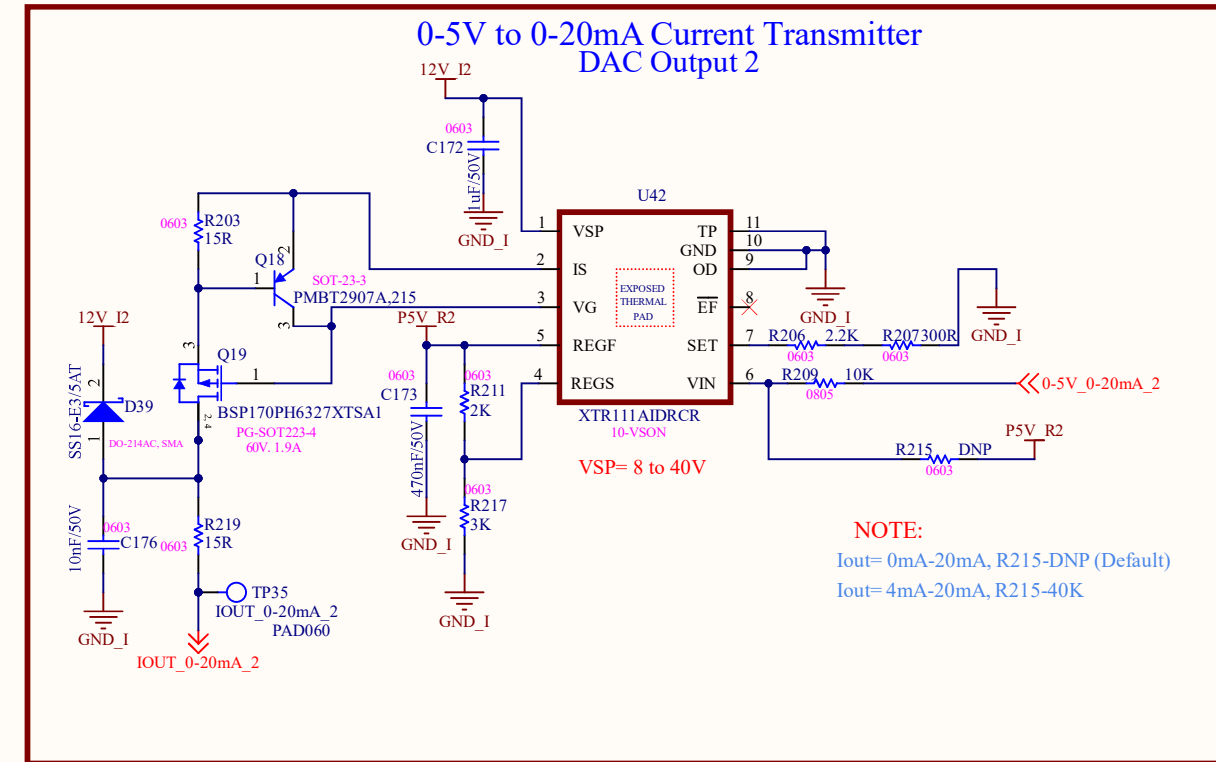
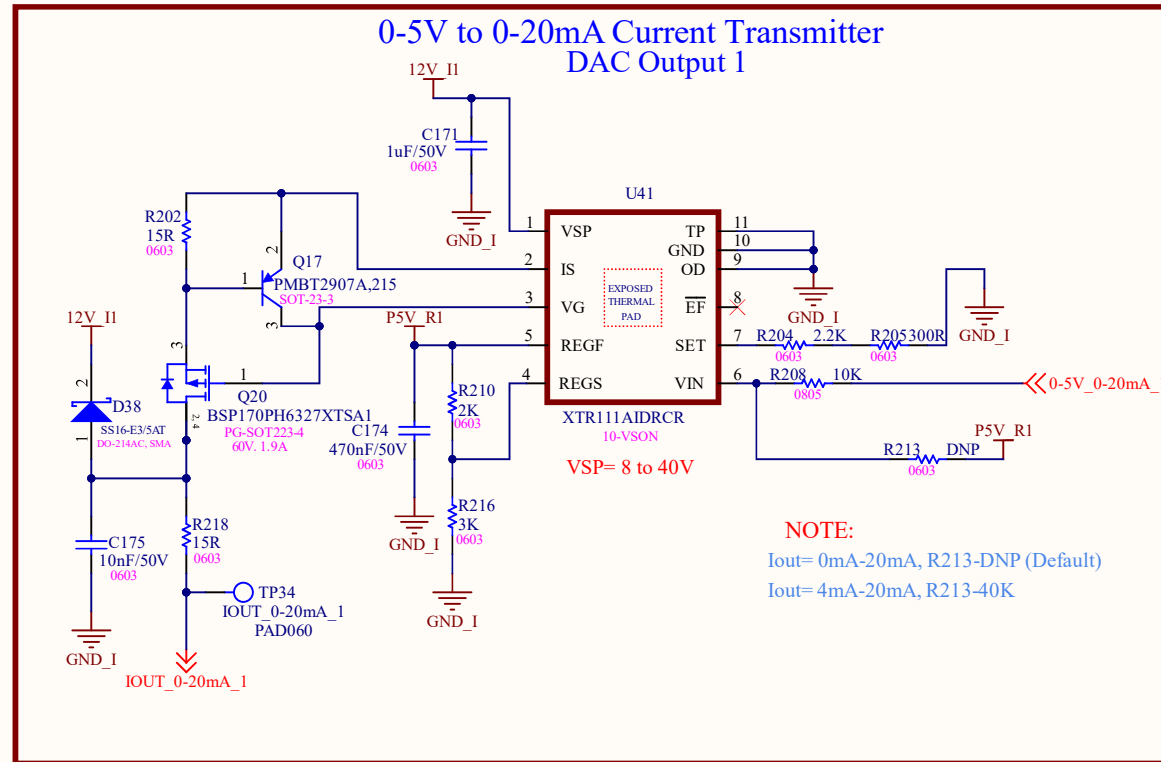
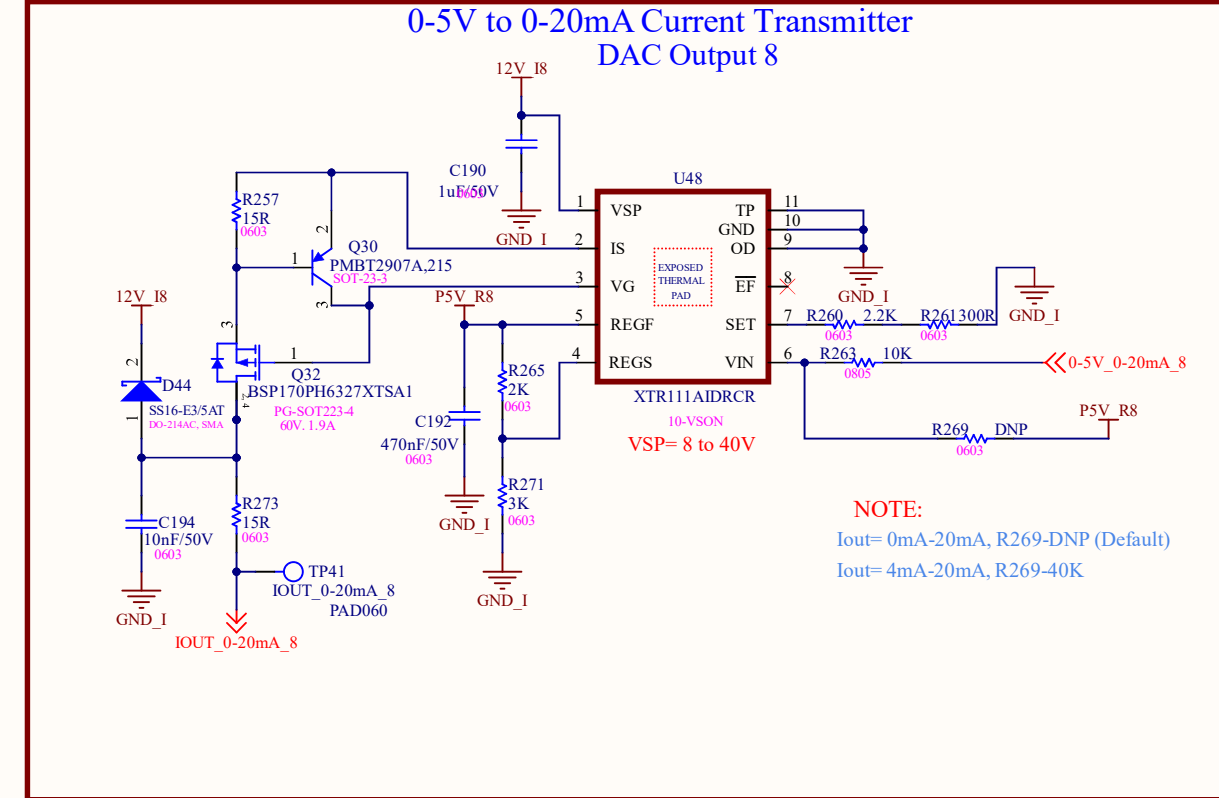
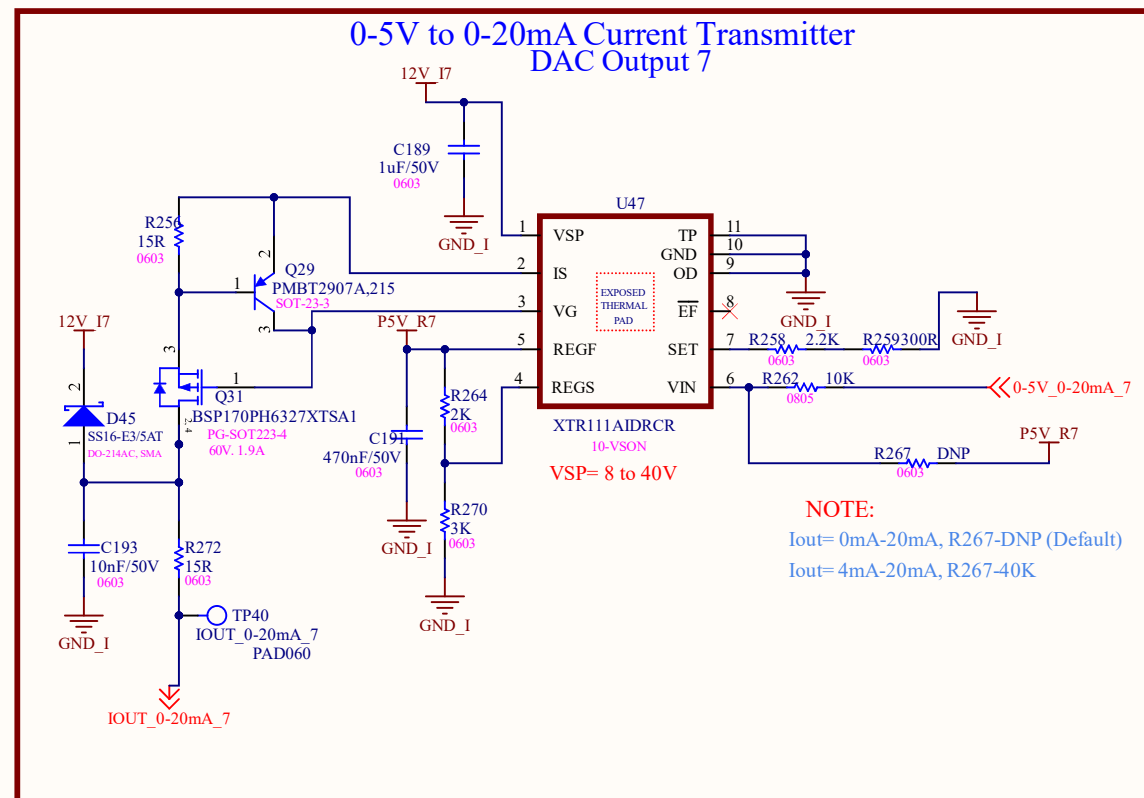
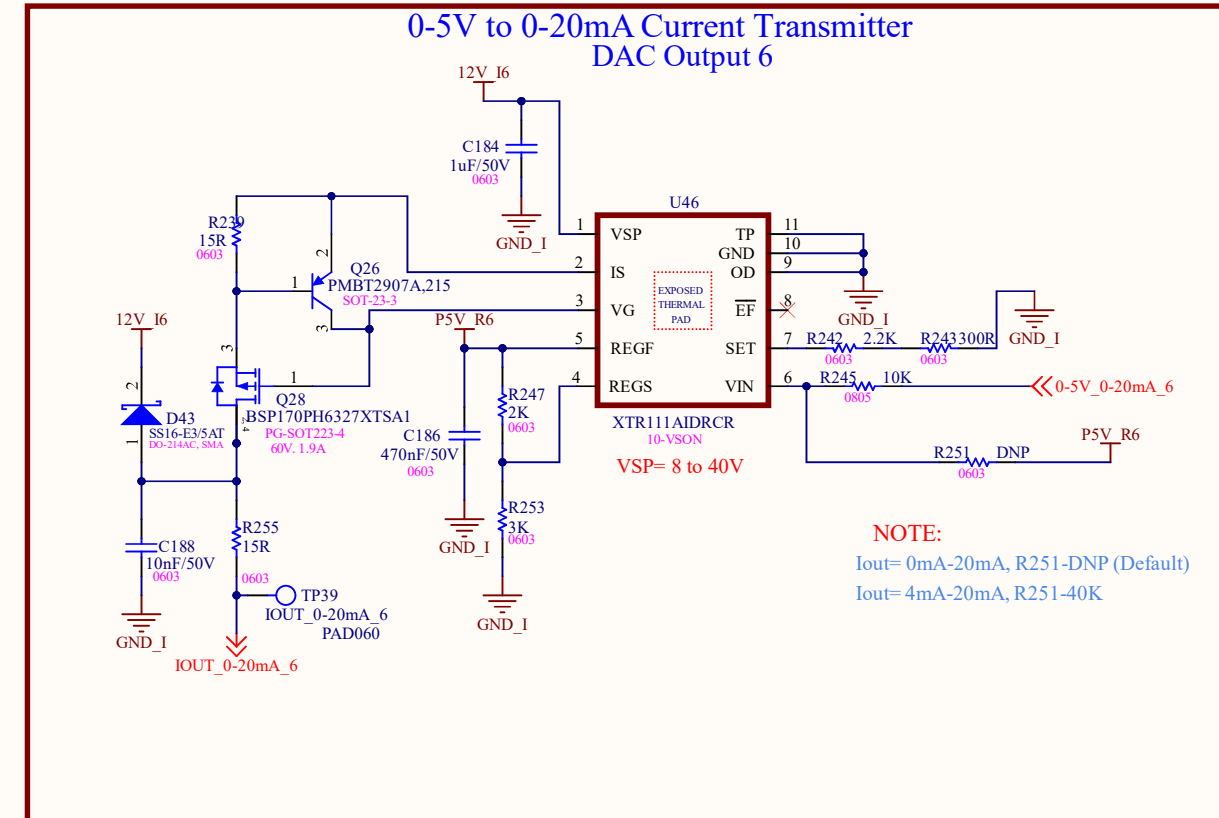
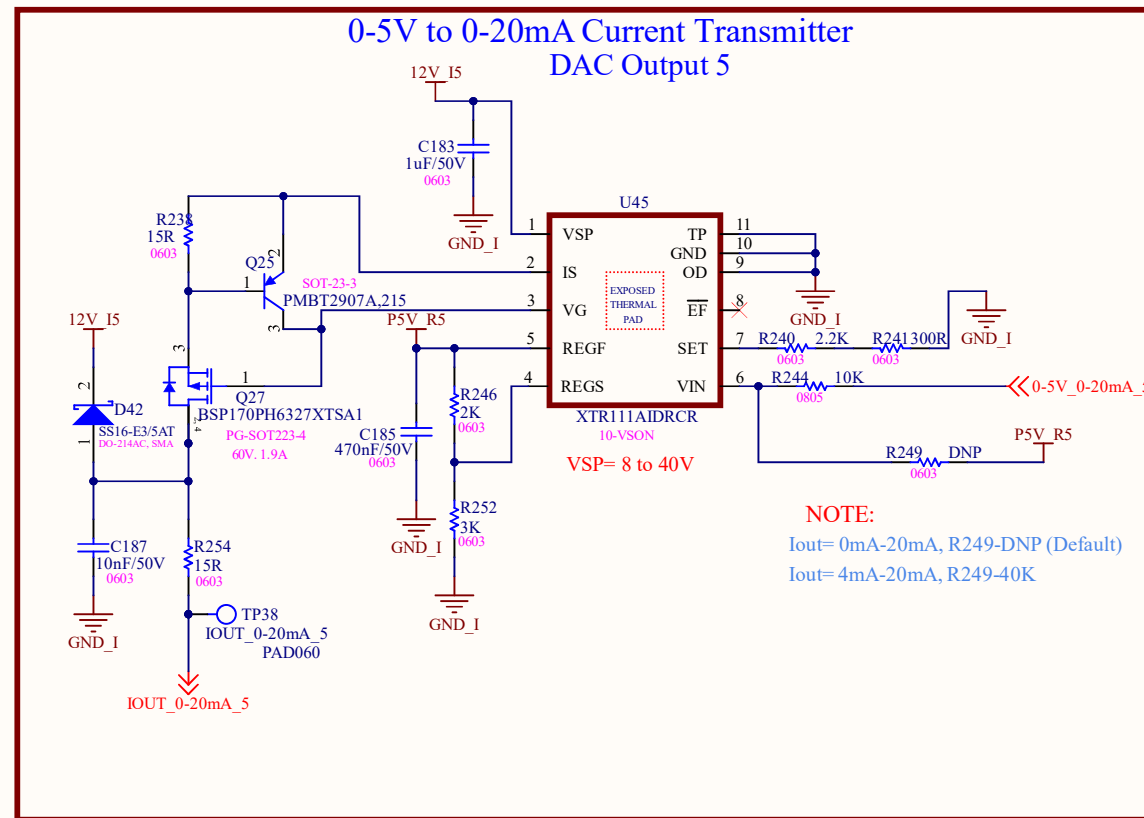


ANALOG OUTPUT_CURRENT TRANSMITTERS



NOTE:
For 0-20mA outputs:
Iout= 10*(Vin/Rset)

Organization: ELOGIC ENGINEERING SERVICE PVT LTD		
Project Name: OMNIR CONTROLLER BOARD		
Title: MAIN CONTROLLER-XTR111 SECTION 1		
Doc No: 55-062-050	Ver: 1	Rev: 2
Drawn By: Manasa	Checked By: Sandeep	Approved By: Tarun
Sheet No: 11 of 12	Date: 20-01-2023	Size: B



NOTE:
For 0-20mA outputs:
 $I_{out} = 10 * (V_{in} / R_{set})$

Organization: ELOGIC ENGINEERING SERVICE PVT LTD		
Project Name: OMNIR CONTROLLER BOARD		
Title: MAIN CONTROLLER_XTR111 SECTION 2		
Doc No: 55-062-050	Ver: 1	Rev: 2
Drawn By: Manasa	Checked By: Sandeep	Approved By: Tarun
Sheet No: 12 of 12	Date: 20-01-2023	Size: B