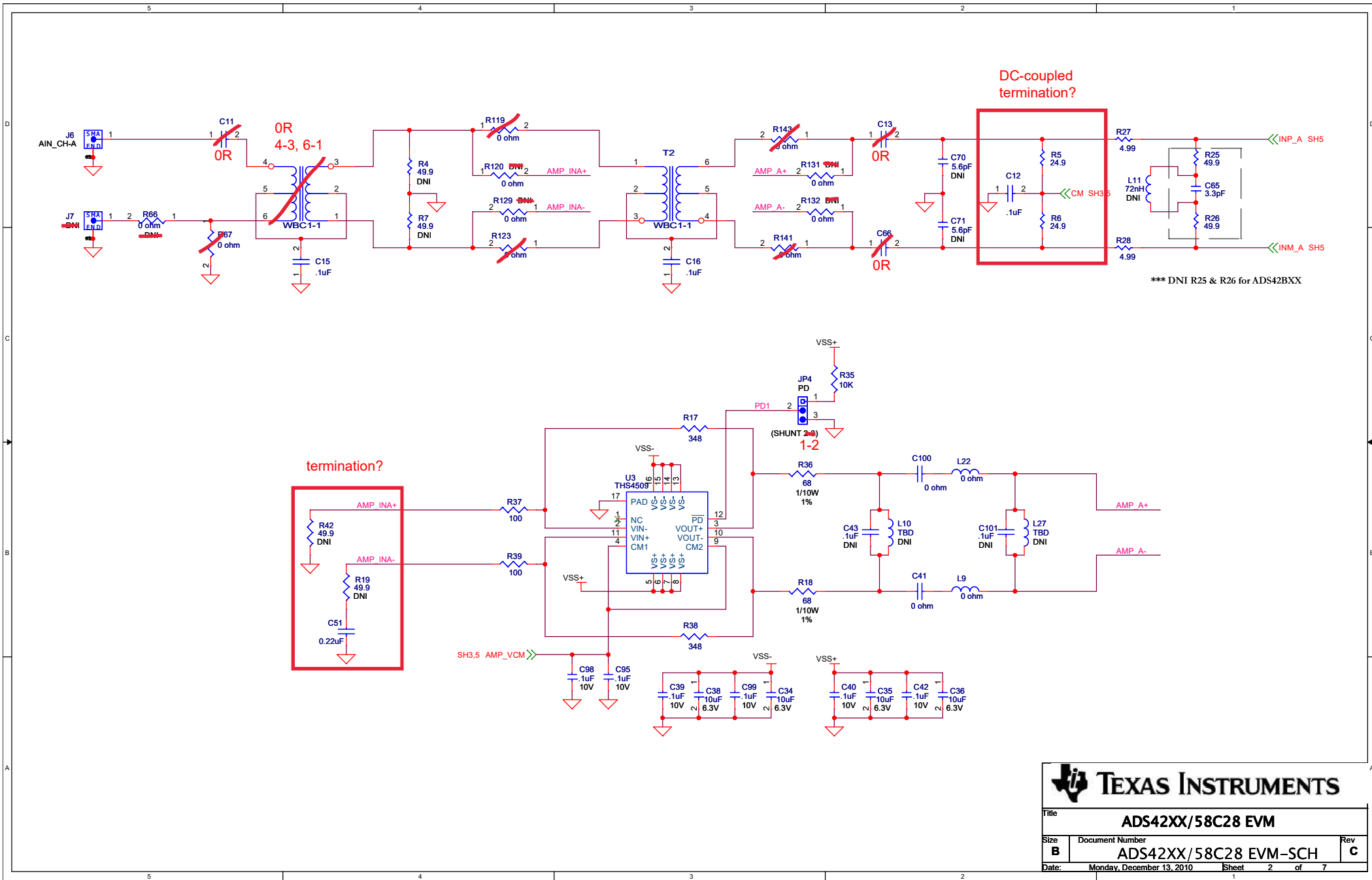
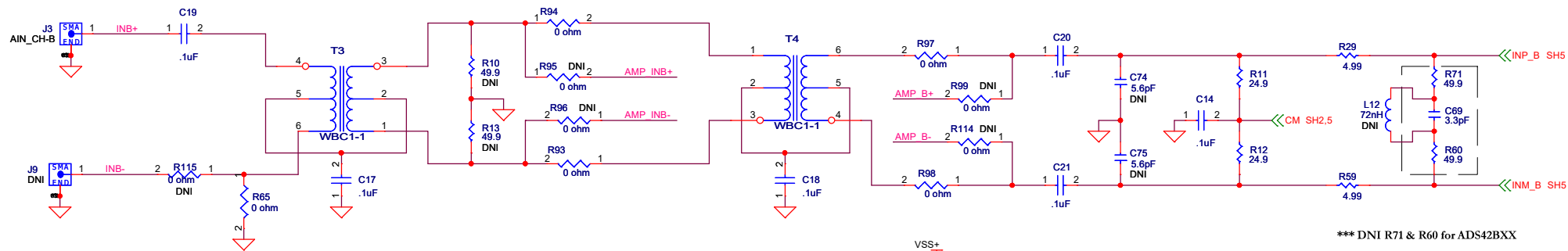


**ADS42XX/58C28 EVM**

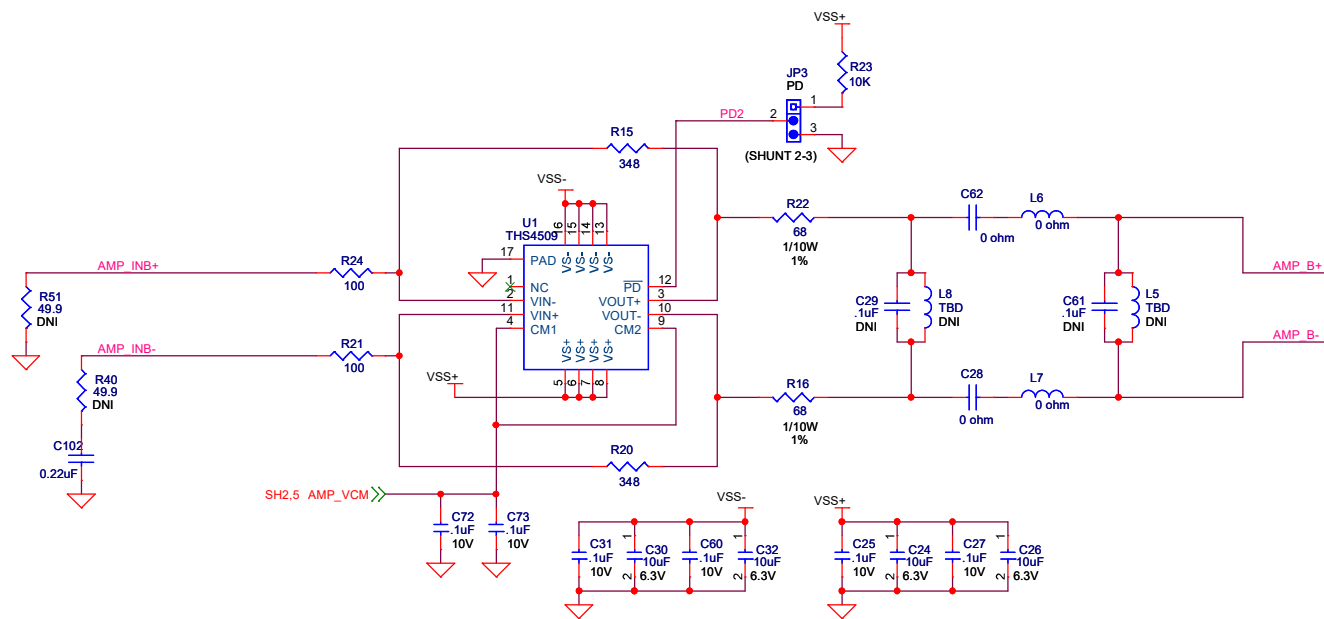
Drawn: L. Nguyen	Size: B	Document Number: ADS42XX/58C28 EVM-SCH	Rev: C
Engineer: HQ. Liu	Date: Friday, January 28, 2011	Sheet: 1	of 7



Title		
ADS42XX/58C28 EVM		
Size	Document Number	Rev
B	ADS42XX/58C28 EVM-SCH	C
Date:	Monday, December 13, 2010	Sheet 2 of 7

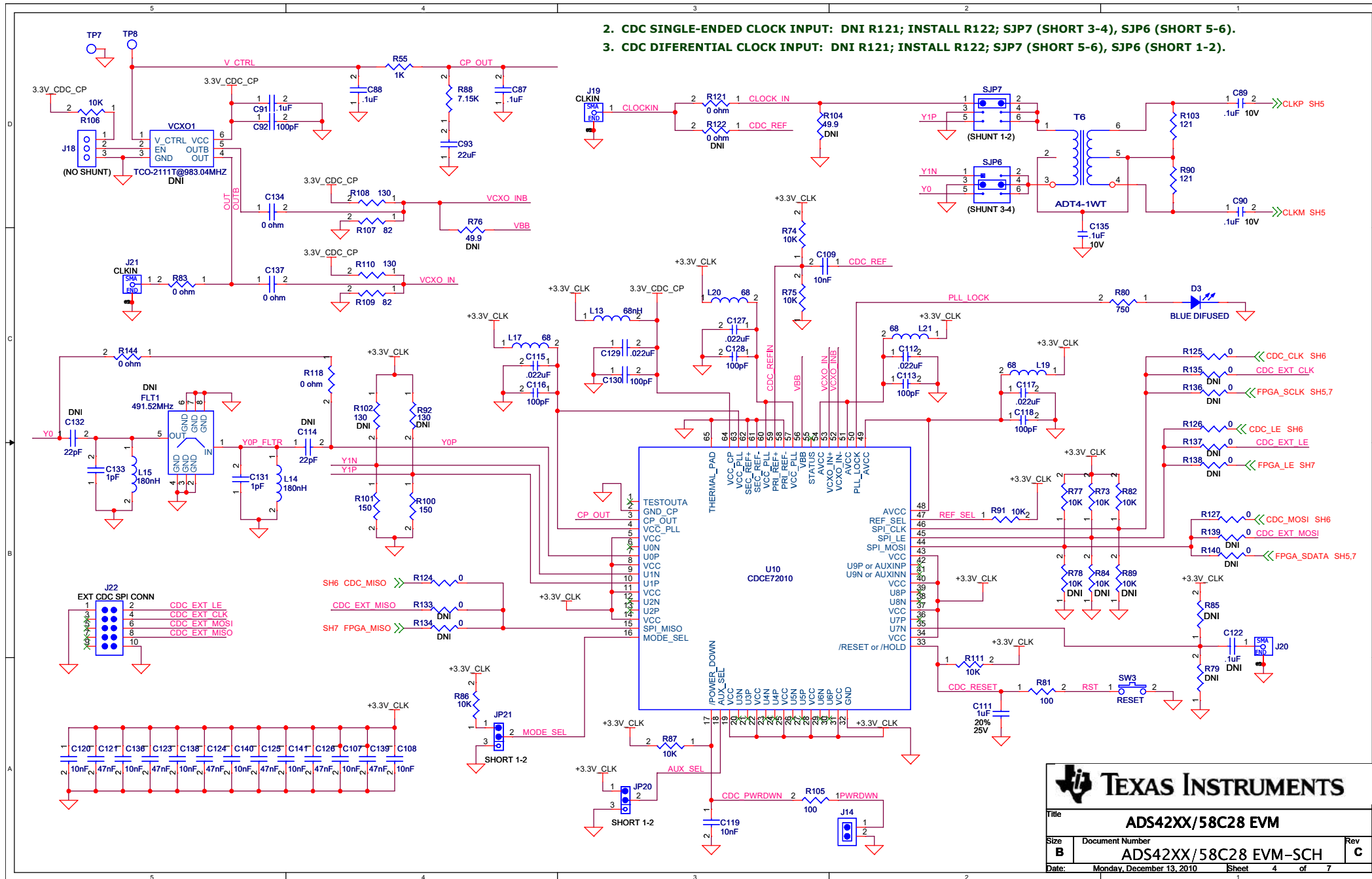


\*\*\* DNI R71 & R60 for ADS42BXX



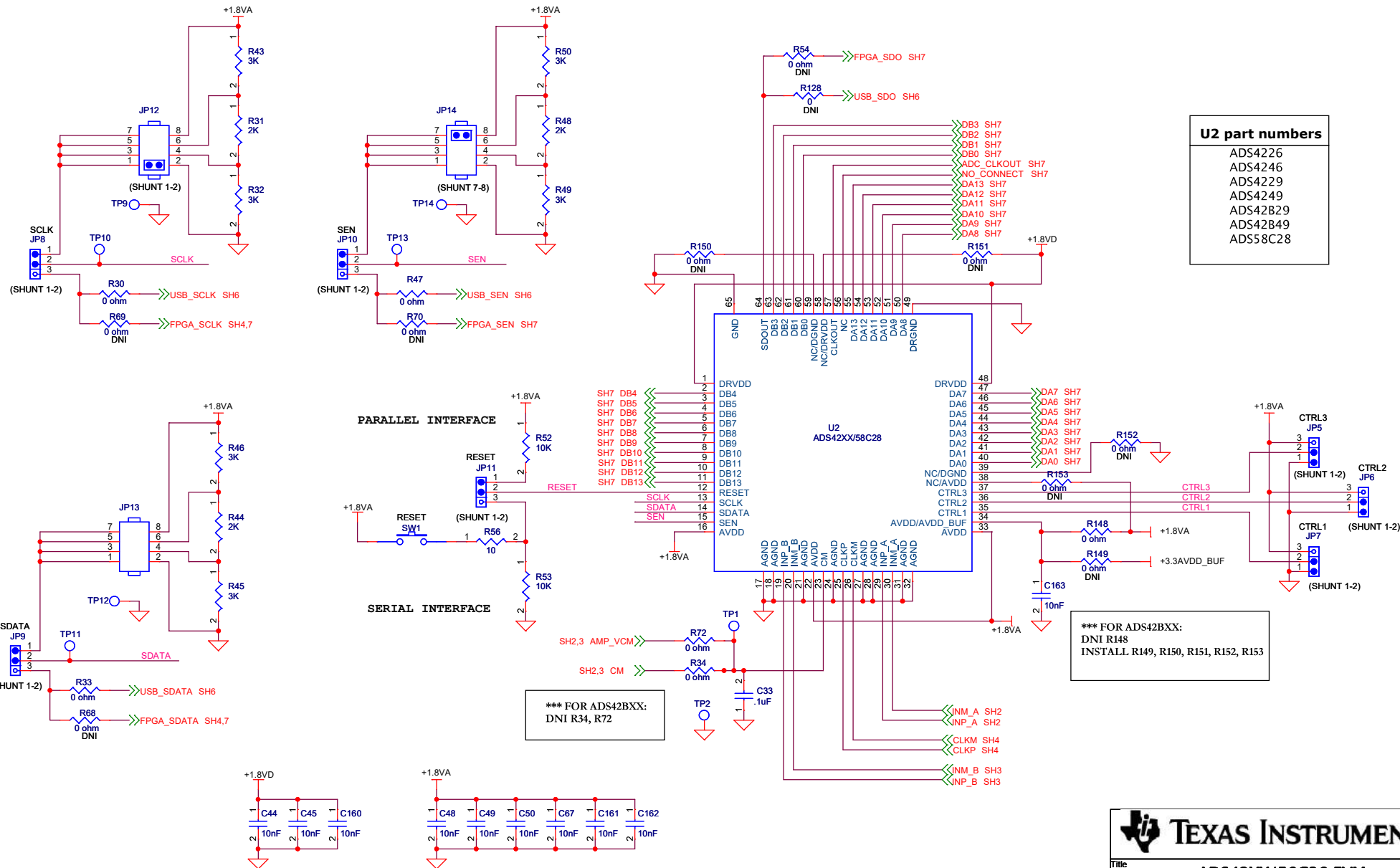
Title		
ADS42XX/58C28 EVM		
Size	Document Number	Rev
B	ADS42XX/58C28 EVM-SCH	C
Date:	Monday, December 13, 2010	Sheet 3 of 7

2. CDC SINGLE-ENDED CLOCK INPUT: DNI R121; INSTALL R122; SJP7 (SHORT 3-4), SJP6 (SHORT 5-6).
3. CDC DIFERENTIAL CLOCK INPUT: DNI R121; INSTALL R122; SJP7 (SHORT 5-6), SJP6 (SHORT 1-2).



**TEXAS INSTRUMENTS**

<b>ADS42XX/58C28 EVB</b>		
Title	ADS42XX/58C28 EVB	
Size	Document Number	Rev
<b>B</b>	<b>ADS42XX/58C28 EVB-SCH</b>	<b>C</b>
Date:	Monday, December 13, 2010	Sheet 4 of 7

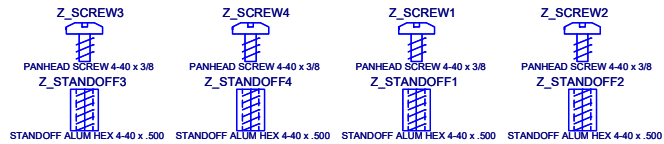
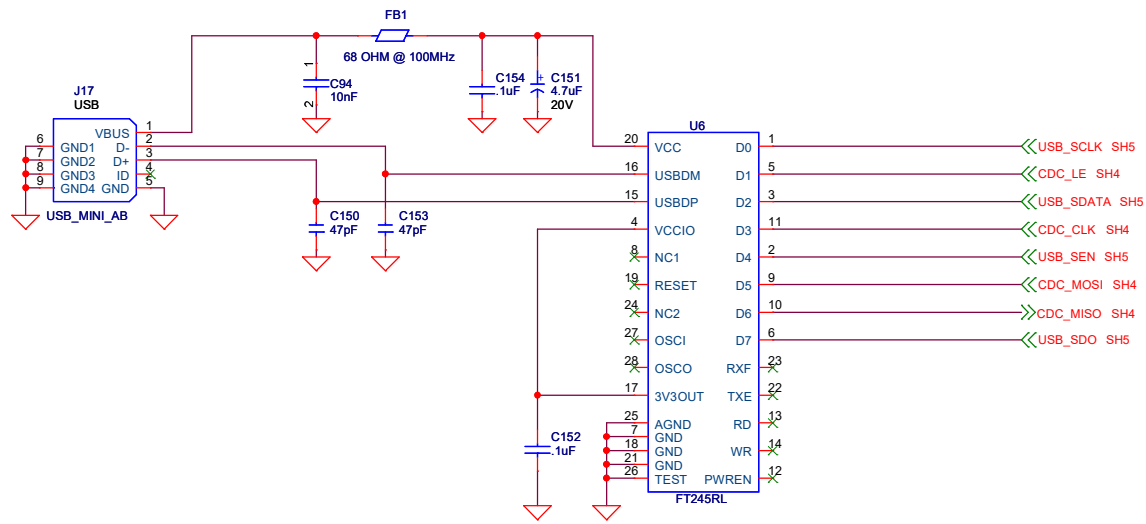


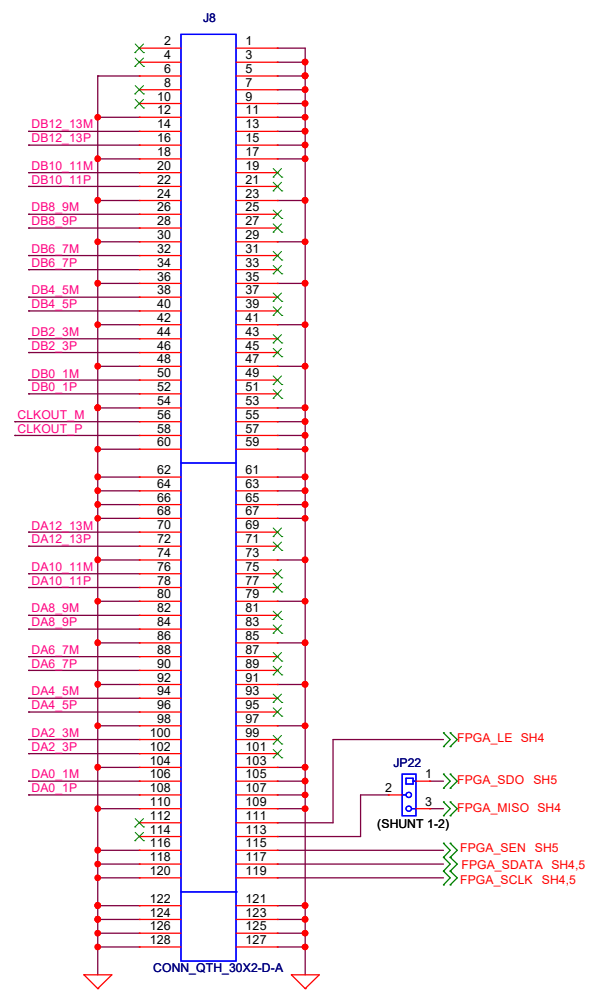
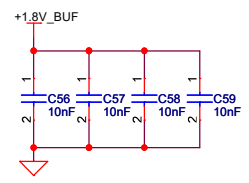
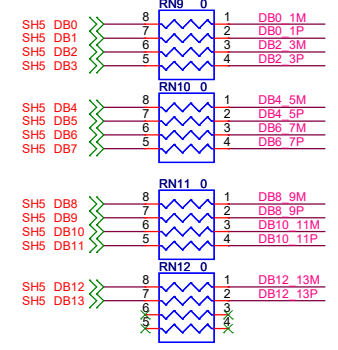
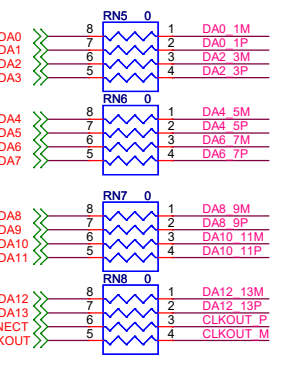
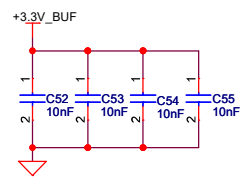
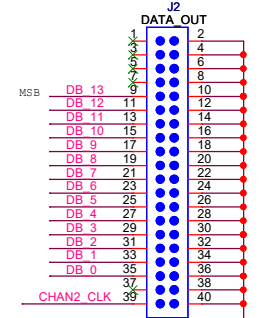
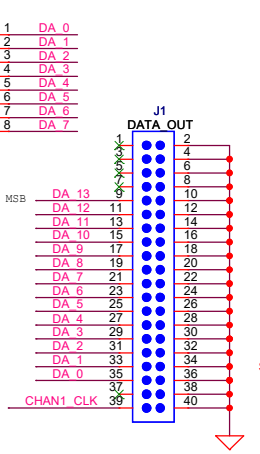
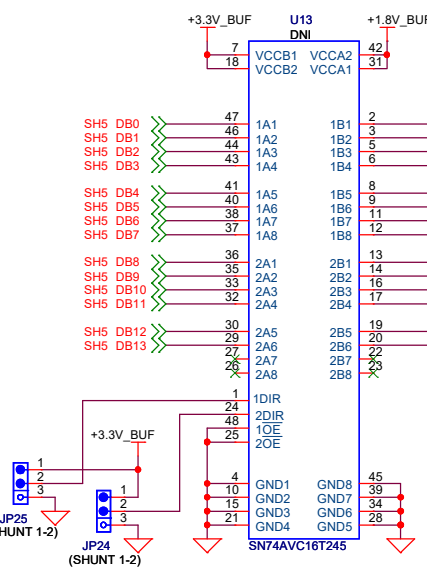
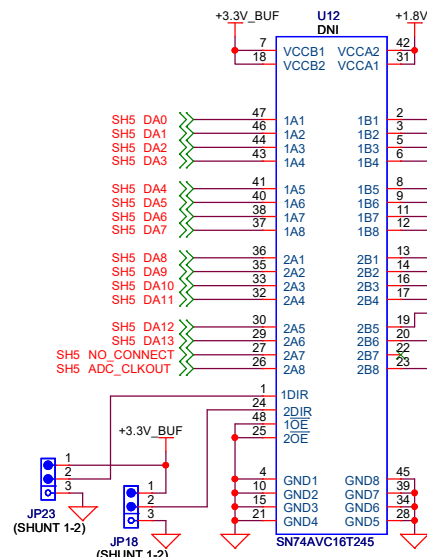
U2 part numbers	
ADS4226	
ADS4246	
ADS4229	
ADS4249	
ADS42B29	
ADS42B49	
ADS58C28	

\*\*\* FOR ADS42BXX:  
DNI R34, R72

\*\*\* FOR ADS42BXX:  
DNI R148  
INSTALL R149, R150, R151, R152, R153







**TEXAS INSTRUMENTS**

Title: **ADS42XX/58C28 EVM**

Size **B** Document Number **ADS42XX/58C28 EVM-SCH** Rev **C**

Date: Monday, December 13, 2010 Sheet 7 of 7