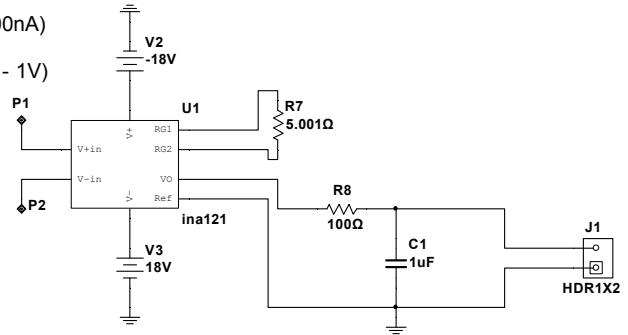
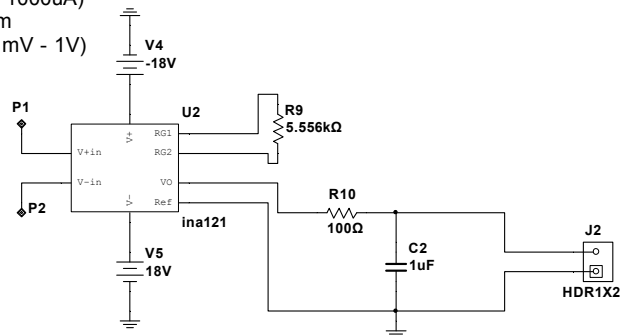


Gain = 10000
 $I = \pm(1\text{nA} - 1000\text{nA})$
 $R = 100\ \text{ohm}$
 $V_{\text{out}} = \pm(1\text{mV} - 1\text{V})$



Gain = 10
 $I = \pm(1\ \mu\text{A} - 1000\ \mu\text{A})$
 $R = 100\ \text{ohm}$
 $V_{\text{out}} = \pm(1\text{mV} - 1\text{V})$



Gain = 2
 $I = \pm(1\text{mA} - 300\text{mA})$
 $R = 1\ \text{ohm}$
 $V_{\text{in}} = \pm(1\text{mV} - 300\text{mV})$

