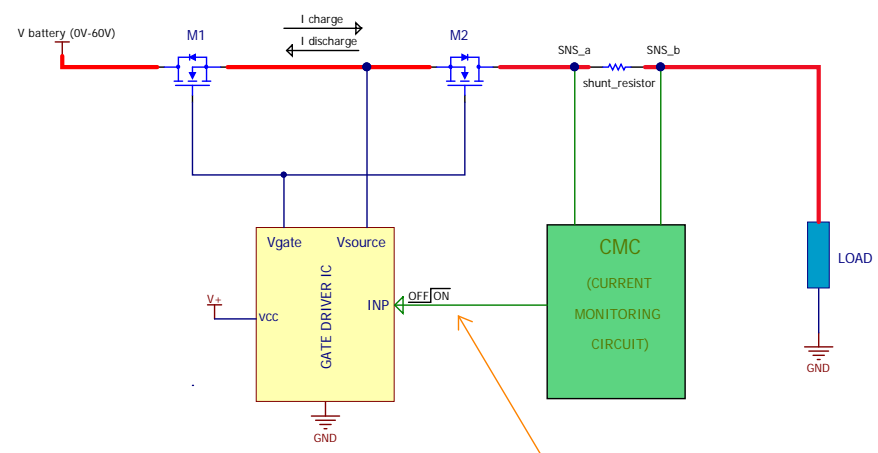


# CURRENT MONITORING CIRCUIT



if the current measured (in both directions) is >100A  
CMC shall switchoff the gate driver IC within 10us

