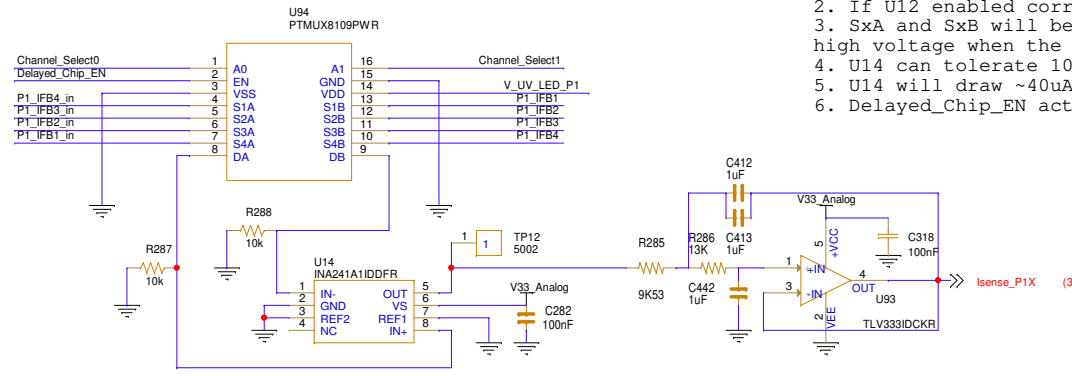


- Note,
1. Before U12 enable active, V_UV_LED_P1 is 22V.
 2. If U12 enabled correctly, V_UV_LED_P1 will be around 80V.
 3. SxA and SxB will be in 1 voltage range. it may goes to high voltage when the internal switch in transient.
 4. U14 can tolerate 100V common mode voltage.
 5. U14 will draw ~40uA current, R287 and R288 will provide the path.
 6. Delayed_Chip_EN active delay more than 20ms after EN on U12



Title		
<Title>		
Size	Document Number	Rev
B	<Doc>	<RevCode>
Date:	Friday, August 11, 2023	Sheet 1 of 1