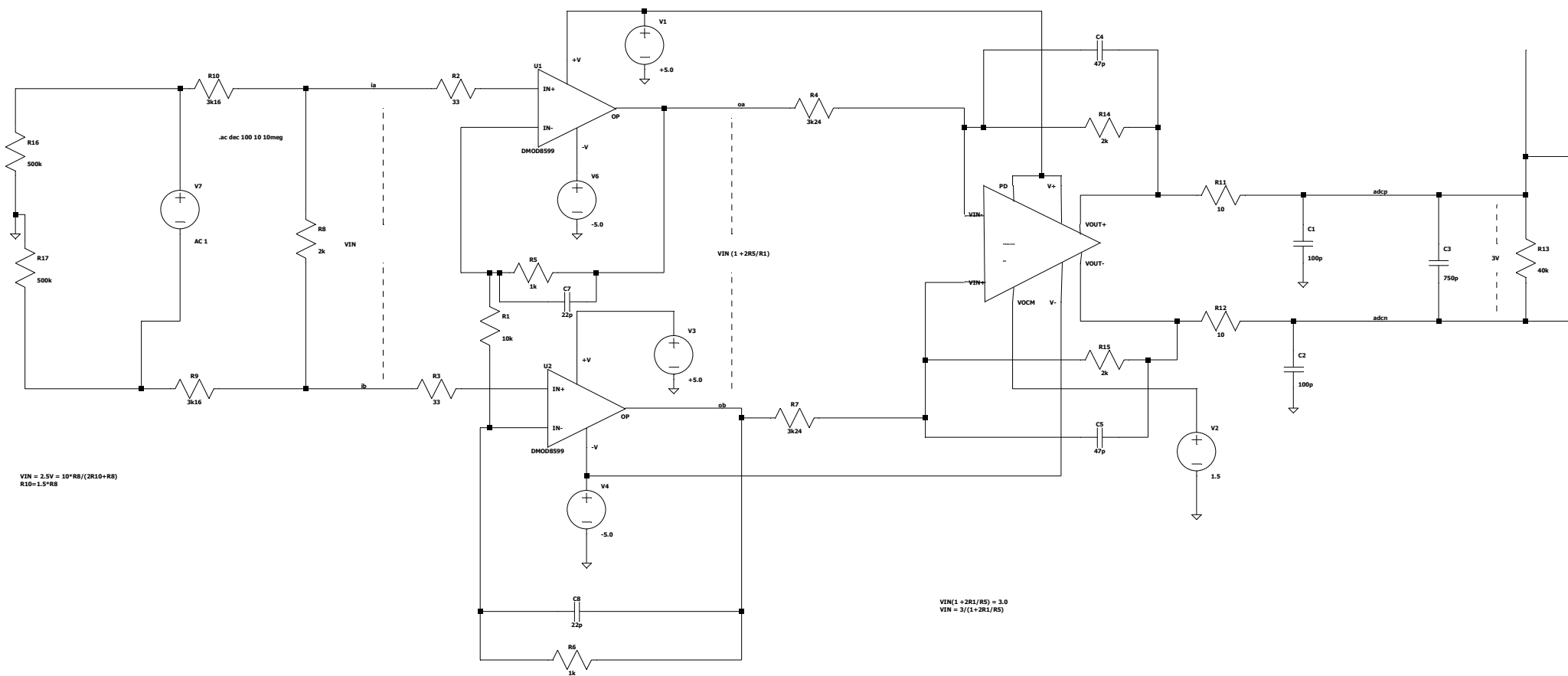


Investigate the effect of the series R and also I/P Z of op-amp



$$V_{IN} = 2.5V \cdot 10^4 \cdot R_B / (2R_{10} + R_B)$$

$$R_{10} = 1.5 \cdot R_B$$

$$V_{IN}(1 + 2R_1/R_5) = 3.0$$

$$V_{IN} = 3 / (1 + 2R_1/R_5)$$