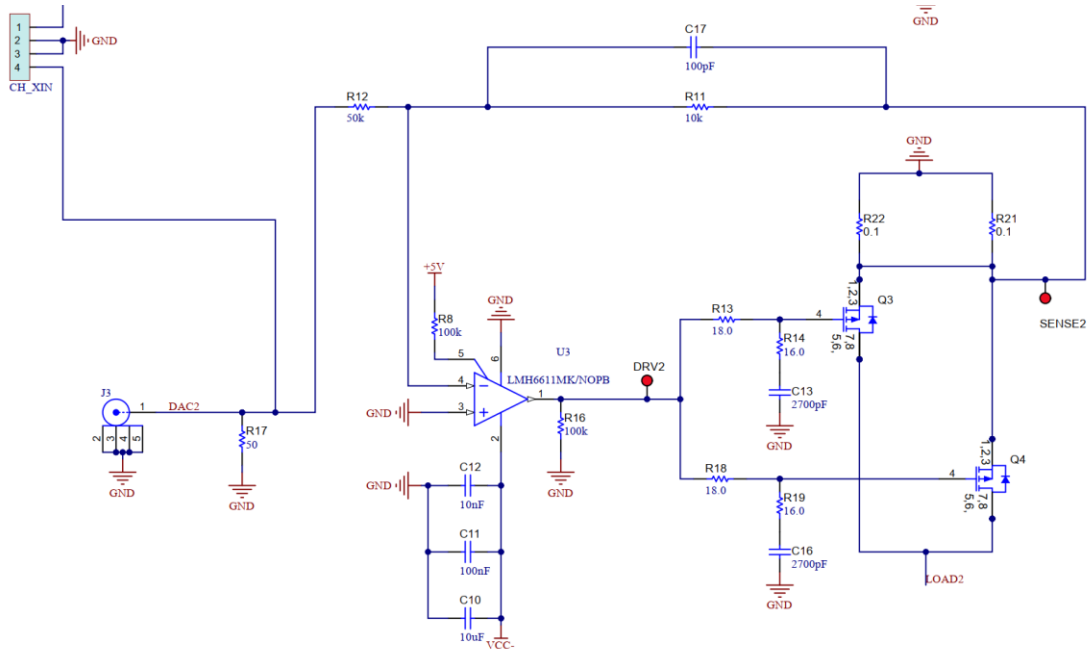


Sch:



Where I have modified with below change:

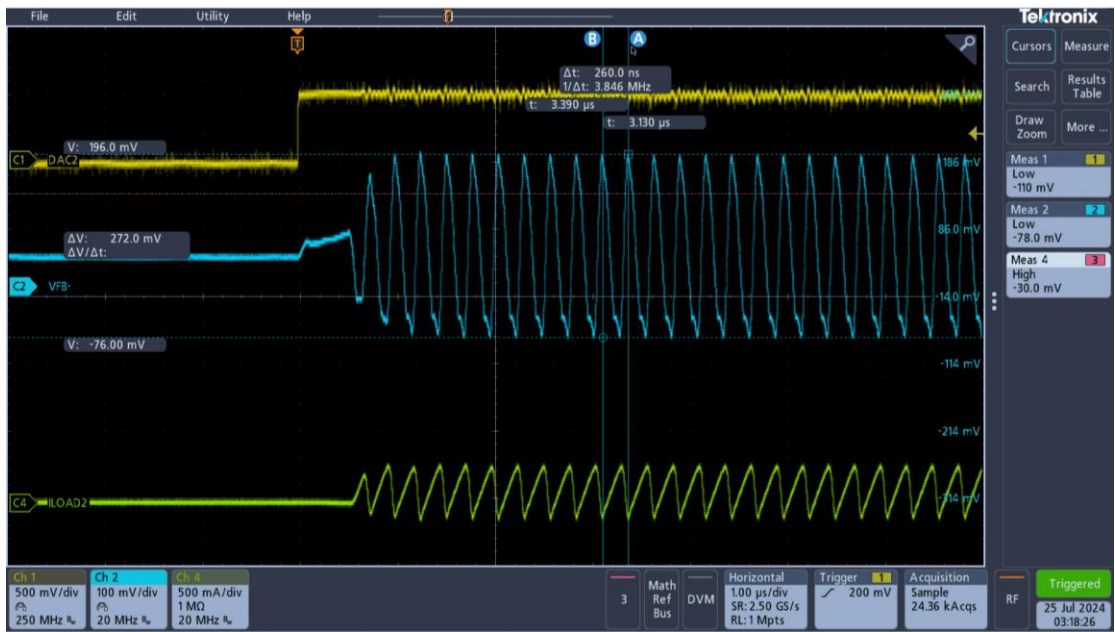
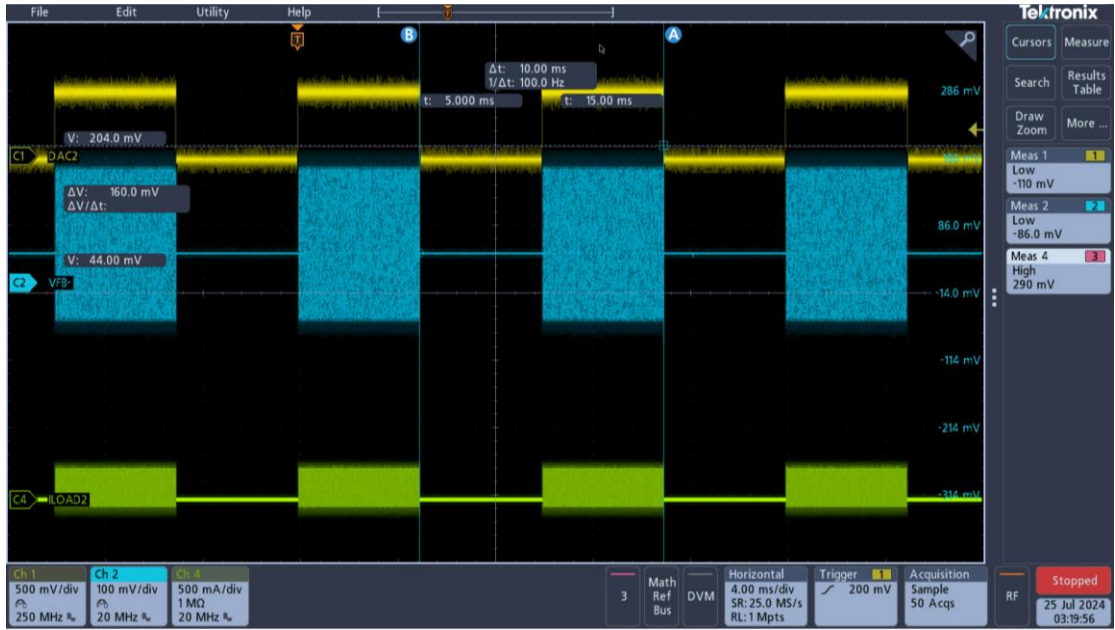
- 1) Connect a 10k resistor from PIN3 to GND;
- 2) VCC--=-5V, Connect PIN6 to a +5V power supply;
- 3) R21=R22=2 Ω ;

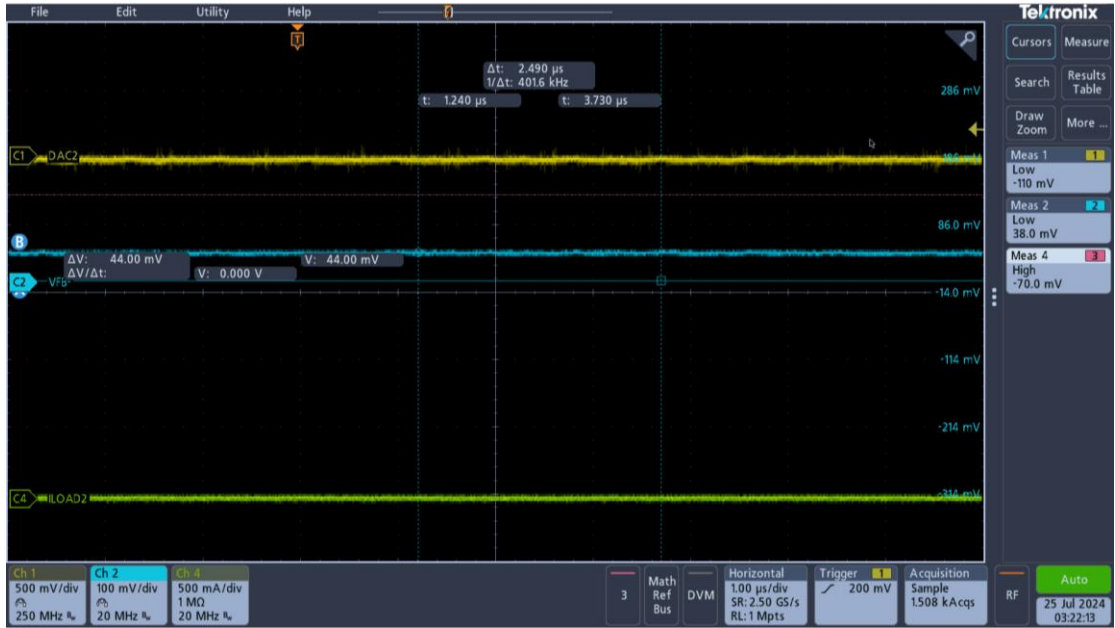
Signal Generator:

DAC2=500mV-0mV Square 100Hz, 50%

Test Case 1

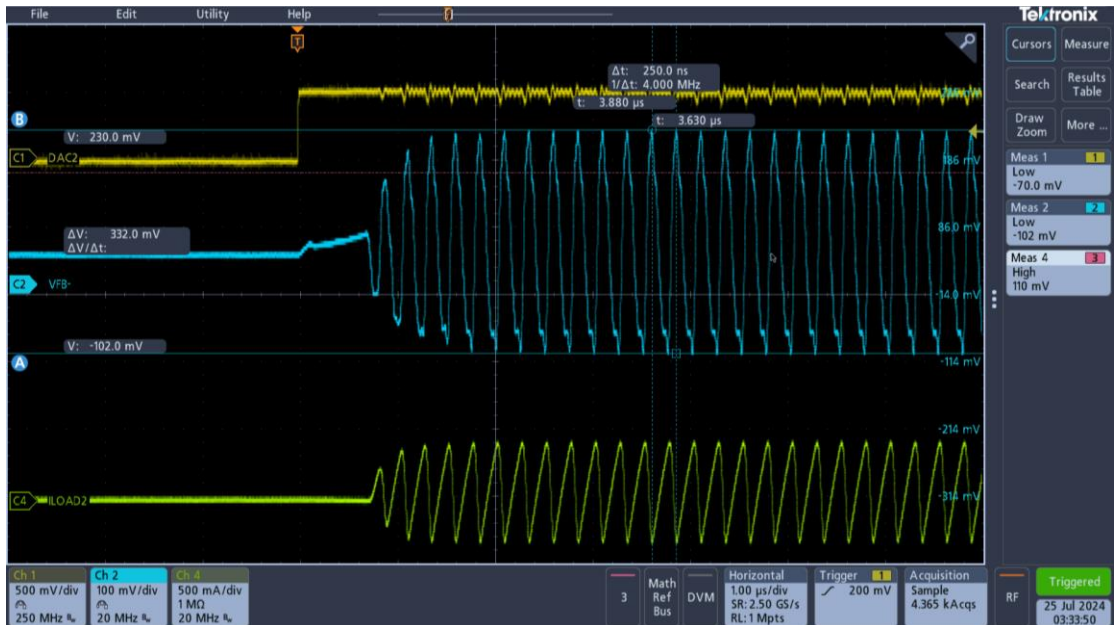
C17=16pF





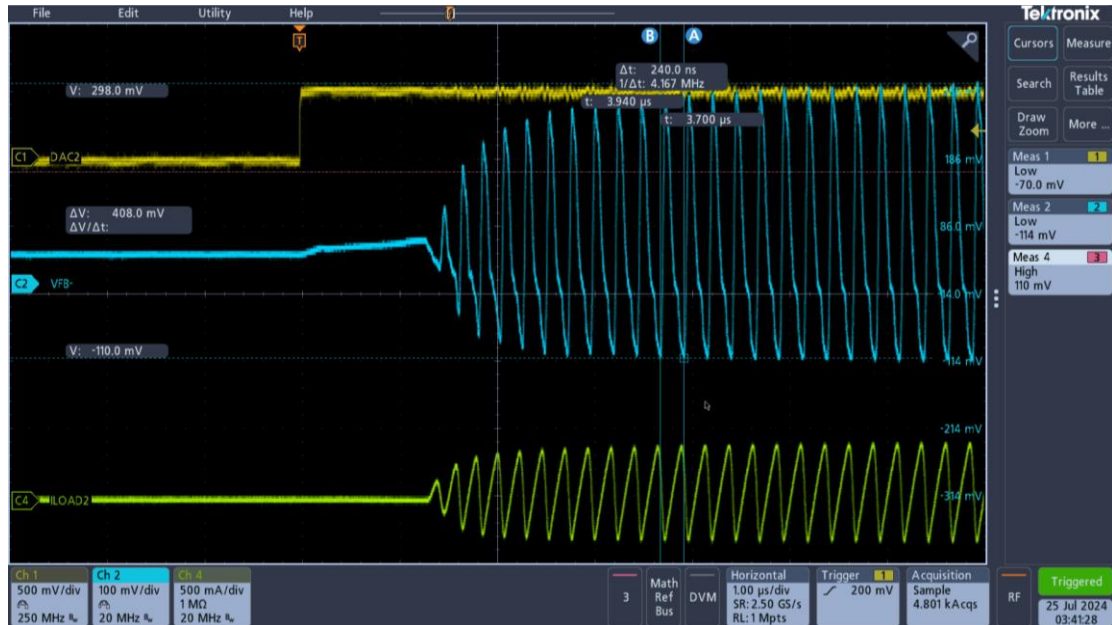
Test Case 2

C17=47pF



Test Case 3

C17=200pF



Test Case 4

C17=1nF

