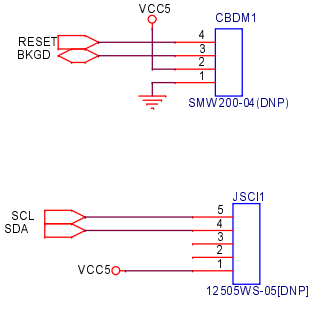
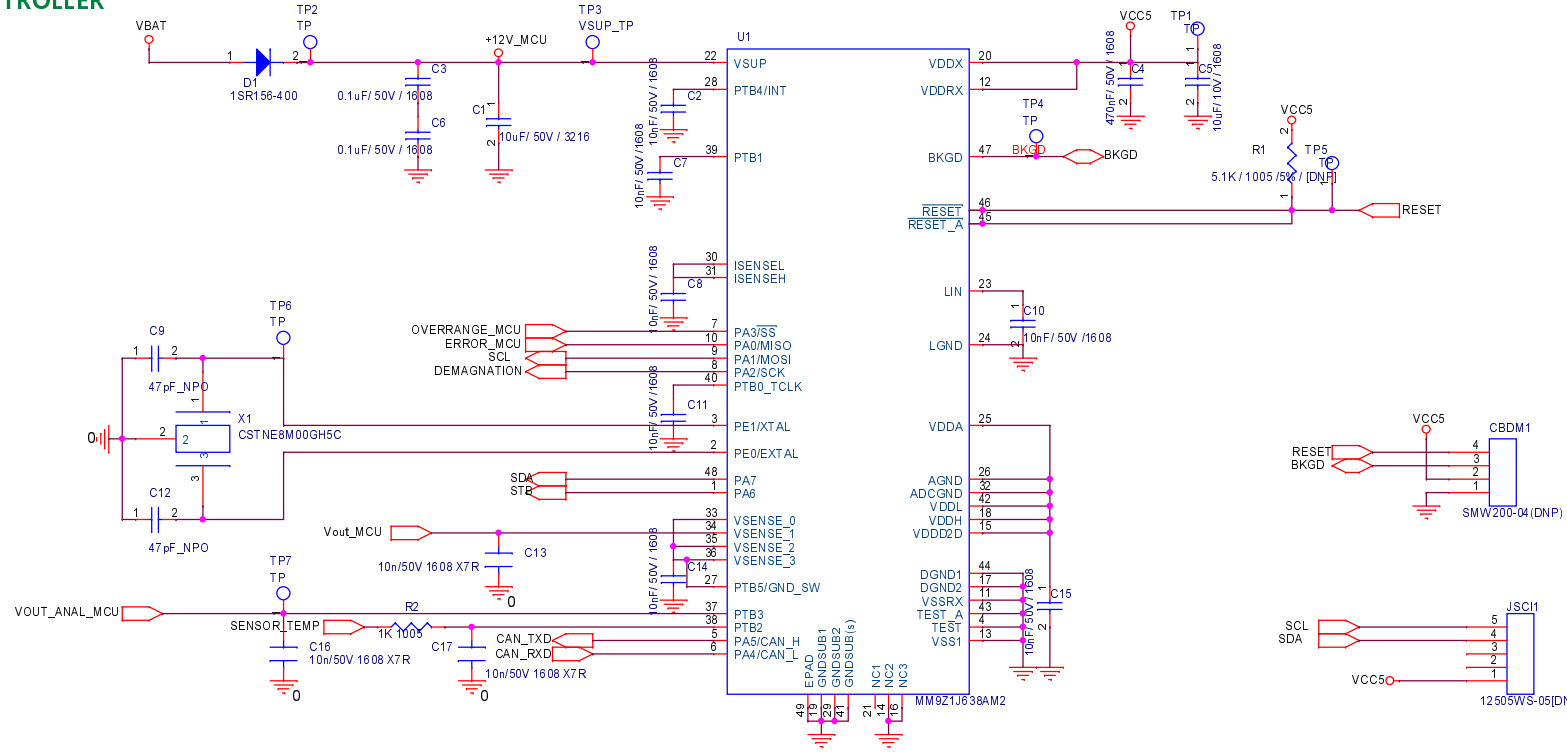
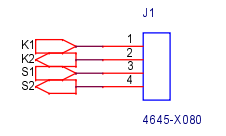
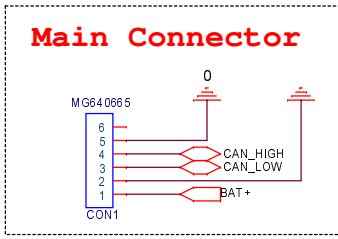
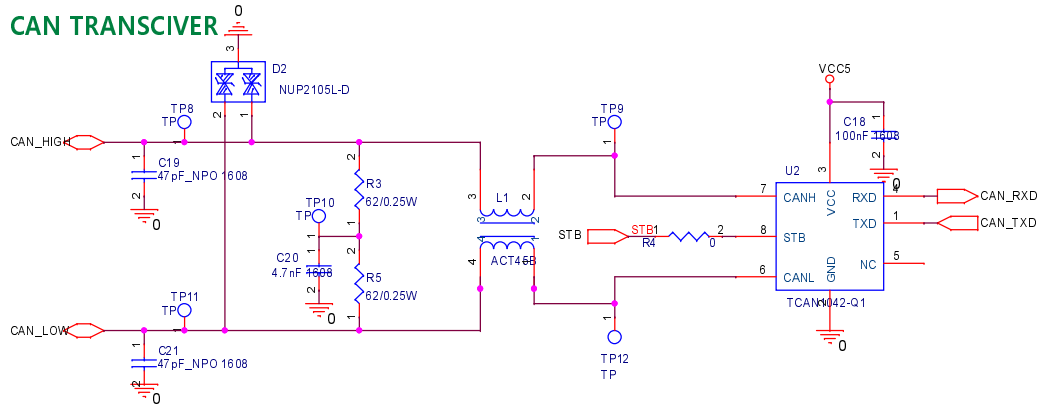


MICROCONTROLLER

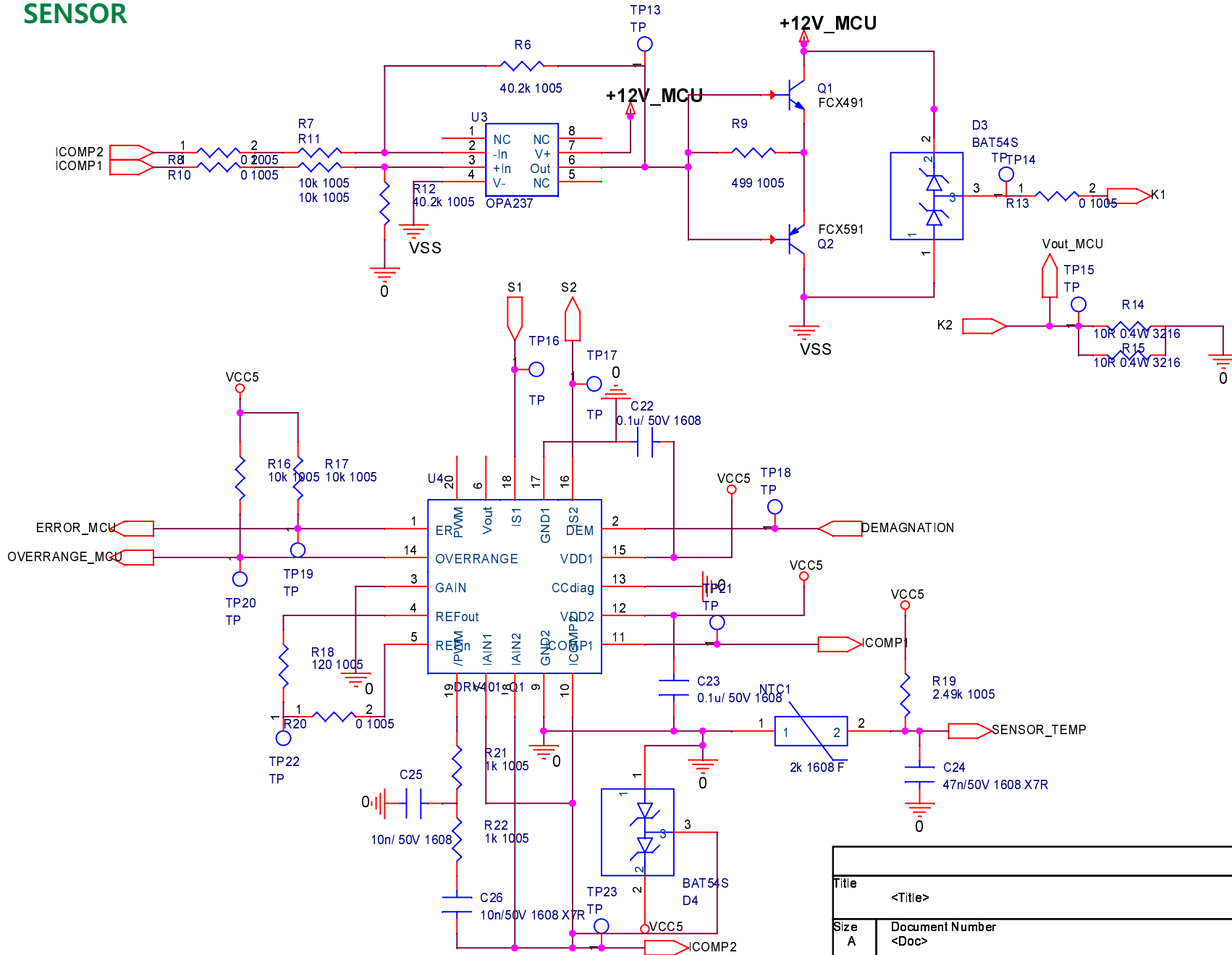


CAN TRANSCEIVER



Title			<Title>
Size	Document Number	Rev	
B	<Doc>	<Rev>	
Date:	Thursday, October 25, 2018	Sheet	1 of 2

SENSOR



Title			<Title>
Size	Document Number	Rev	
A	<Doc>	<RevCode>	
Date:	Thursday, October 25, 2018	Sheet	2 of 2