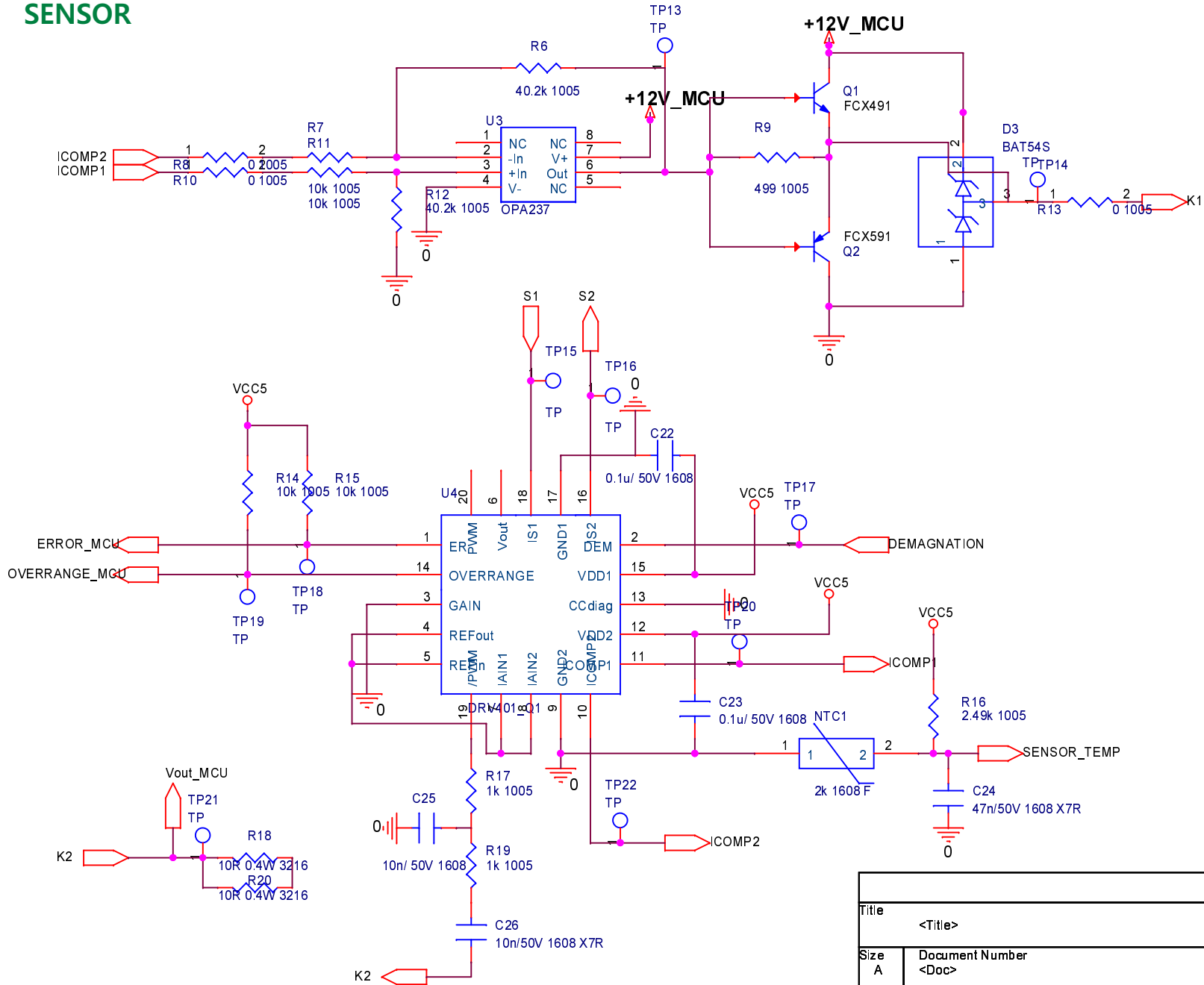


SENSOR



Title			<Title>
Size	Document Number	Rev	
A	<Doc>	<RevCode>	
Date:	Thursday, November 08, 2018	Sheet	3 of 3