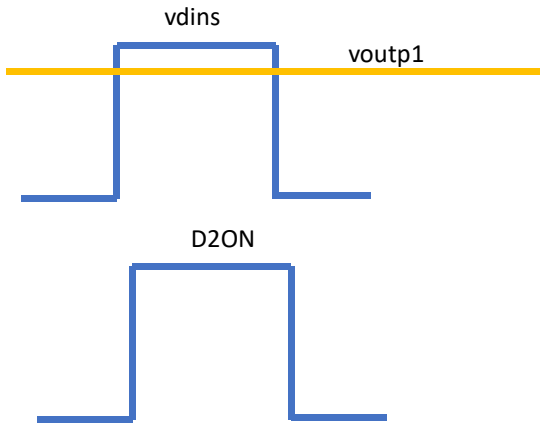
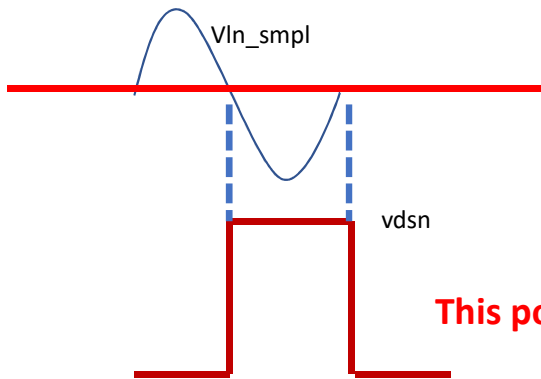


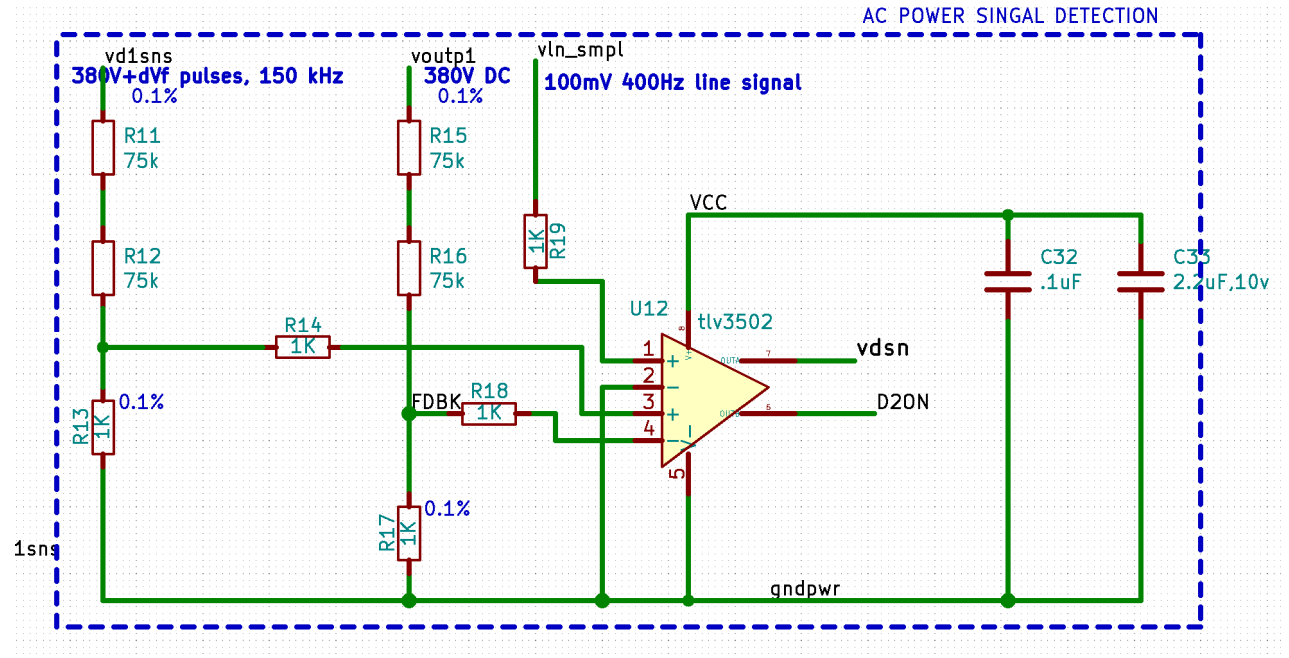
### Fast level crossing detector

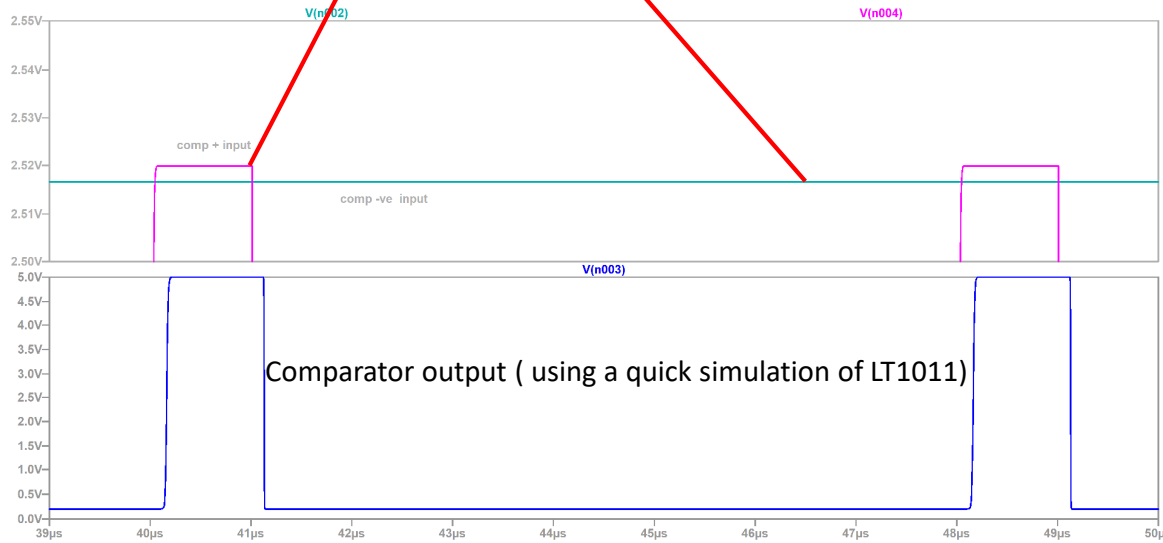
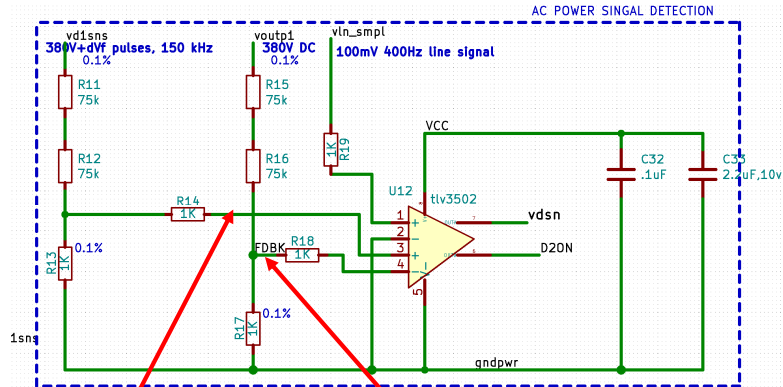


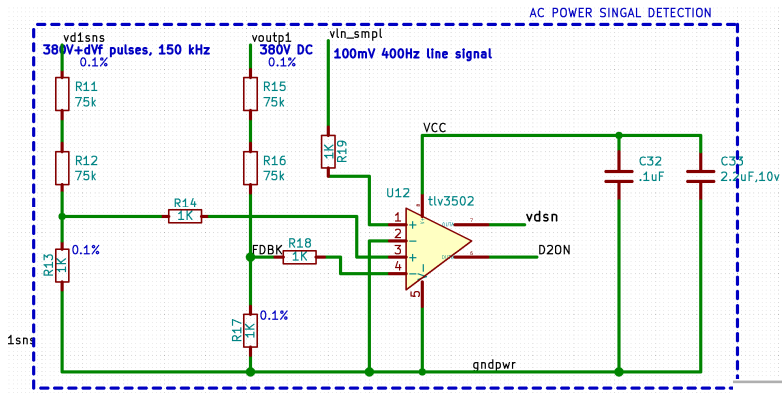
### Fast Zero crossing detector



**This polarity?**







Comparator output ( using a quick simulation of LT1011)

