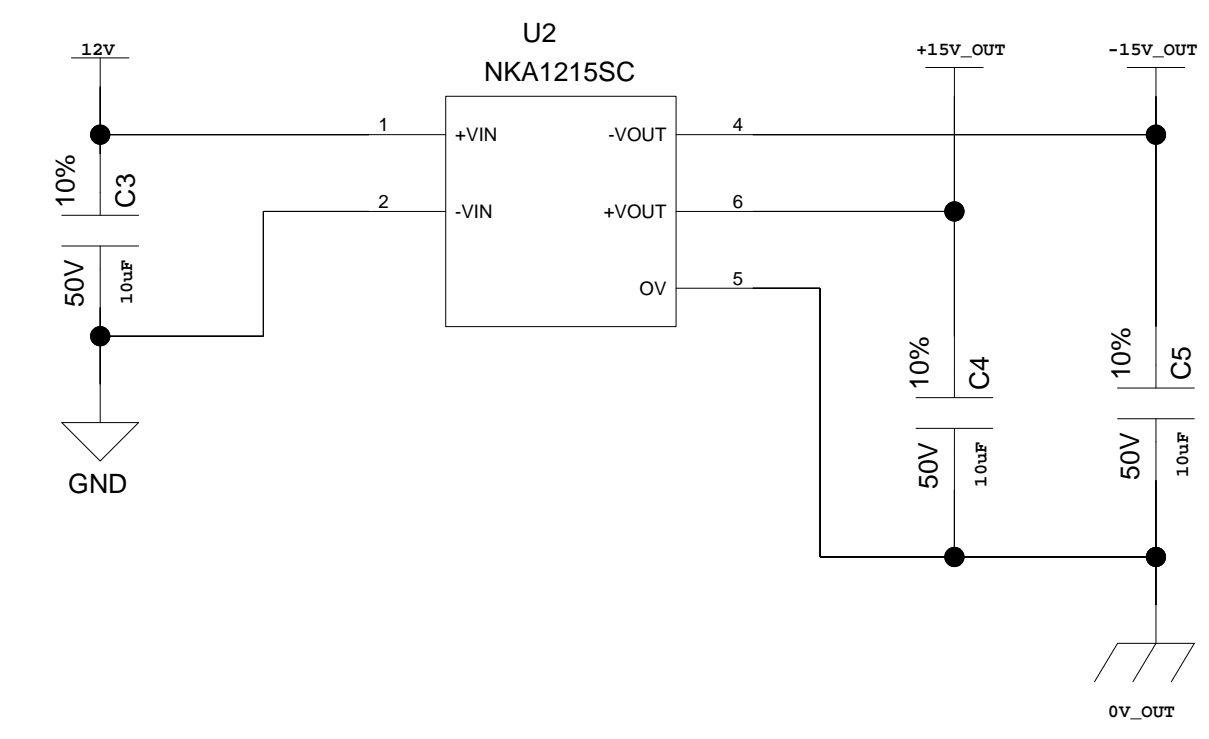
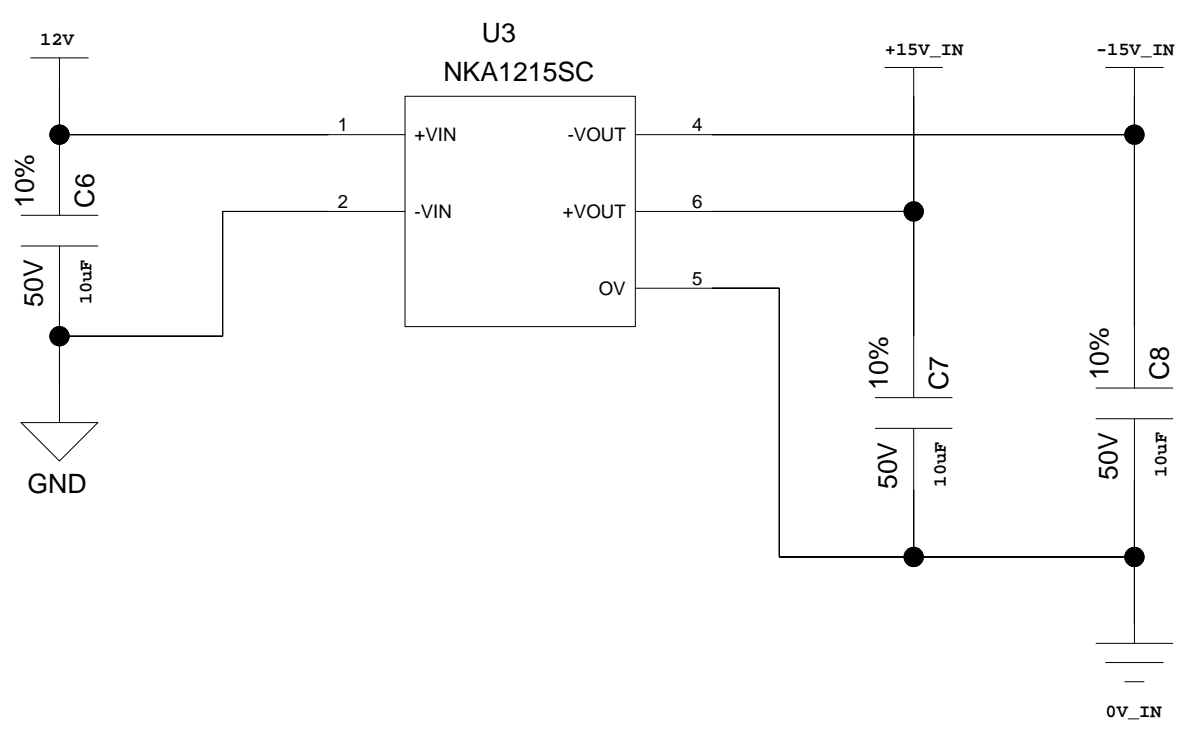


Gain	R1	R2	R3
1	0ohm	DNP	0ohm
2	200Kohm	DNP	200Kohm
10	200Kohm	24.9Kohm	20Kohm
100	200Kohm	2.03Kohm	2Kohm

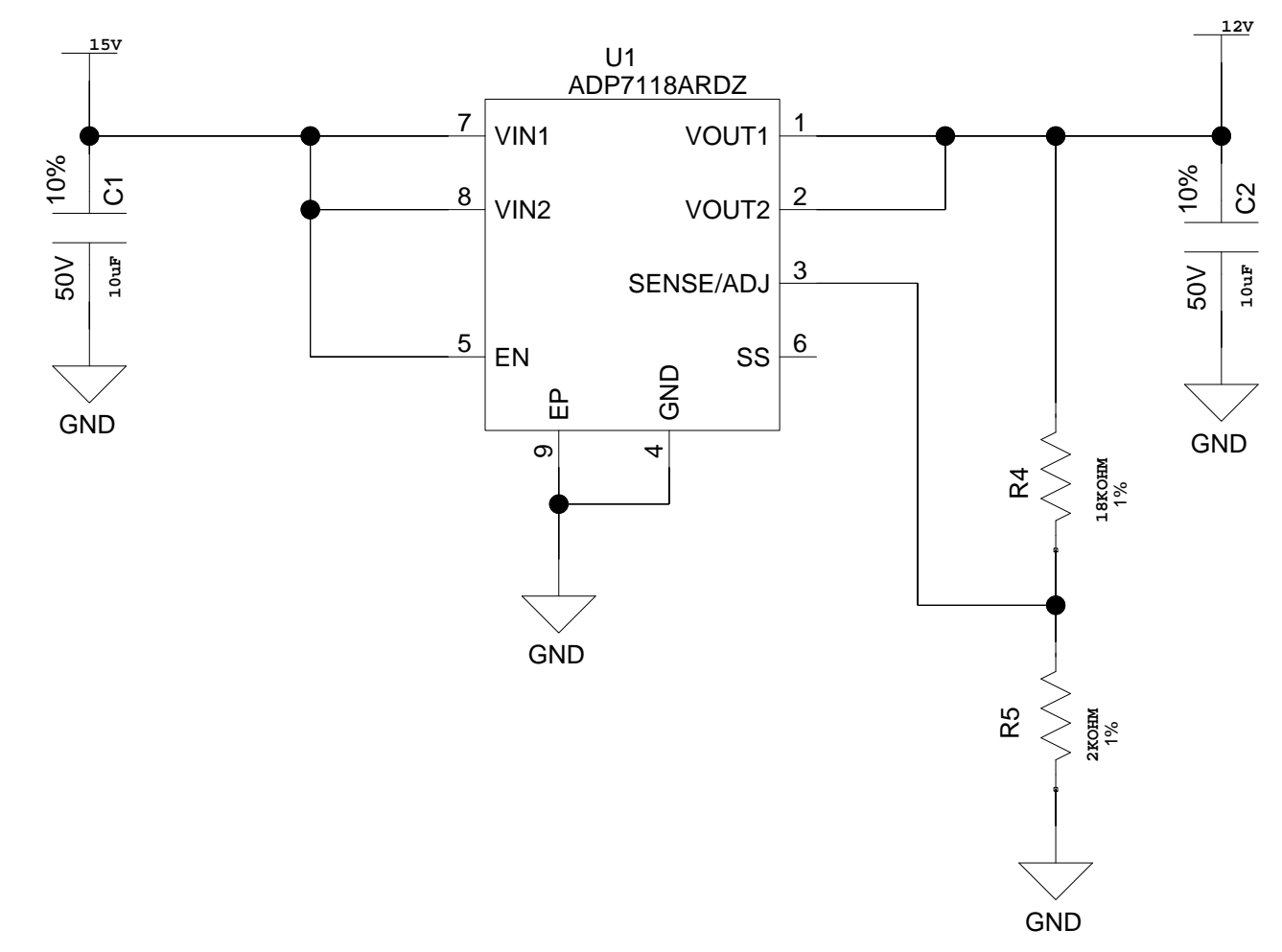
For high gain, adjust R2+R11 to obtain more accurate gain.



- AD210.29 CN2 1 GND
- AD210.30 CN2 2 15V

- AD210.1 CN4 1 OUT
- AD210.2 CN4 2 0V_OUT
- AD210.3 CN4 3 +15V_OUT
- AD210.4 CN4 4 -15V_OUT

- AD210.14 CN6 1 +15V_IN
- AD210.15 CN6 2 -15V_IN
- AD210.16 CN6 3
- AD210.17 CN6 4
- AD210.18 CN6 5 ICOM
- AD210.19 CN6 6 IN



Diagram

WABTEC CORPORATION

SCHEMATIC DIAGRAM EDS 761.1

Isolation Amplifier Adapter

FIRST MADE FOR:41A331529G1

SIZE C	APPROVALS	DRAWING NO. 41C671243AB	REV 0
MADE BY ISSUED BY	Jesse Zhou	23/03/2023:15:55 Issue Date	SHEET 1 OF 8