

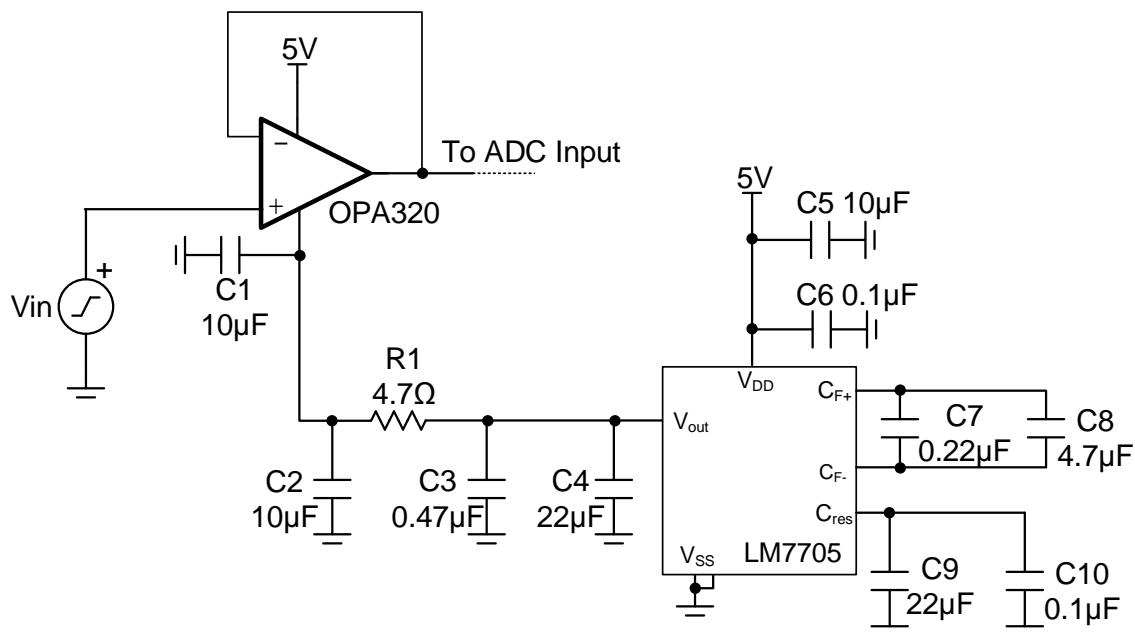
Charge pump circuit (–0.3V) for negative amplifier supply

Art Kay

Input Power Supply	Output Power Supply
3V to 5.25V	–0.232V

Design Description

This circuit document shows how to create a small negative power supply (–0.232V) using the [LM7705](#) low-noise negative bias generator with a single 3-V to 5.25-V power supply. The –0.232-V supply is typically used for the negative supply on a single-supply amplifier to allow swing all the way to 0V. Note that amplifiers cannot swing all the way to the power supply rails, but become distorted and clip as they approach the negative rail. For example, based on the [OPA320](#) device, worst-case specifications, it can clip 20mV from the negative supply and can become nonlinear 100mV from the negative supply. If the negative supply is ground, the amplifier output may be distorted below 100mV and will likely clip below 20mV. Otherwise, if the negative supply for the [OPA320](#) op amp is set to a small negative voltage (–0.232V), the output will linear all the way to ground. This circuit can be used for any application where a single-supply amplifier needs to swing to 0V. The [LM7705](#) converts a positive 3-V to 5-V rail to a negative voltage using a switched capacitor voltage inverter. A related circuit document, [Powering a dual-supply op-amp circuit with one LDO](#), shows a similar circuit.



Specifications

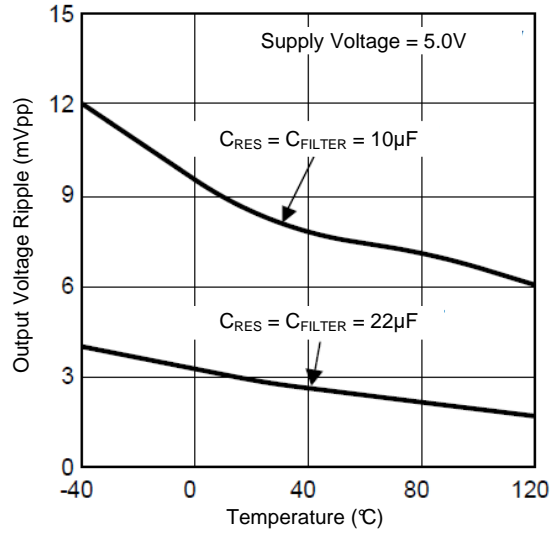
Specification	Measured: Negative Supply = GND, Positive Supply = 5.2V, $V_{IN} = 5V_{pp}$ (full-scale signal)	Measured: Negative Supply = -0.232V, Positive Supply = 5.2V, $V_{IN} = 5V_{pp}$ (full-scale signal)
THD (of ADS8860 + OPA320)	-93.2dB	-112.5dB (using LM7705)

Design Notes

1. All of the measured results in this document were done using the component values shown on the first page. The previous table shows the performance of an [ADS8860](#) + [OPA320](#) device with and without the [LM7705](#) device. For this example configuration, the input signal is intentionally driven very close to the full-scale input range for the ADC.
2. This circuit uses a switched capacitor inverter to generate a negative supply voltage with a positive input supply voltage. Doing this inversion generates power-supply ripple and noise. This noise is typically small and has minimal impact on system performance. Nevertheless, if this system has a negative power supply, consider using the [TPS7A39](#) LDO to generate a (-0.2-V power supply). See [Powering a dual-supply op-amp circuit with one LDO](#) for details. Comparing the LDO solution ([TPS7A39](#)) to the switched capacitor inverter ([LM7705](#)), the LDO will generally be the lowest noise. Use the switched capacitor inverter in cases where the system does not have a negative supply.

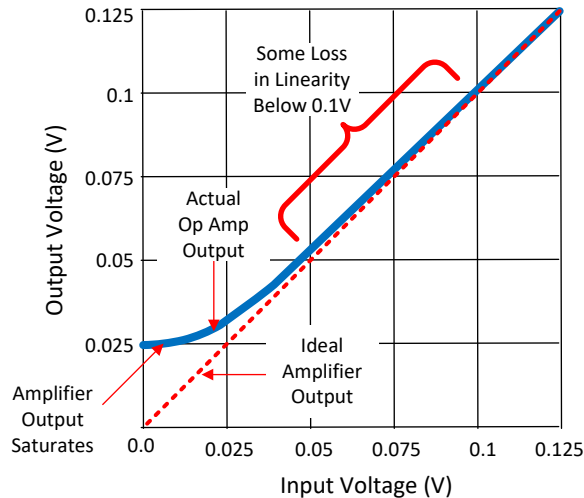
Component Selection

- See the [LM7705 Low-Noise Negative Bias Generator Data Sheet](#) for details on component selection. A key concern for this circuit is the clock feedthrough noise from the LM7705 device. Minimize this noise by choosing larger capacitors (see the following graph). The trade-off for selecting the large capacitors is the size, cost, and complexity of the design.



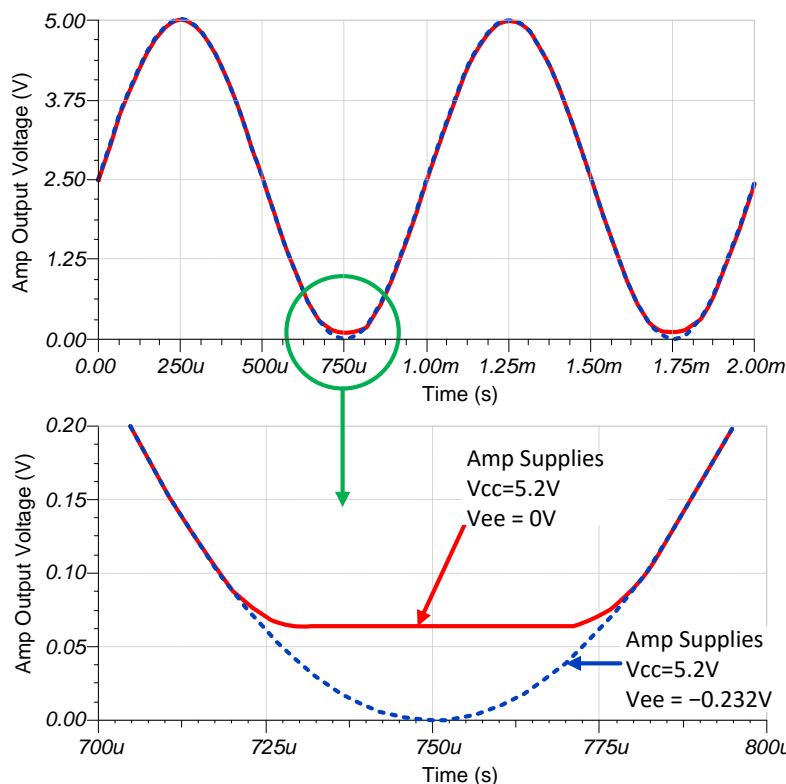
Output vs Input for Typical Amplifier

The following graph shows the output swing limitation for a typical single-supply CMOS op amp as the output approaches 0V. Notice that the amplifier becomes nonlinear about 0.1V from the negative power supply rail. Also, notice that the output saturates (or clips) at 0.25V from the negative rail. Using a small negative supply (−0.232V) eliminates this problem, and the output follows the ideal curve.



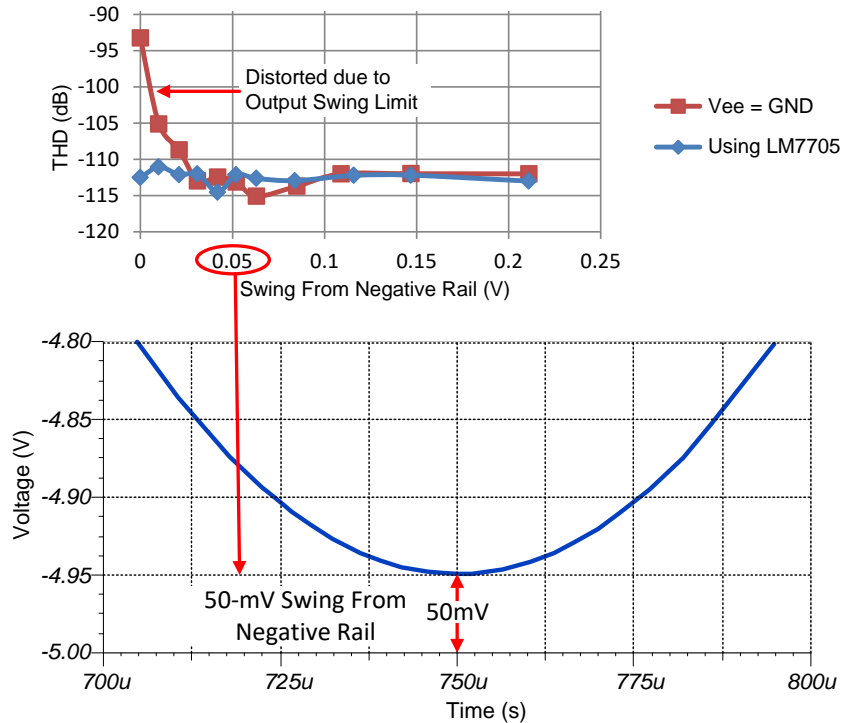
Clipping From Swing Limitations on Negative Rail

This graph shows how the output swing limitation will distort or clip a sinusoidal waveform as it approaches ground. For this example a 5-V_{pp} signal is applied to the input of an op amp with the negative supply connected to GND and −0.232V. The positive supply is connected to 5.2V so there is not an output swing limitation for the positive supply. Notice that the output signal for the amplifier with the grounded negative supply is distorted near ground, whereas the amplifier with the −0.232V negative supply is not distorted near ground.



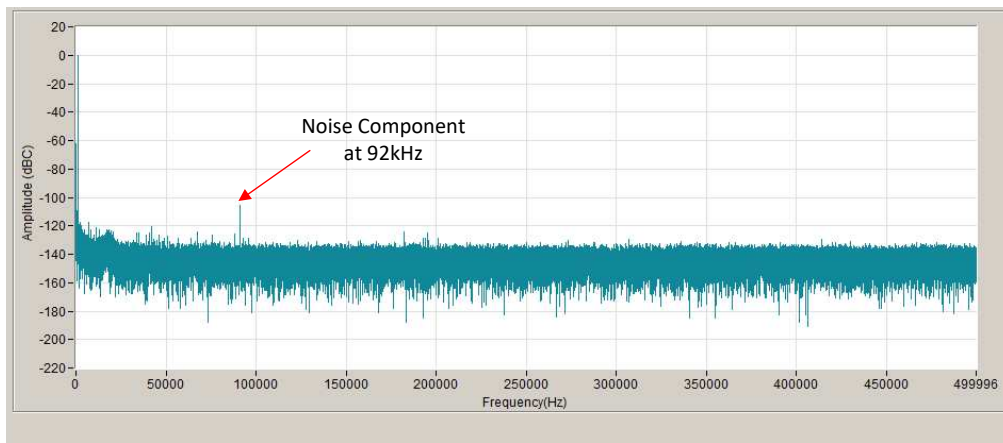
Measured Distortion vs Swing to Rail With and Without the LM7705

This graph shows the measured THD for an OPA320 op amp driving an ADS8860 SAR ADC with a -0.232V negative supply (LM7705) and a grounded negative supply. This curve shows that the amplifier output is distorted when the swing from the power supply rail is less than 50mV for the 0-V negative supply, whereas it is not distorted for the -0.232-V supply.



Measured FFT Showing LM7705 Switching Noise

The following FFT chart shows the measured performance for an OPA320 op amp driving an ADS8860 SAR ADC using an LM7705 device to generate the -0.232-V supply. The key point here is that the noise from the switched capacitor inverter signal is visible at 92kHz. This noise is relatively low and has little impact on SNR and THD for the device.



Design Featured Devices and Alternative Parts

Device	Key Features	Link	Other Possible Devices
LM7705	Switched capacitor voltage inverter, regulated output voltage -0.232 V, output voltage ripple 4 mV _{pp} , supply voltage 3 V to 5.25 V	www.ti.com/product/LM7705	www.ti.com/product/TPS7A3901
ADS8860	16-bit resolution, SPI, 1-MSPS sample rate, single-ended input, V_{REF} input range 2.5 V to 5.0 V.	www.ti.com/product/ADS7042	www.ti.com/adcs
OPA320	20-MHz bandwidth, rail-to-rail with zero crossover distortion, V_{OS} (MAX) = 150 μ V, V_{OS} (DriftMAX) = 5 μ V/ $^{\circ}$ C, e_n = 7 nV/ \sqrt{Hz}	www.ti.com/product/OPA320	www.ti.com/opamps

Design References

See [Analog Engineer's Circuit Cookbooks](#) for TI's comprehensive circuit library.

IMPORTANT NOTICE AND DISCLAIMER

TI PROVIDES TECHNICAL AND RELIABILITY DATA (INCLUDING DATASHEETS), DESIGN RESOURCES (INCLUDING REFERENCE DESIGNS), APPLICATION OR OTHER DESIGN ADVICE, WEB TOOLS, SAFETY INFORMATION, AND OTHER RESOURCES "AS IS" AND WITH ALL FAULTS, AND DISCLAIMS ALL WARRANTIES, EXPRESS AND IMPLIED, INCLUDING WITHOUT LIMITATION ANY IMPLIED WARRANTIES OF MERCHANTABILITY, FITNESS FOR A PARTICULAR PURPOSE OR NON-INFRINGEMENT OF THIRD PARTY INTELLECTUAL PROPERTY RIGHTS.

These resources are intended for skilled developers designing with TI products. You are solely responsible for (1) selecting the appropriate TI products for your application, (2) designing, validating and testing your application, and (3) ensuring your application meets applicable standards, and any other safety, security, or other requirements. These resources are subject to change without notice. TI grants you permission to use these resources only for development of an application that uses the TI products described in the resource. Other reproduction and display of these resources is prohibited. No license is granted to any other TI intellectual property right or to any third party intellectual property right. TI disclaims responsibility for, and you will fully indemnify TI and its representatives against, any claims, damages, costs, losses, and liabilities arising out of your use of these resources.

TI's products are provided subject to TI's Terms of Sale (www.ti.com/legal/termsofsale.html) or other applicable terms available either on ti.com or provided in conjunction with such TI products. TI's provision of these resources does not expand or otherwise alter TI's applicable warranties or warranty disclaimers for TI products.

Mailing Address: Texas Instruments, Post Office Box 655303, Dallas, Texas 75265
Copyright © 2019, Texas Instruments Incorporated