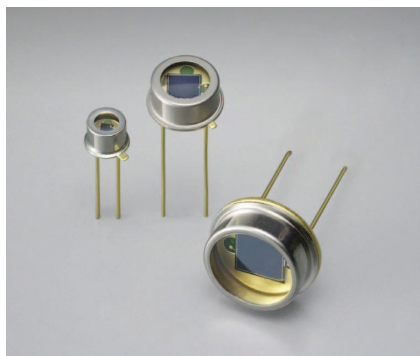


Si photodiodes

S12698 series



High UV resistance, photodiodes for UV monitor

The S12698 series are Si photodiodes that have achieved high reliability for monitoring ultraviolet light. They exhibit low sensitivity deterioration under UV light irradiation and are suitable for applications such as monitoring intense UV light sources.

Features

- With UV glass window (hermetically sealed)
- High sensitivity in UV region
- High reliability for monitoring UV light irradiation
- No resin that causes outgassing

Applications

- Power monitor for UV light sources
- Analytical instrument
- Optical measurement equipment

Structure / Absolute maximum ratings

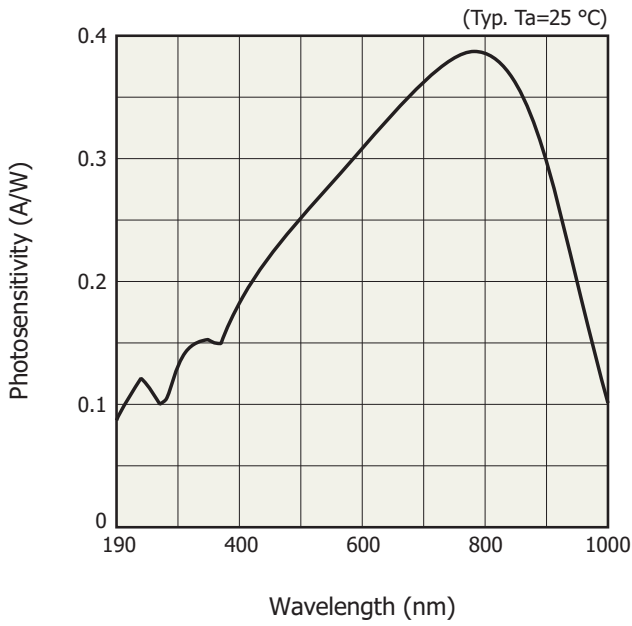
Type no.	Window material	Package	Photosensitive area size (mm)	Absolute maximum ratings		
				Reverse voltage VR max (V)	Operating temperature Topr (°C)	Storage temperature Tstg (°C)
S12698	UV glass	TO-18	1.1 × 1.1	5	-40 to +100	-55 to +125
S12698-01		TO-5	2.4 × 2.4			
NEW S12698-04			3.6 × 3.6			
S12698-02		TO-8	5.8 × 5.8			

Note: Exceeding the absolute maximum ratings even momentarily may cause a drop in product quality. Always be sure to use the product within the absolute maximum ratings.

Electrical and optical characteristics (Typ. Ta=25 °C, unless otherwise noted)

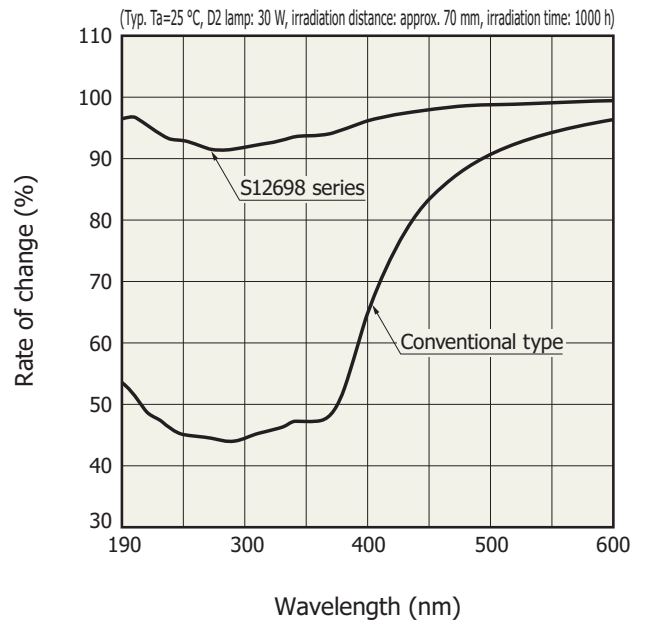
Type no.	Spectral response range λ (nm)	Peak sensitivity wavelength λp (nm)	Photosensitivity S λ=λp (A/W)	Short circuit current Isc 100 lx		Dark current ID VR=10 mV max. (pA)	Temp. coefficient of ID TCID (times/°C)	Rise time tr VR=0 V RL=1 kΩ λ=655 nm (μs)	Terminal capacitance Ct VR=0 V f=10 kHz (pF)	Shunt resistance Rsh min. (GΩ)	Noise equivalent power NEP (W/Hz ^{1/2})
				Min. (μA)	Typ. (μA)						
S12698	190 to 1000	800	0.38	0.6	0.8	10	1.12	0.1	25	1	1 × 10 ⁻¹⁴
S12698-01				1.7	2.5	30		0.5	230	0.3	2 × 10 ⁻¹⁴
NEW S12698-04				4.3	6.5	50		0.6	240	0.2	2.5 × 10 ⁻¹⁴
S12698-02				12	18	100		1.5	700	0.1	3.5 × 10 ⁻¹⁴

Spectral response



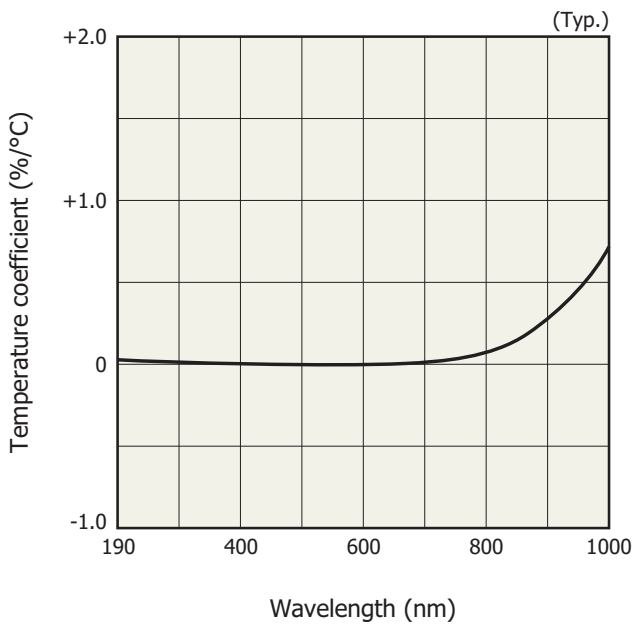
KSPDB0350EB

Changes in spectral response after irradiated with UV light



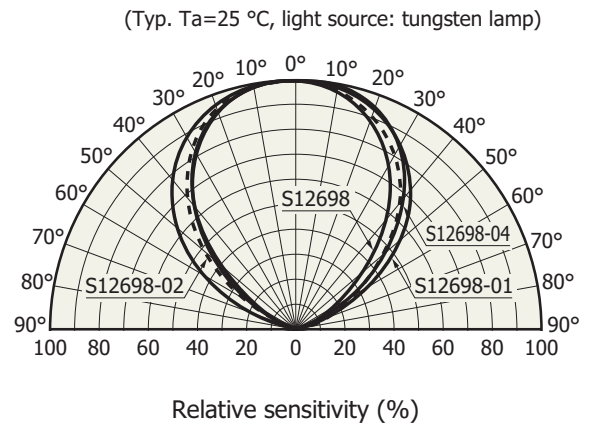
KSPDB0355EA

Photosensitivity temperature characteristics



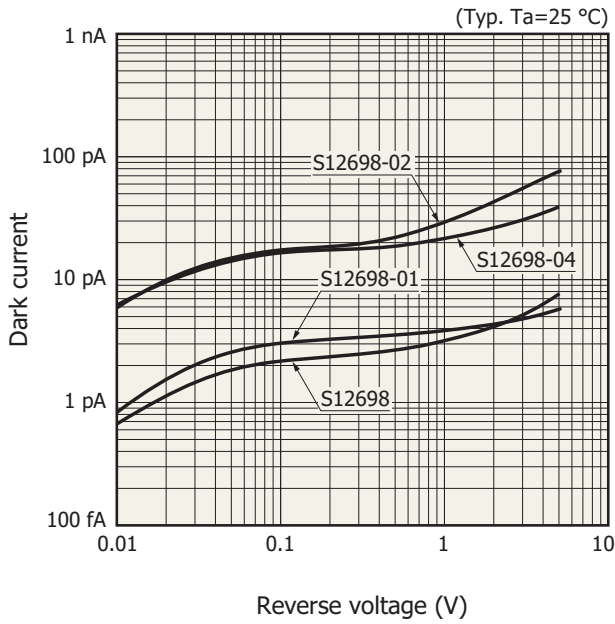
KSPDB0351EC

Directivity



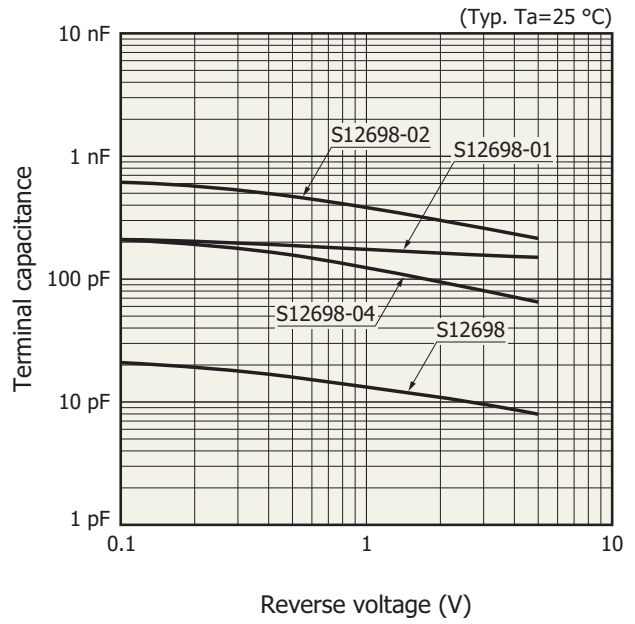
KSPDB0354EB

Dark current vs. reverse voltage



KSPDB0352EB

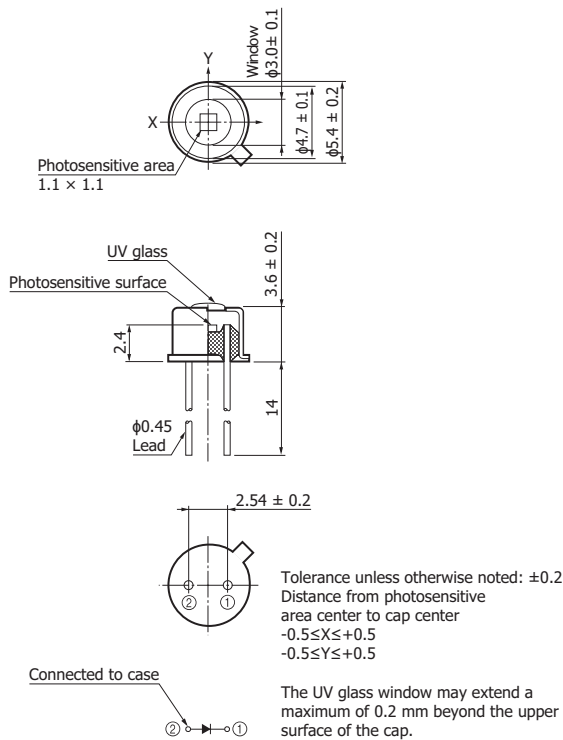
Terminal capacitance vs. reverse voltage



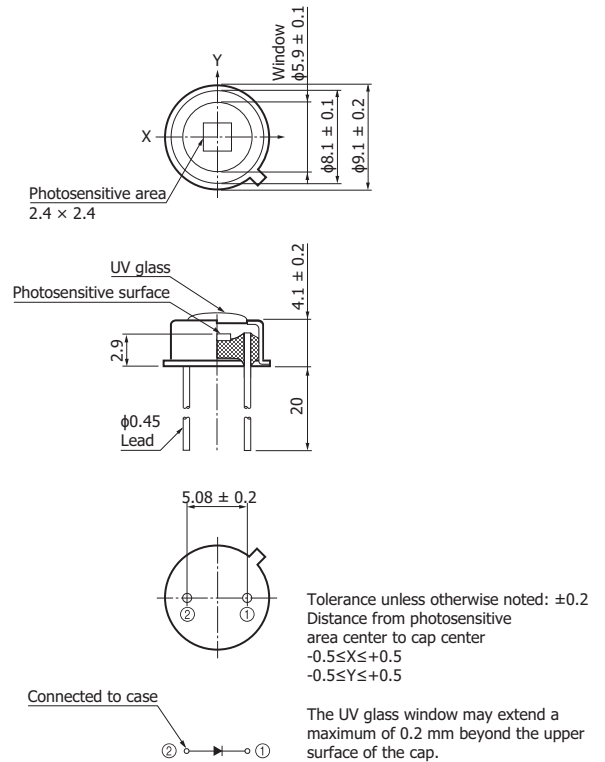
KSPDB0353EB

Dimensional outlines (unit: mm)

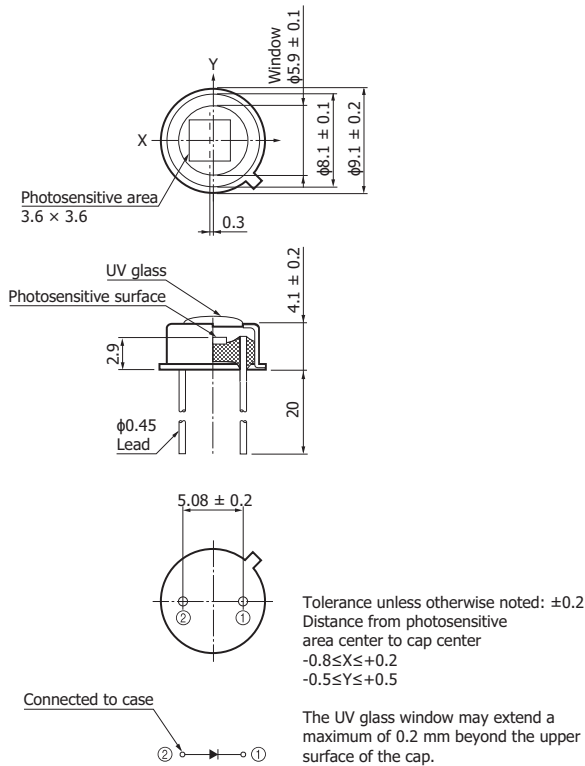
S12698



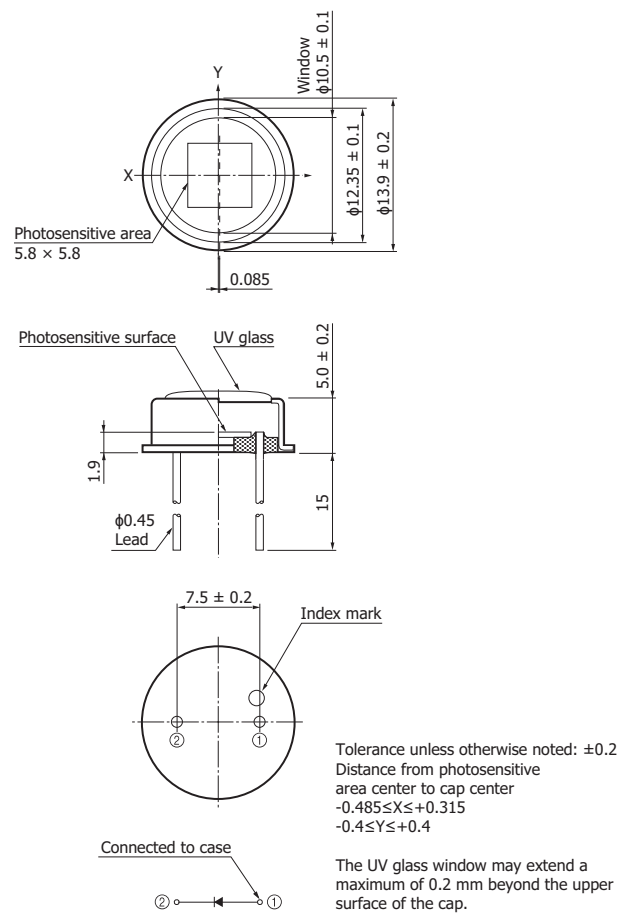
S12698-01



S12698-04



S12698-02



Precautions against UV light exposure

- When UV light irradiation is applied, the product characteristics may degrade. Such examples include degradation of the product's UV sensitivity and increase in dark current. This phenomenon varies depending on the irradiation level, irradiation intensity, usage time, and ambient environment and also varies depending on the product model. Before employing the product, we recommend that you check the tolerance under the ultraviolet light environment that the product will be used in.

Related information

www.hamamatsu.com/sp/ssd/doc_en.html

■ Precautions

- Disclaimer
- Metal, ceramic, plastic package products

■ Technical information

- Si photodiode / Application circuit example

Information described in this material is current as of January 2020

Product specifications are subject to change without prior notice due to improvements or other reasons. This document has been carefully prepared and the information contained is believed to be accurate. In rare cases, however, there may be inaccuracies such as text errors. Before using these products, always contact us for the delivery specification sheet to check the latest specifications.

The product warranty is valid for one year after delivery and is limited to product repair or replacement for defects discovered and reported to us within that one year period. However, even if within the warranty period we accept absolutely no liability for any loss caused by natural disasters or improper product use. Copying or reprinting the contents described in this material in whole or in part is prohibited without our prior permission.

HAMAMATSU

www.hamamatsu.com

HAMAMATSU PHOTONICS K.K., Solid State Division

1126-1 Ichino-cho, Higashi-ku, Hamamatsu City, 435-8558 Japan, Telephone: (81)53-434-3311, Fax: (81)53-434-5184

U.S.A.: Hamamatsu Corporation: 360 Foothill Road, Bridgewater, N.J. 08807, U.S.A., Telephone: (1)908-231-0960, Fax: (1)908-231-1218, E-mail: usa@hamamatsu.com

Germany: Hamamatsu Photonics Deutschland GmbH: Arzbergerstr. 10, D-82211 Herrsching am Ammersee, Germany, Telephone: (49)8152-375-0, Fax: (49)8152-265-8, E-mail: info@hamamatsu.de

France: Hamamatsu Photonics France S.A.R.L.: 19, Rue du Saule Trapu, Parc du Moulin de Massy, 91882 Massy Cedex, France, Telephone: (33)1 69 53 71 00, Fax: (33)1 69 53 71 10, E-mail: infos@hamamatsu.fr

United Kingdom: Hamamatsu Photonics UK Limited: 2 Howard Court, 10 Tewin Road, Welwyn Garden City, Hertfordshire AL7 1BW, United Kingdom, Telephone: (44)1707-294888, Fax: (44)1707-325777, E-mail: info@hamamatsu.co.uk

North Europe: Hamamatsu Photonics Norden AB: Torshamnsgatan 35 16440 Kista, Sweden, Telephone: (46)8-509 031 00, Fax: (46)8-509 031 01, E-mail: info@hamamatsu.se

Italy: Hamamatsu Photonics Italia S.r.l.: Strada della Moia, 1 int. 6, 20020 Arese (Milano), Italy, Telephone: (39)02-93 58 17 33, Fax: (39)02-93 58 17 41, E-mail: info@hamamatsu.it

China: Hamamatsu Photonics (China) Co., Ltd.: B1201, Jiaming Center, No.27 Dongsanhuan Beilu, Chaoyang District, 100020 Beijing, P.R.China, Telephone: (86)10-6586-6006, Fax: (86)10-6586-2866, E-mail: hpc@hamamatsu.com.cn

Taiwan: Hamamatsu Photonics Taiwan Co., Ltd.: 8F-3, No. 158, Section2, Gongdao 5th Road, East District, Hsinchu, 300, Taiwan R.O.C. Telephone: (886)3-659-0080, Fax: (886)3-659-0081, E-mail: info@hamamatsu.com.tw