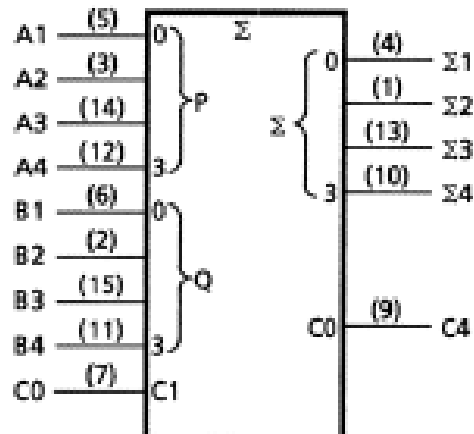


### Logic Diagram



### Truth Table

Inputs			Outputs	
$B_n$	$A_n$	$C_{n-1}$	$\Sigma_n$	$C_n$
L	L	L	L	L
L	L	H	H	L
L	H	L	H	L
L	H	H	L	H
H	L	L	H	L
H	L	H	L	H
H	H	L	L	H
H	H	H	H	H

### Block Diagram

