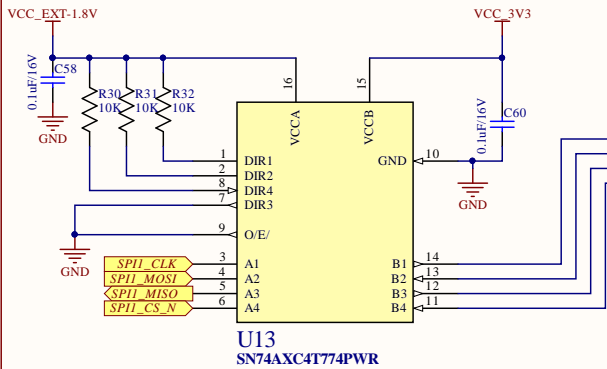
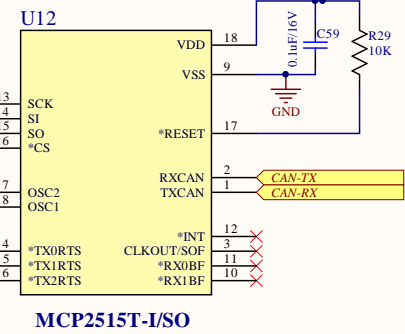


Voltage Translator



CAN Controller



DIRX	Signal Direction
H	A To B
L	B To A