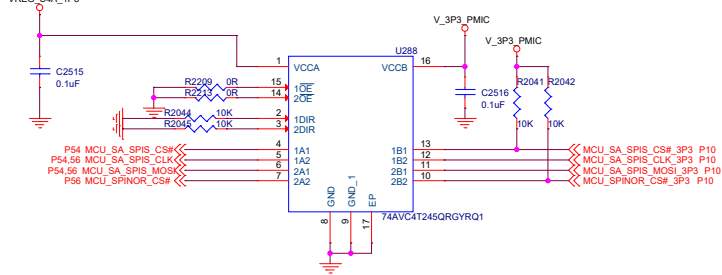
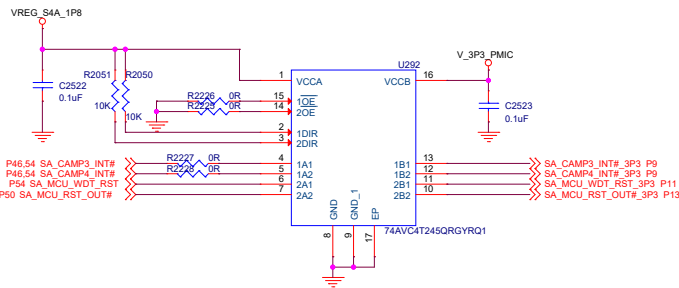
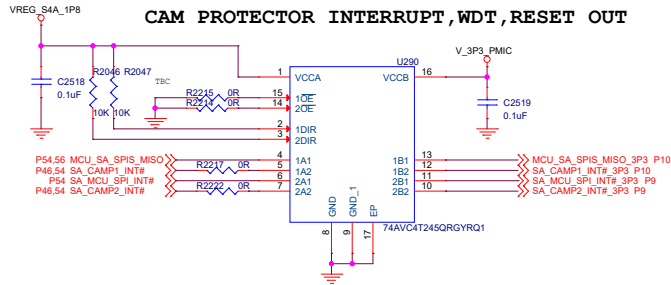


### SAFETY MCU TO SA8195 SPI LEVEL TRANSLATOR

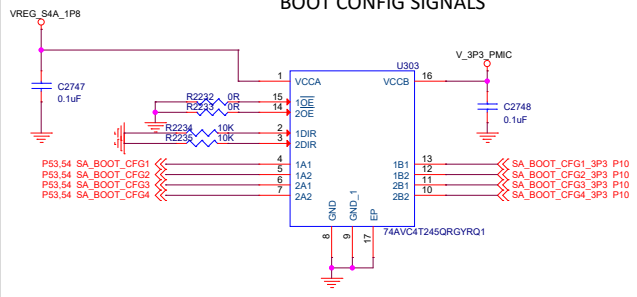


NOTE :  
 PART NUMBER : 74AVC4T245QRGYRQ1  
 VREG\_S4A\_1P8 : 1.8V  
 V\_3P3\_PMIC : 3.3V  
 V\_1P8\_PHPL : 1.8V  
 V\_3P3\_PHPL : 3.3V

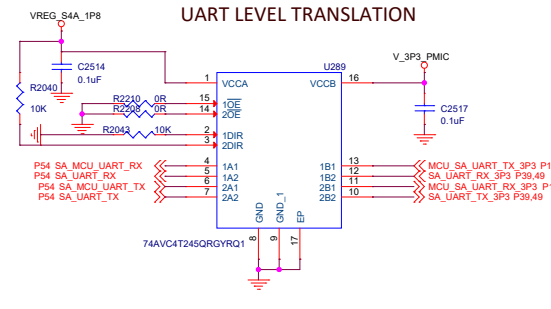
### CAM PROTECTOR INTERRUPT, WDT, RESET OUT



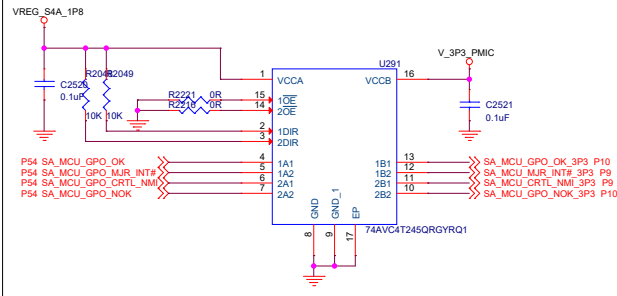
### BOOT CONFIG SIGNALS



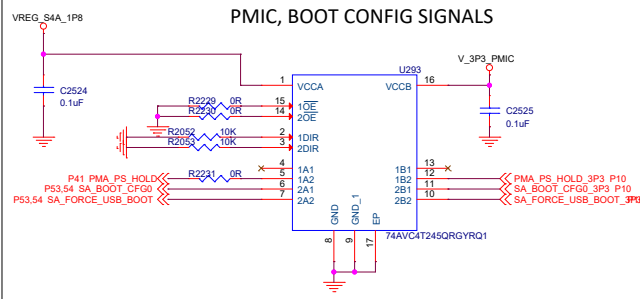
### UART LEVEL TRANSLATION



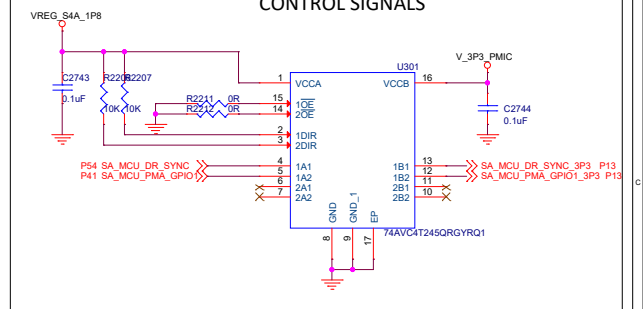
### OK, NOK, MJR, CRCTL LEVEL TRANSLATION



### PMIC, BOOT CONFIG SIGNALS



### CONTROL SIGNALS



### PLN & PLA (QC)

