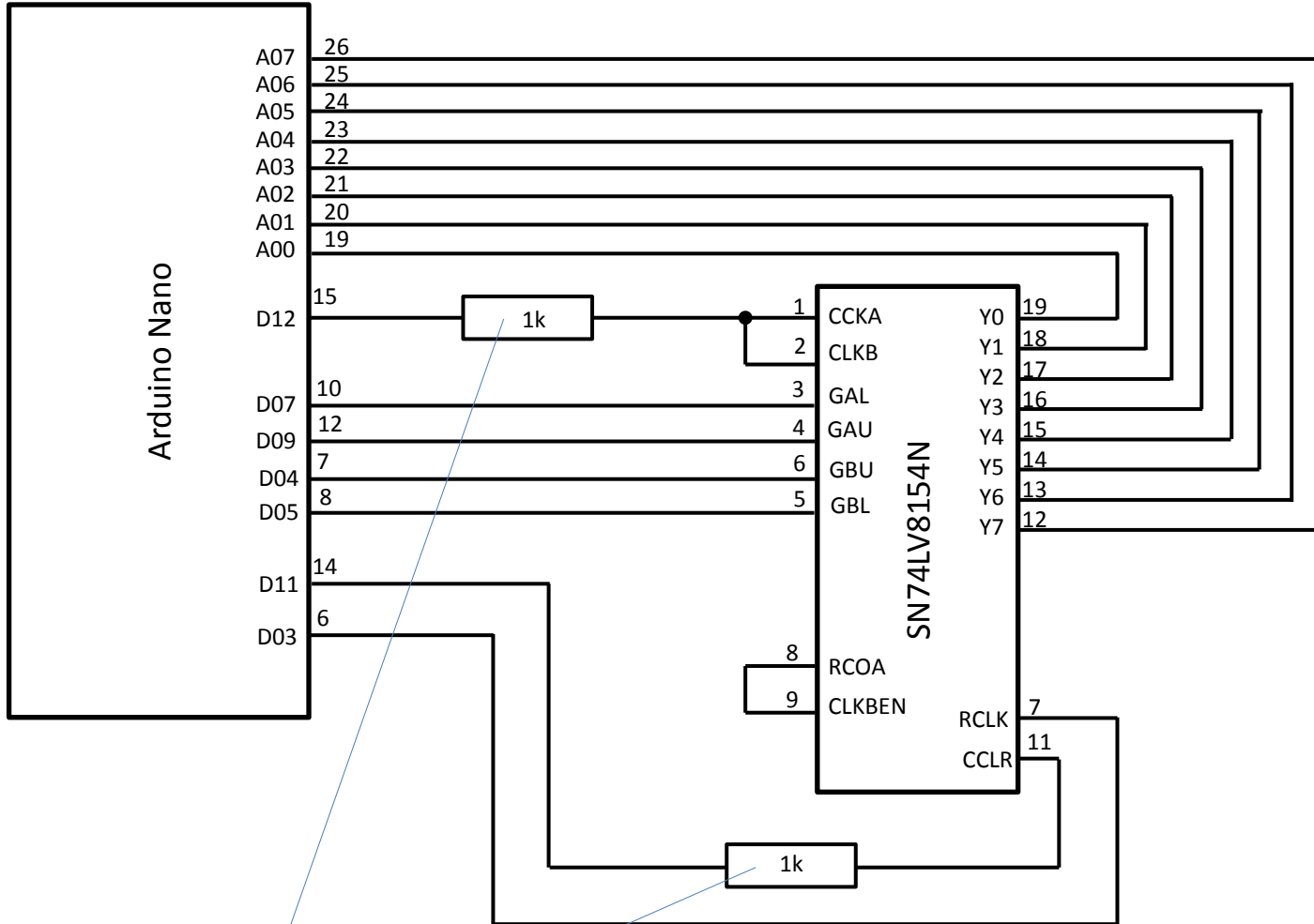
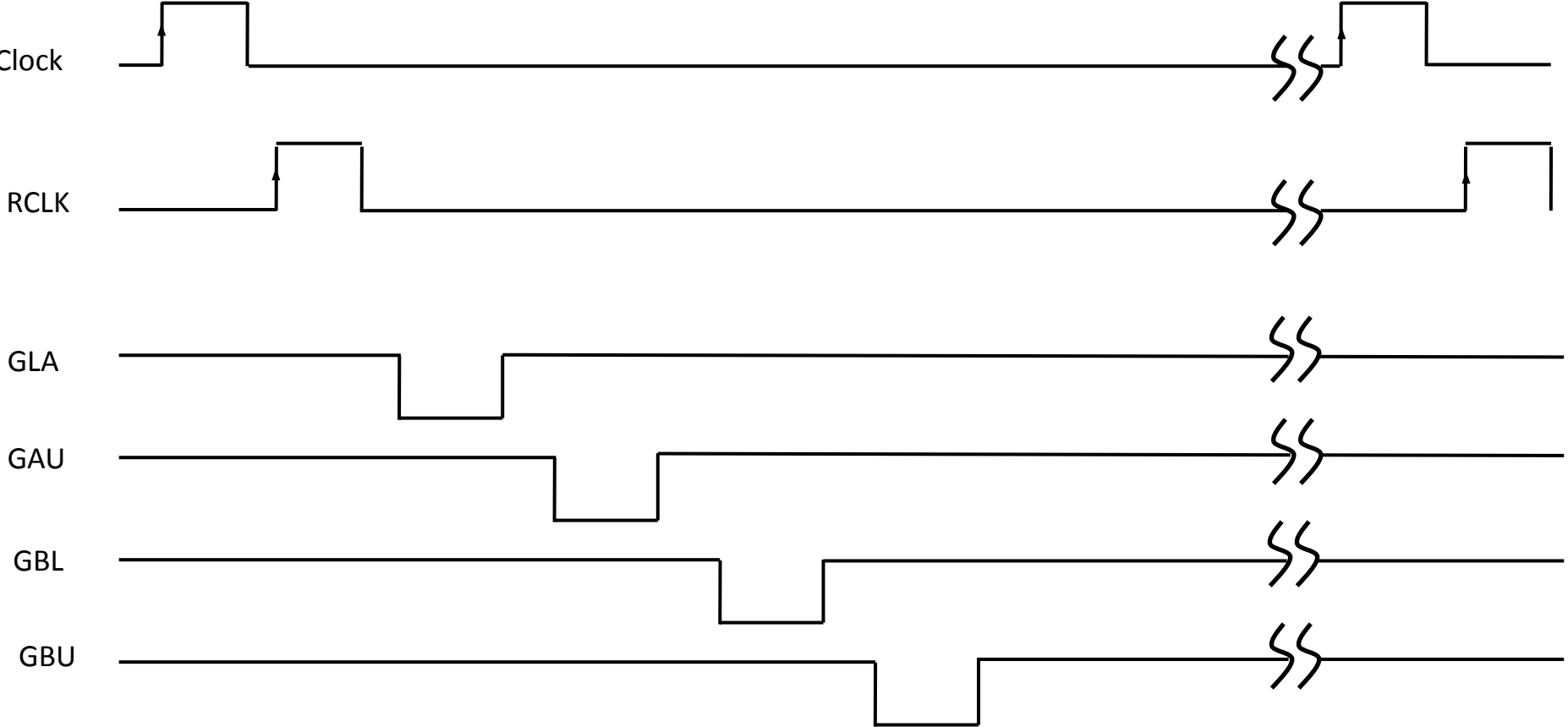


Schematics



Resistors in order get a proper signal

Timing-Diagramm



Reading data of the storage register

Counter Results

```
0000000000000000000011111100110100
16180
0000000000000000000011111100110101
16181
0000000000000000000011111100110110
16182
0000000000000000000011111100110111
16183
0000000000000000000011111100111000
16184
0000000000000000000011111100111001
16185
0000000000000000000011111100111010
16186
0000000000000000000011111100111011
16187
0000000000000000000011111100111100
16188
0000000000000000000011111100111101
16189
0000000000000000000011111100111110
16190
0000000000000000000011111100111111
16191
0000000000000000000000000000000000
0
00000000000000000000000000000000001
1
00000000000000000000000000000000010
2
00000000000000000000000000000000011
3
00000000000000000000000000000000100
```

Scope Screenshot

Clock Pulse

RCLK-Pulse

