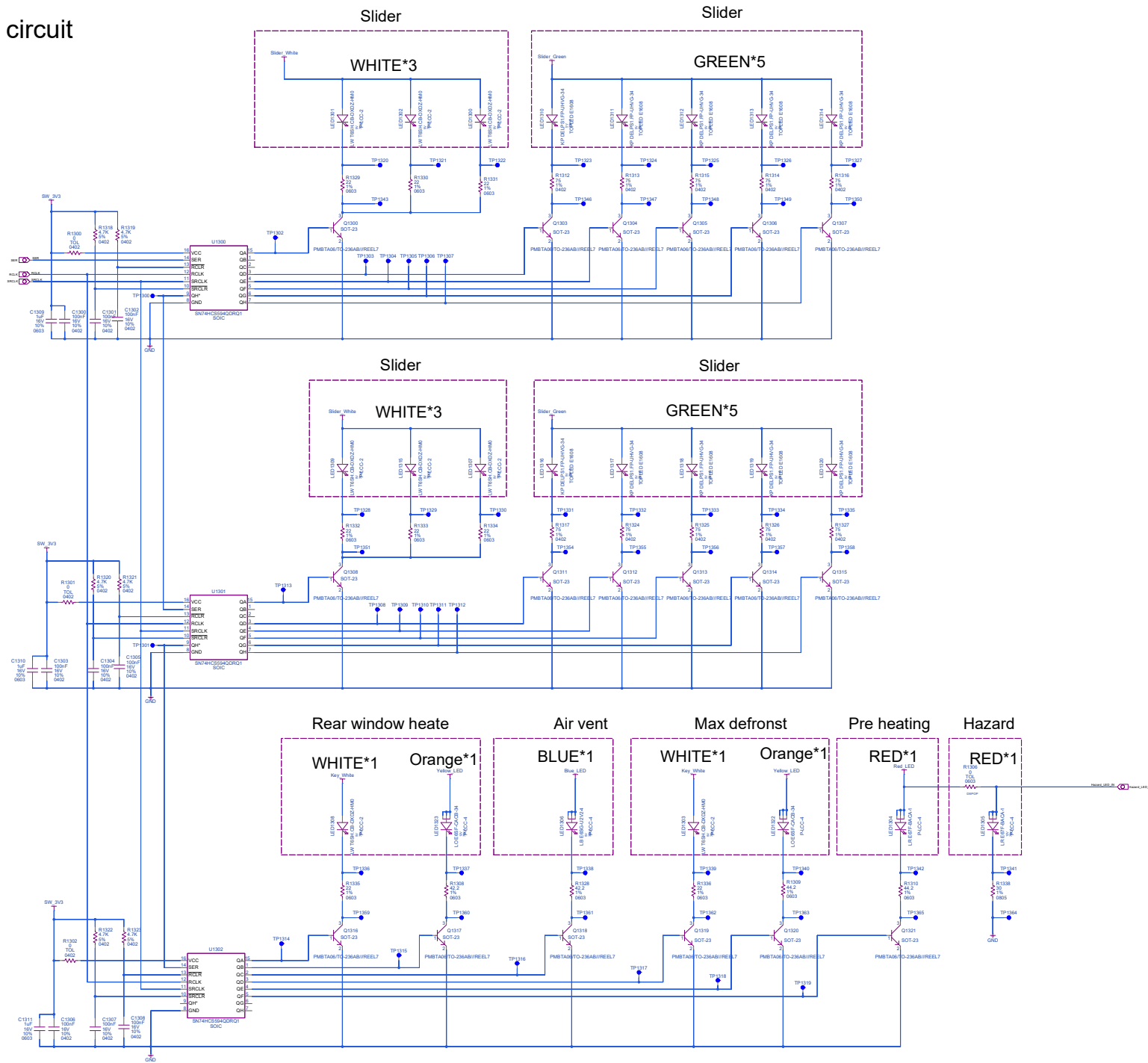


LED circuit



REVISIONS

- | No. | DESCRIPTION | APPROVED BY |
|----------|--|-------------|
| 20211120 | 1. Change the voltage divider resistance of LED. | |
| | 2. Change the Control of the Hazard LED. | |