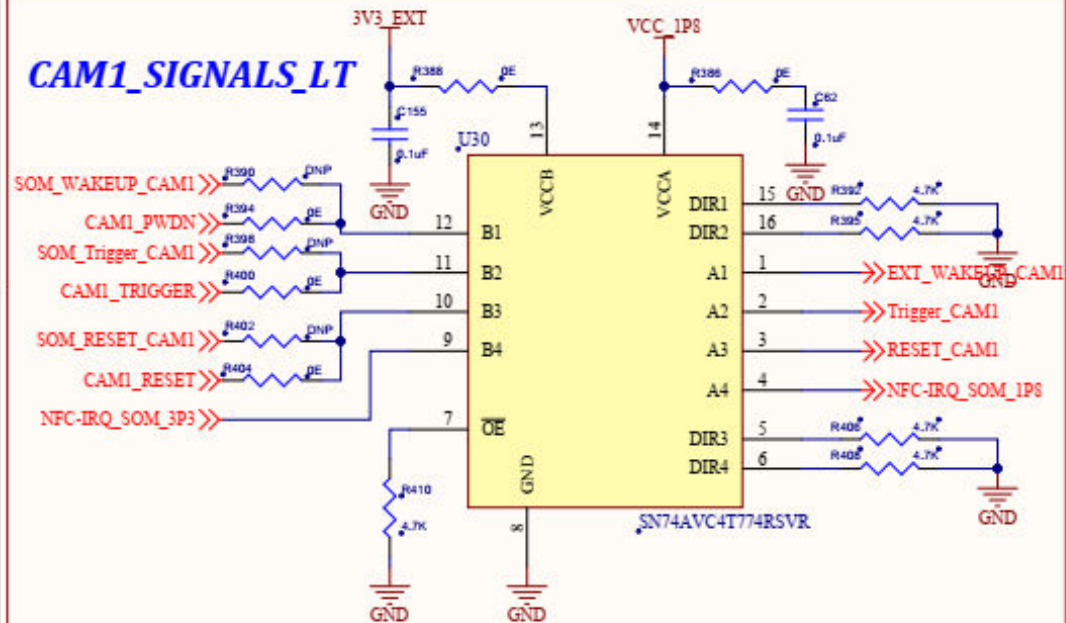


CAM1_SIGNALS_LT



CAM2_SIGNALS_LT

