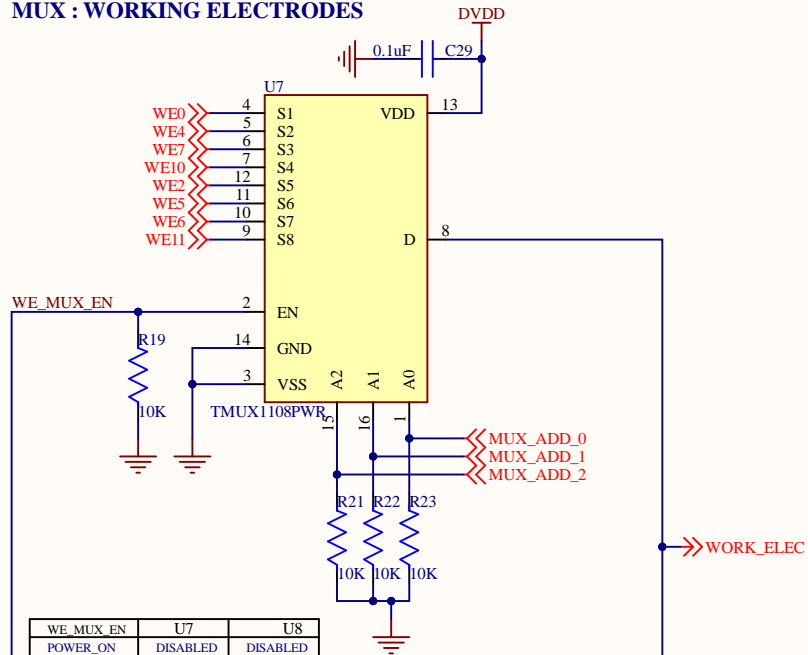
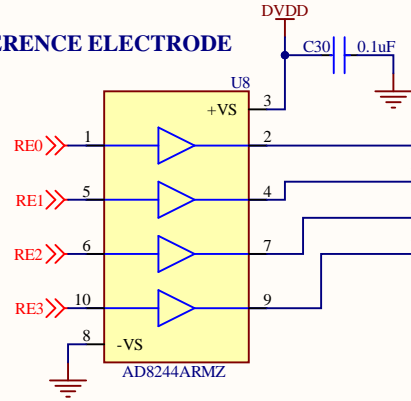


MUX ARRAY

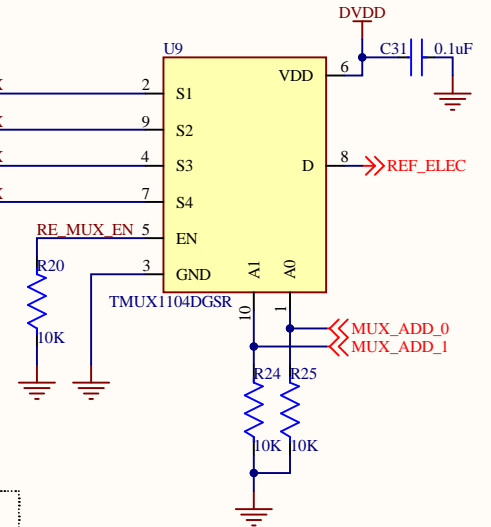
MUX : WORKING ELECTRODES



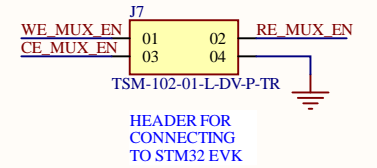
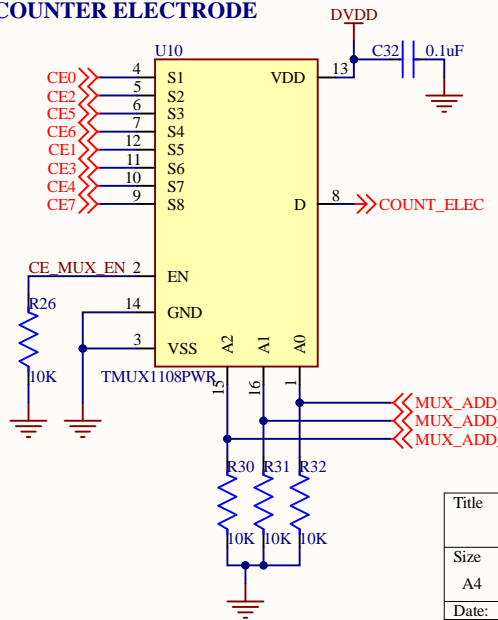
BUFFER : REFERENCE ELECTRODE



MUX : REFERENCE ELECTRODE



MUX : COUNTER ELECTRODE



WE_MUX_EN	U7	U8
POWER_ON	DISABLED	DISABLED
HIGH	ENABLED	DISABLED
LOW	DISABLED	ENABLED

Title		
Size	Number	Revision
A4		
Date:	1/02/2026	Sheet of
File:	C:\Users\...\MUX.SchDoc	Drawn By: