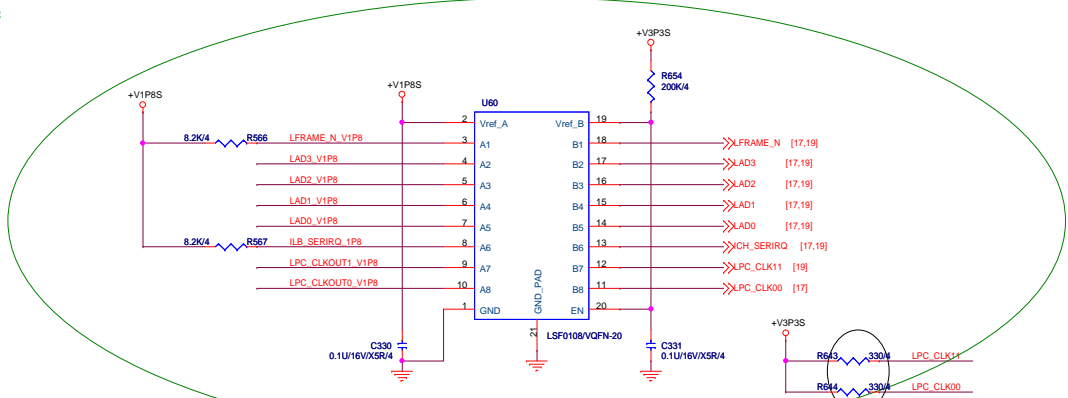


R3: Add R589 pull high +V1P85
0328



R3: 新增LPC 1.8V轉3.3V
0327

R301: chang 4.7KΩ-330Ω

Title		
SOC-6 GPIO, USB		
Size	Document Number	Rev
C	PCOM-B632	R3
Date:	Thursday, April 27, 2017	Sheet 9 of 29