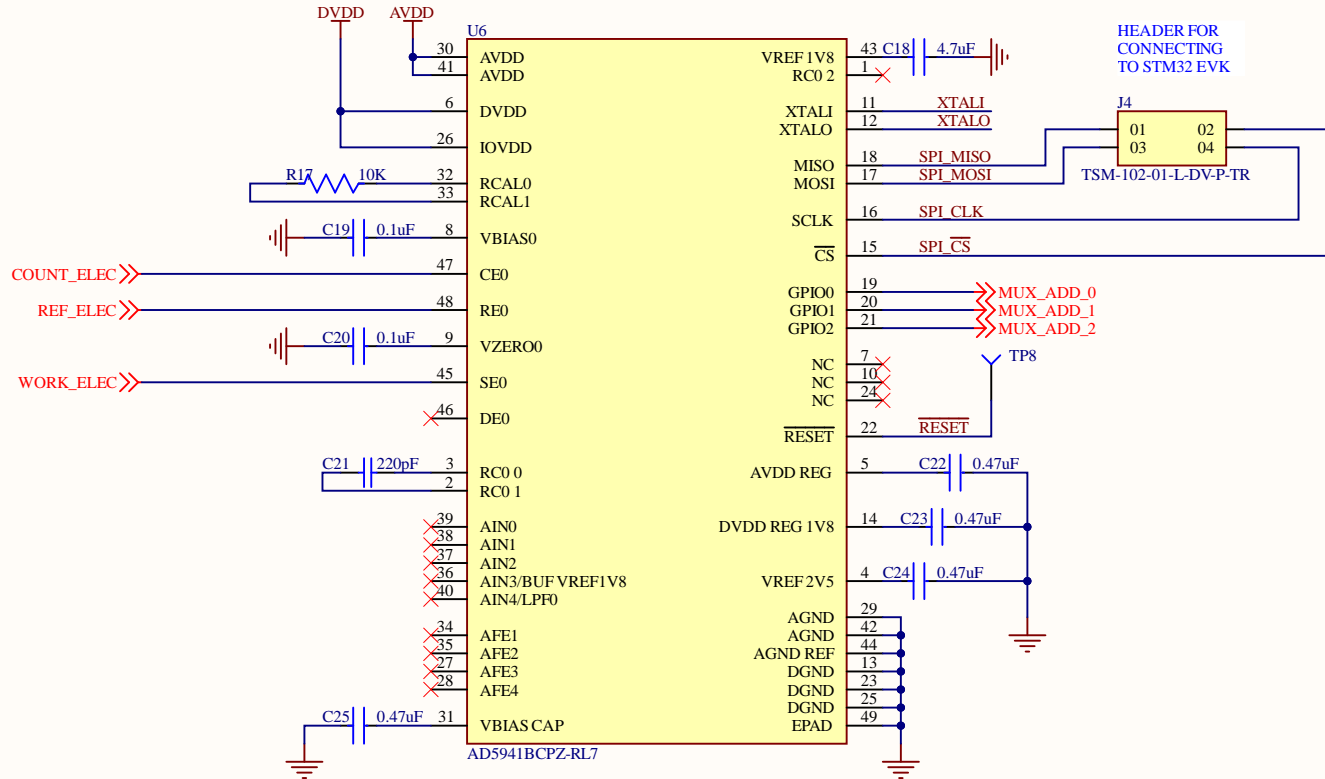
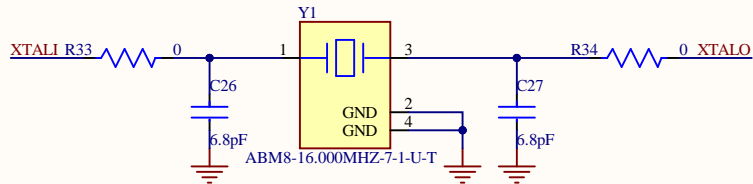


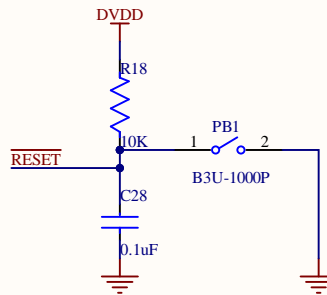
ELECTROCHEMICAL FRONT END



EXTERNAL OSCILLATOR



RESET



LAYOUT GUIDELINES

- Divide the PCB into distinct analog and digital sections.
- Maintain a single, continuous ground plane beneath both areas—do not split it.
- Keep digital traces confined to the digital section on all layers.
- Similarly, route analog traces only within the analog section on all layers.

Title		
Size A4	Number	Revision
Date: 1/02/2026	Sheet of	
File: C:\Users\...\Potentiostat.SchDoc	Drawn By:	