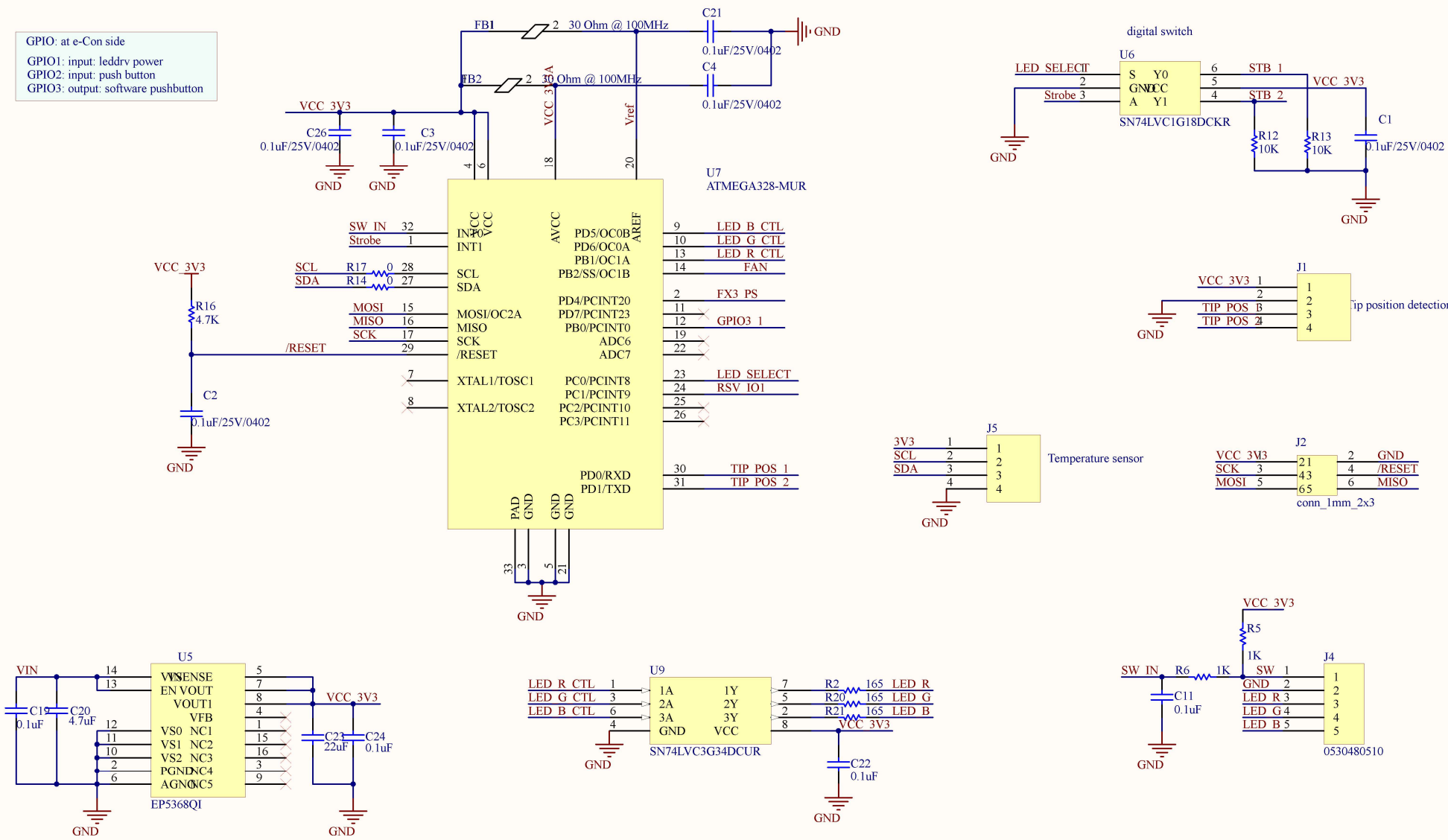


GPIO: at e-Con side  
 GPIO1: input: leddrv power  
 GPIO2: input: push button  
 GPIO3: output: software pushbutton



Title <b>LED DRIVER : MCU</b>		
Size: A4	Number:*	Revision:8.0
Date: 4/30/2018	Time: 8:44:53 AM	Sheet 2 of 2
File: D:\Kelly\LED Driver PCBs\LED Driver V8\MCU.SchDoc		

