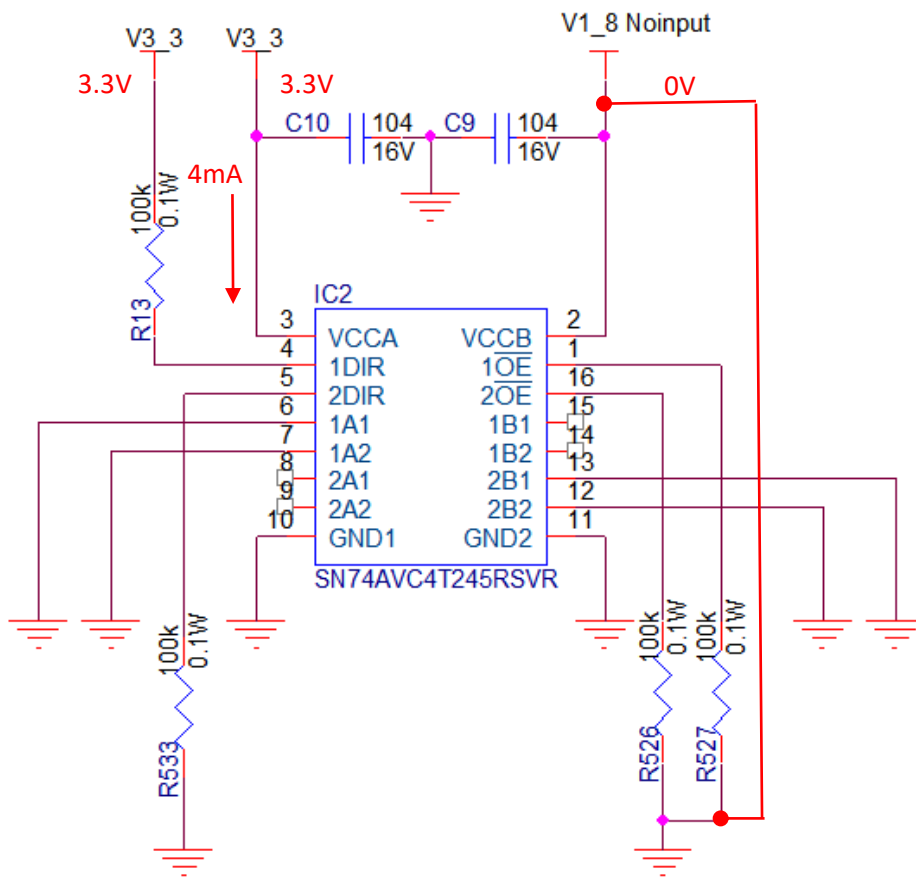


SN74AVC4T245RSV ICCA problem

Kazuya 12/17/2020

The customer measured ICCA (VCCA current) at the following schematic with VCCB is 0V completely. They assumed that ICCA is less than 8uA. But they confirmed the actual ICC was about 4mA.

Could you please tell me why ICCA became about 4mA not 8uA?
Also could you please tell me how to reduce ICCA from 4mA to 8uA?



Your reply would be much appreciated.

Best regards,
Kazuya.