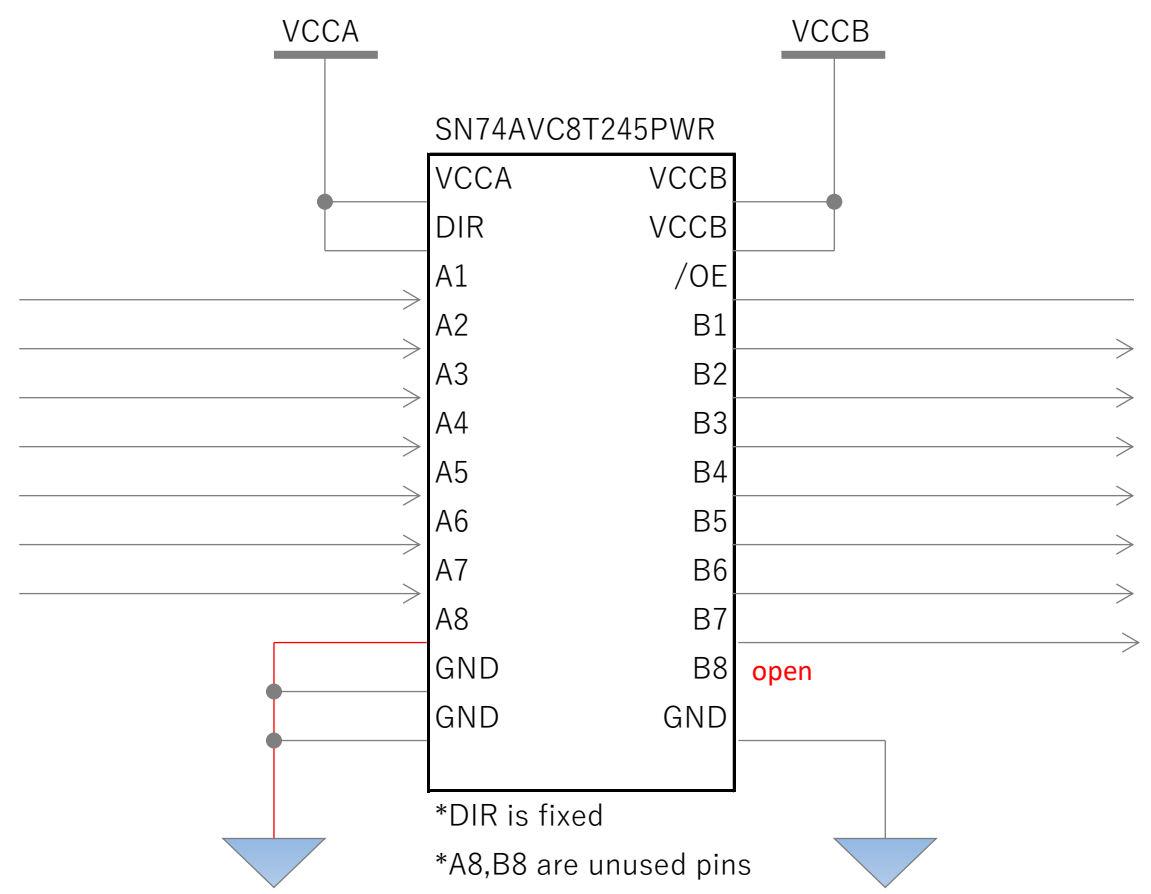
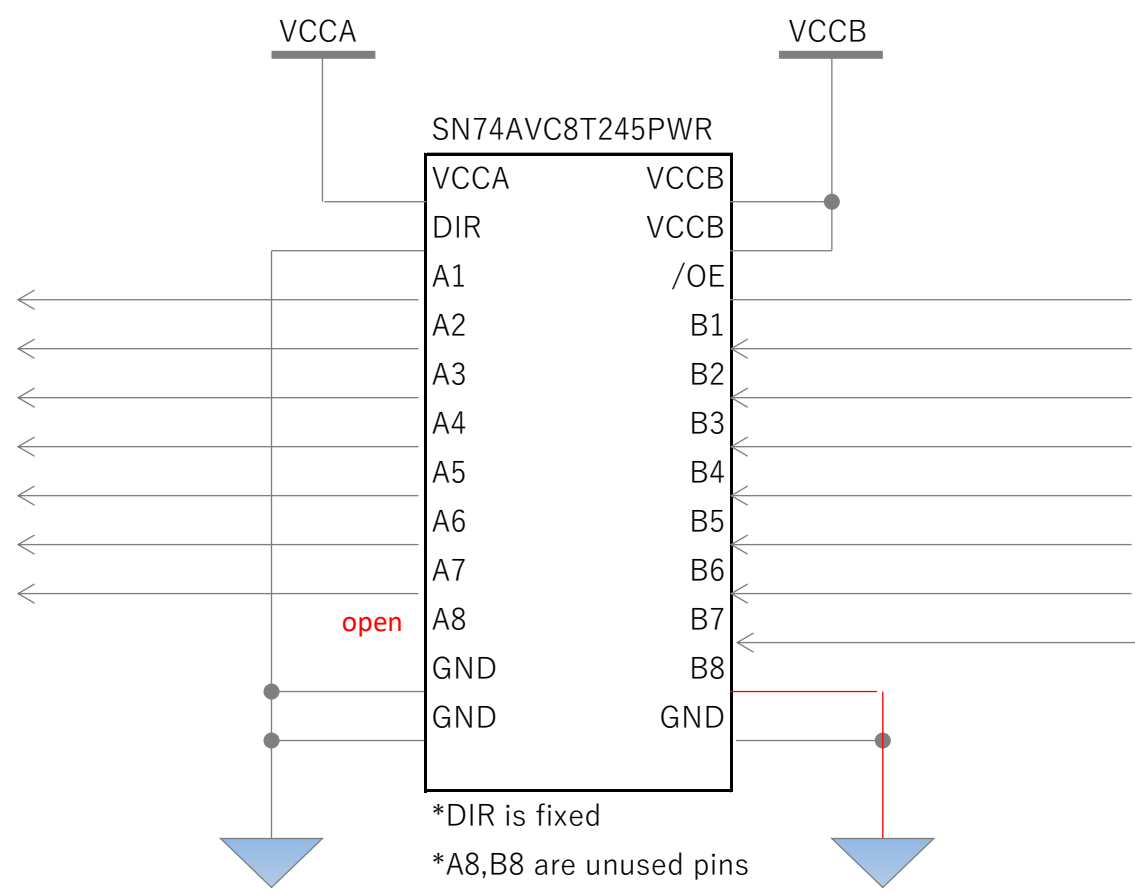


[unused pin connection circuit 1]
Input is tied to GND, Output is open.



[unused pin connection circuit 2]
Input and output are pulled down.

