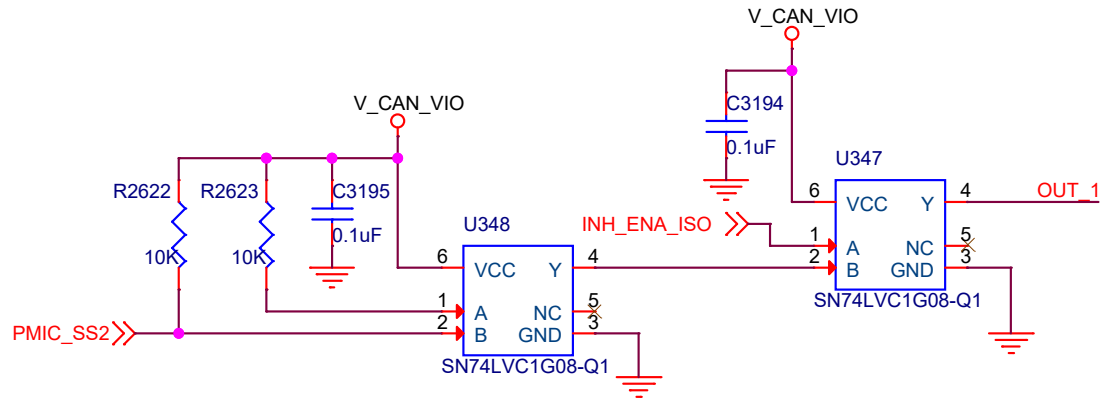


AND GATE



NOTE:
 PART NUMBER : SN74LVC1G08QDRYRQ1
 V_CAN_VIO : 3.3V

Title		
AND GATE		
Size	Document Number	Rev
A	<Doc>	<RevCode>
Date:	Monday, December 28, 2020	Sheet 4 of 19