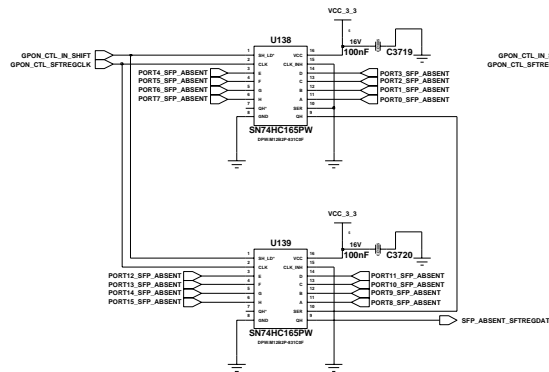


# SHIFT (PISO)

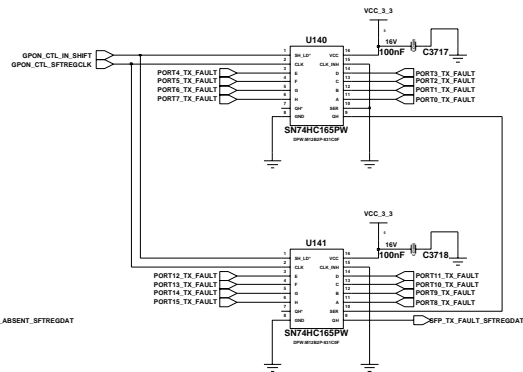
## XFP ABSENT

(Pull ups on XFP side)

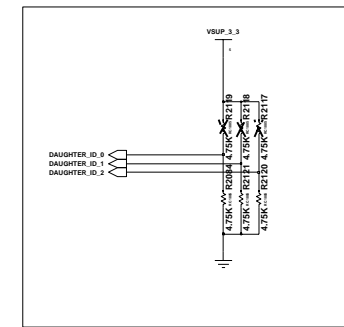
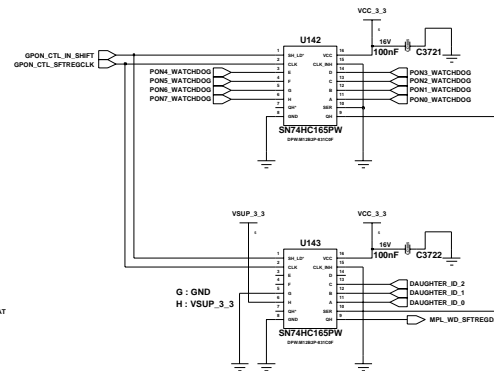


## XFP FAULT

(Pull ups on XFP side)



## MAPLE WATCHDOG



		DASAN Networks, INC.				
					Engineer:	TITLE:
Drawn by:						
R&D CHK:						
Changed by:	Date Changed:	Time:	QA CHK:	REV:	Drawing Number:	68