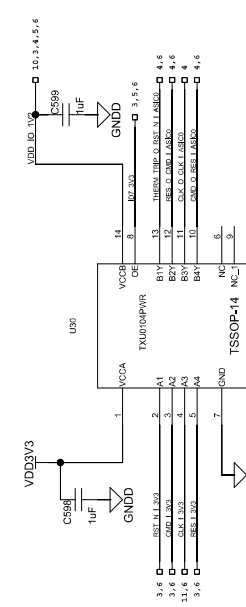
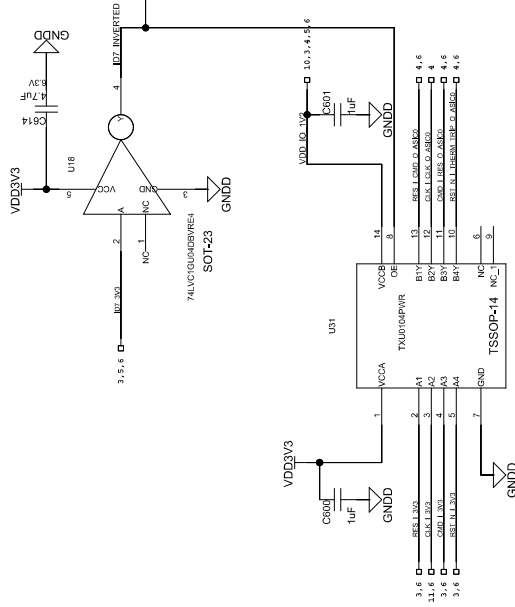


Voltage translators



PROJECT	Evil_Board	SECTION	voltage translator
PART NO.	610-000005	DATE	01/14/2023:18:45
<small>ALL INFORMATION IS PROPRIETARY AND CONFIDENTIAL. USE OR DISCLOSURE WITHOUT WRITTEN PERMISSION IS PROHIBITED.</small>			
REV	001	ENG.	Crash Ahmad
PAGE:	6	of	10