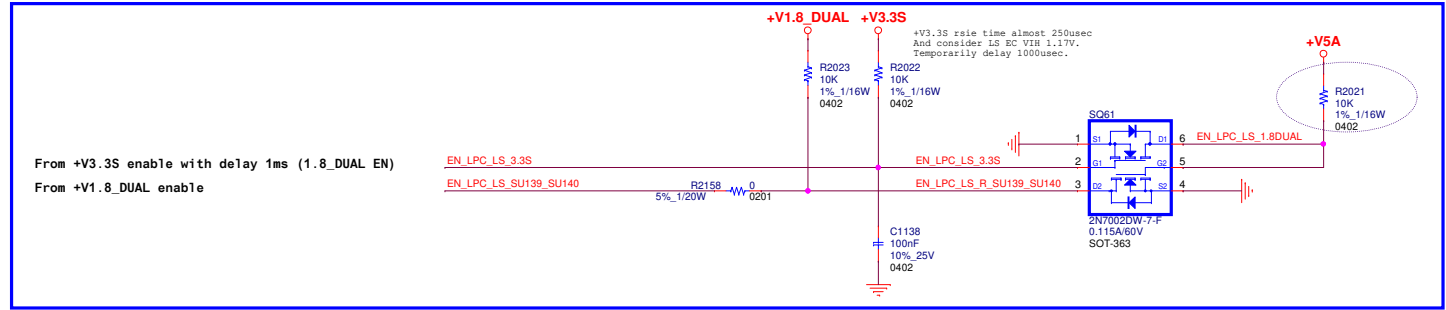
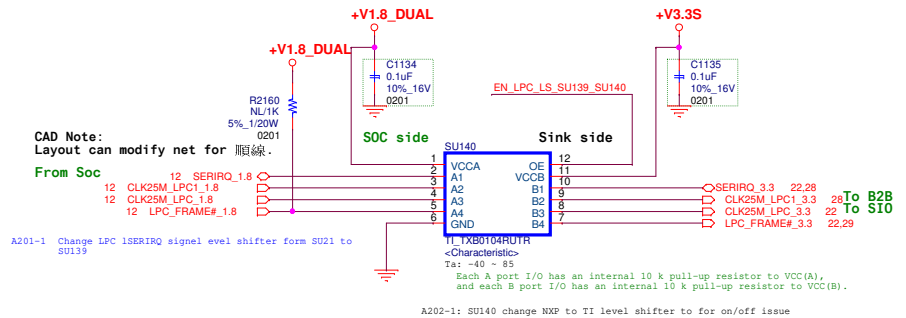


LPC Level shifter Enable



LPC Level shifter



CAD Note:
Layout can modify net for 顯線.

