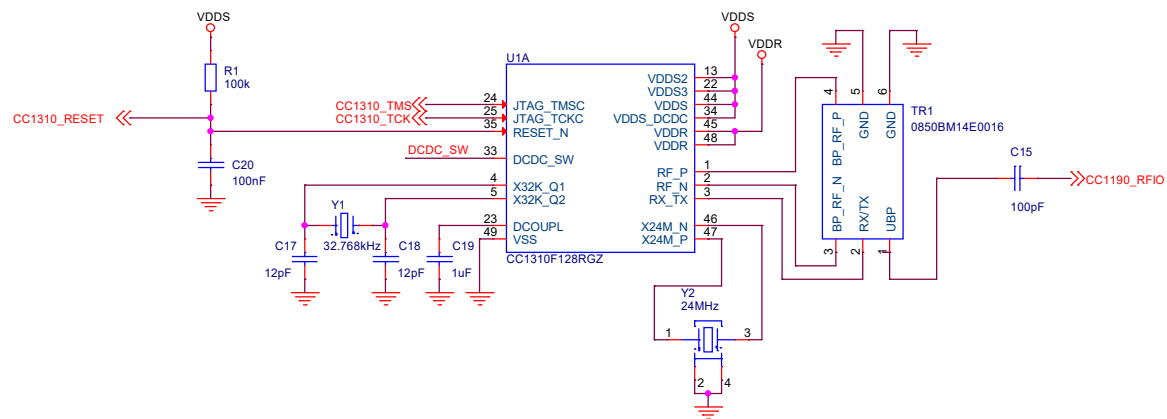
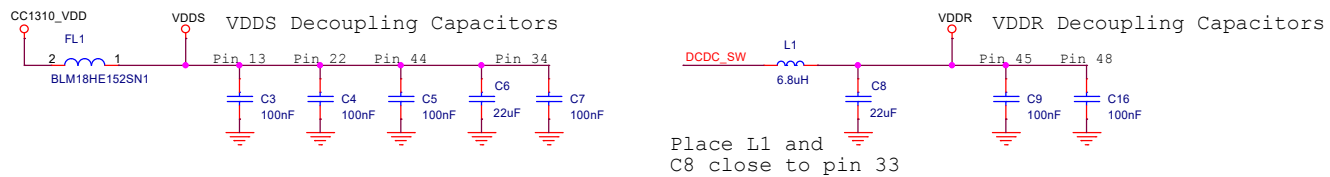

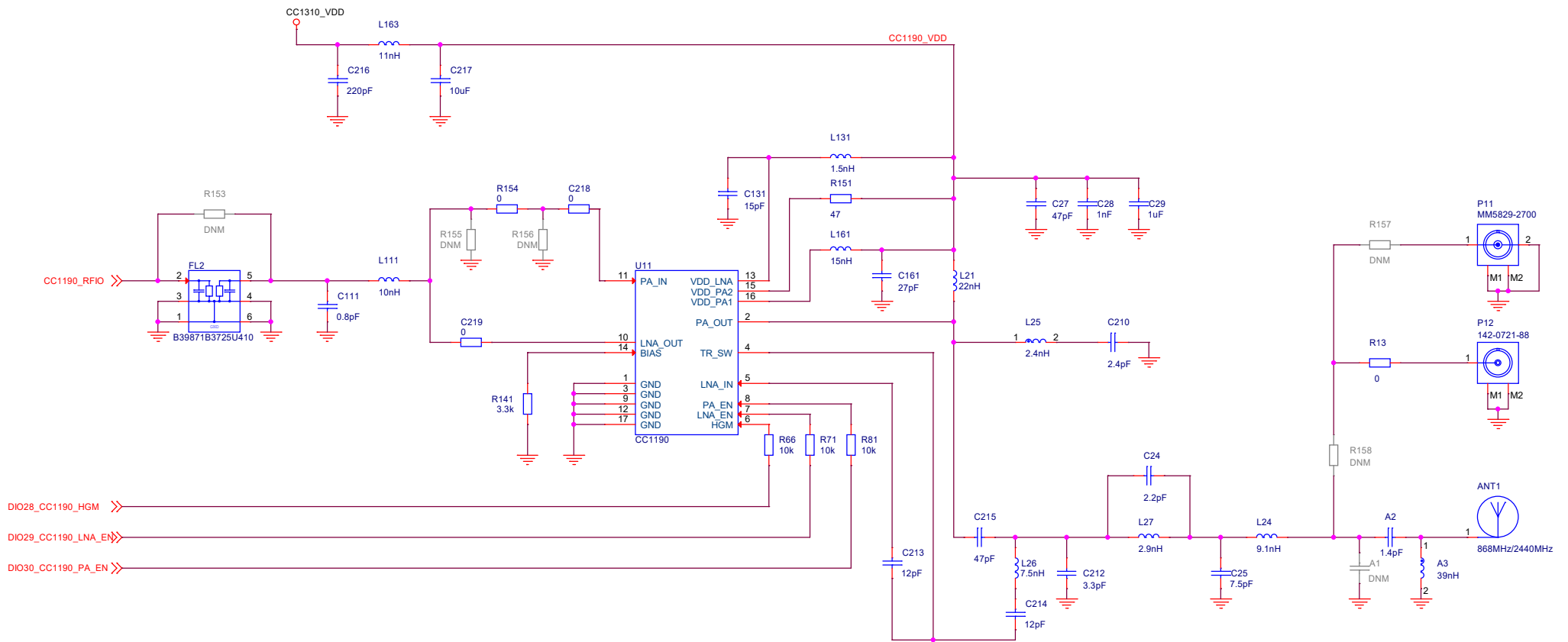


# CC1310 RF



Title: <b>LAUNCHXL-CC13-90EU</b>		 TEXAS INSTRUMENTS	
Drawn:	TER		MCU013
Checked:	NN		
Size:	A3	Rev: 1.3.0	Sheet: 1 of 6
Date:	Tuesday, February 06, 2018		

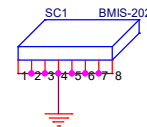
# CC1190 RF



DIO28\_CC1190\_HGM >>  
 DIO29\_CC1190\_LNA\_EN >>  
 DIO30\_CC1190\_PA\_EN >>

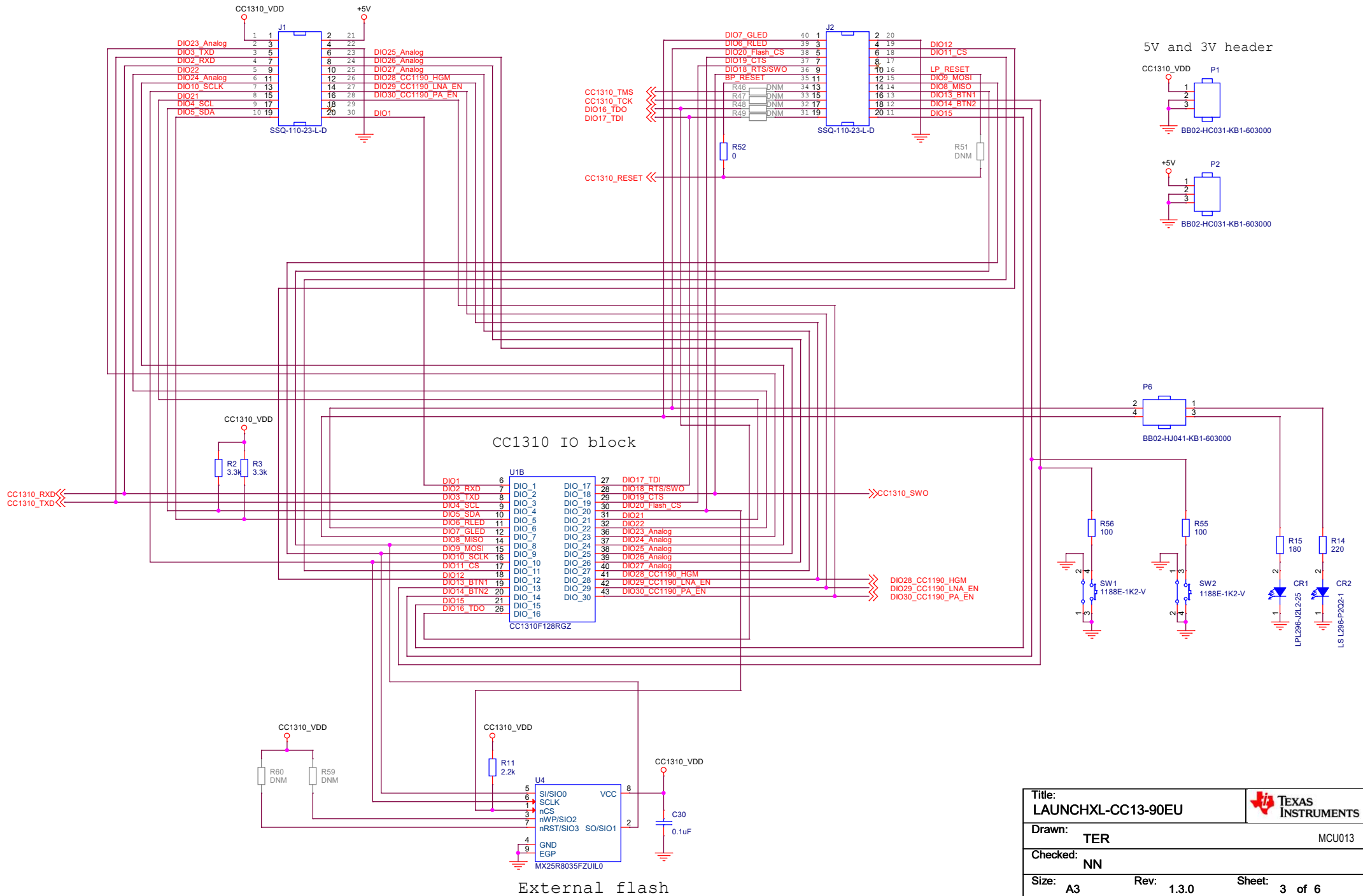
To use the SMA connector,  
 remove A2 and mount a 0 ohm resistor for R158

To use the JSC connector, remove A2 and R13  
 and mount a 0 ohm resistor for R157 and R158



Title: <b>LAUNCHXL-CC13-90EU</b>		 <b>TEXAS INSTRUMENTS</b>	
Drawn:	<b>TER</b>		MCU013
Checked:	<b>NN</b>		
Size:	<b>A3</b>	Rev: <b>1.3.0</b>	Sheet: <b>2 of 6</b>
Date:	<b>Tuesday, February 06, 2018</b>		

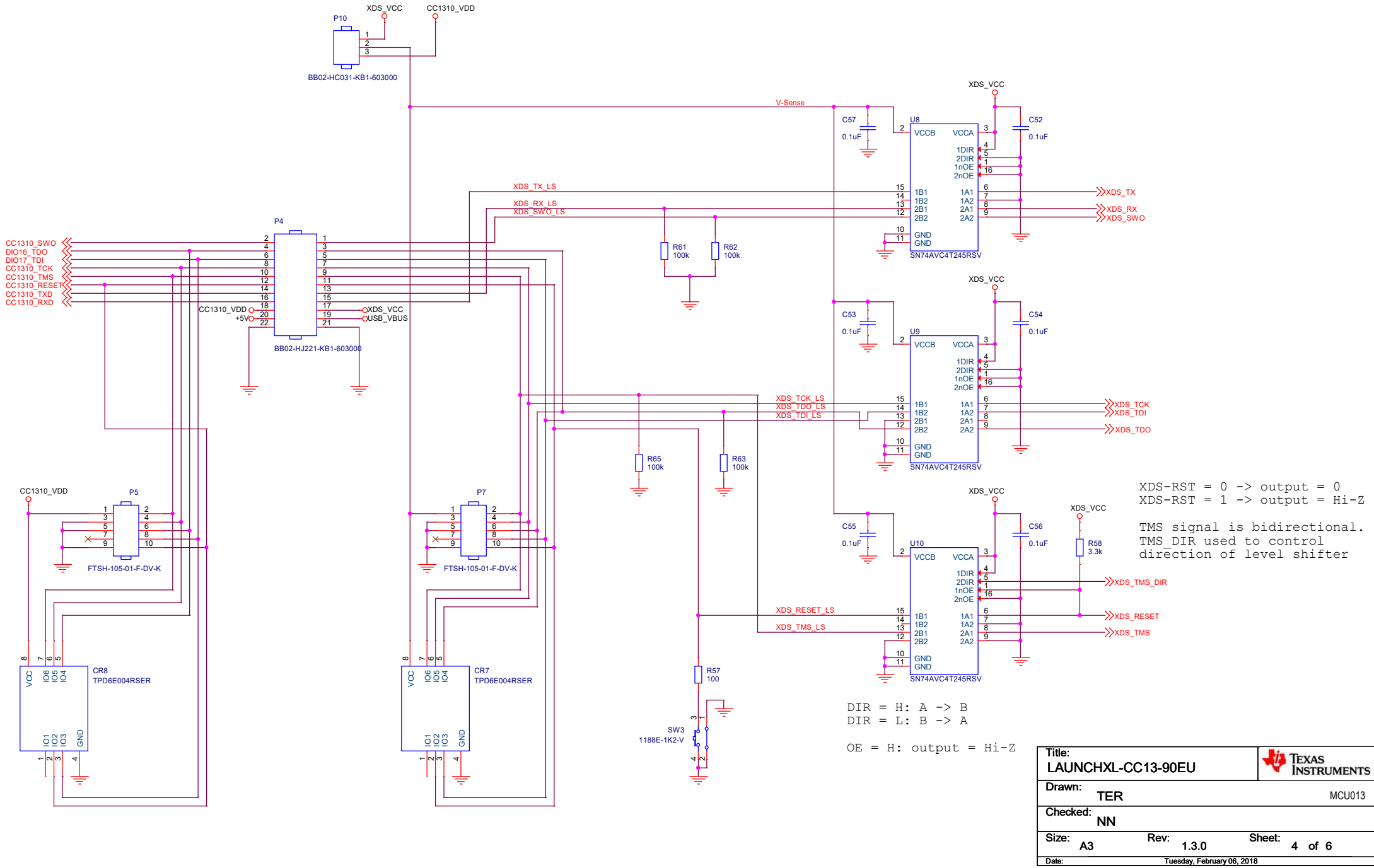
# BoosterPack Headers and Peripherals



Title: <b>LAUNCHXL-CC13-90EU</b>		 TEXAS INSTRUMENTS
Drawn: TER	MCU013	
Checked: NN	Rev: 1.3.0	Sheet: 3 of 6
Size: A3	Date: Tuesday, February 06, 2018	

# XDS110 Debugger Interface

P10 selects the voltage source for the level shifters  
 When powering CC1310 from the XDS supply, connect jumper between pins 1 and 2.  
 When powering CC1310 from the external supply, connect jumper between pins 2 and 3



XDS-RST = 0 -> output = 0  
 XDS-RST = 1 -> output = Hi-Z

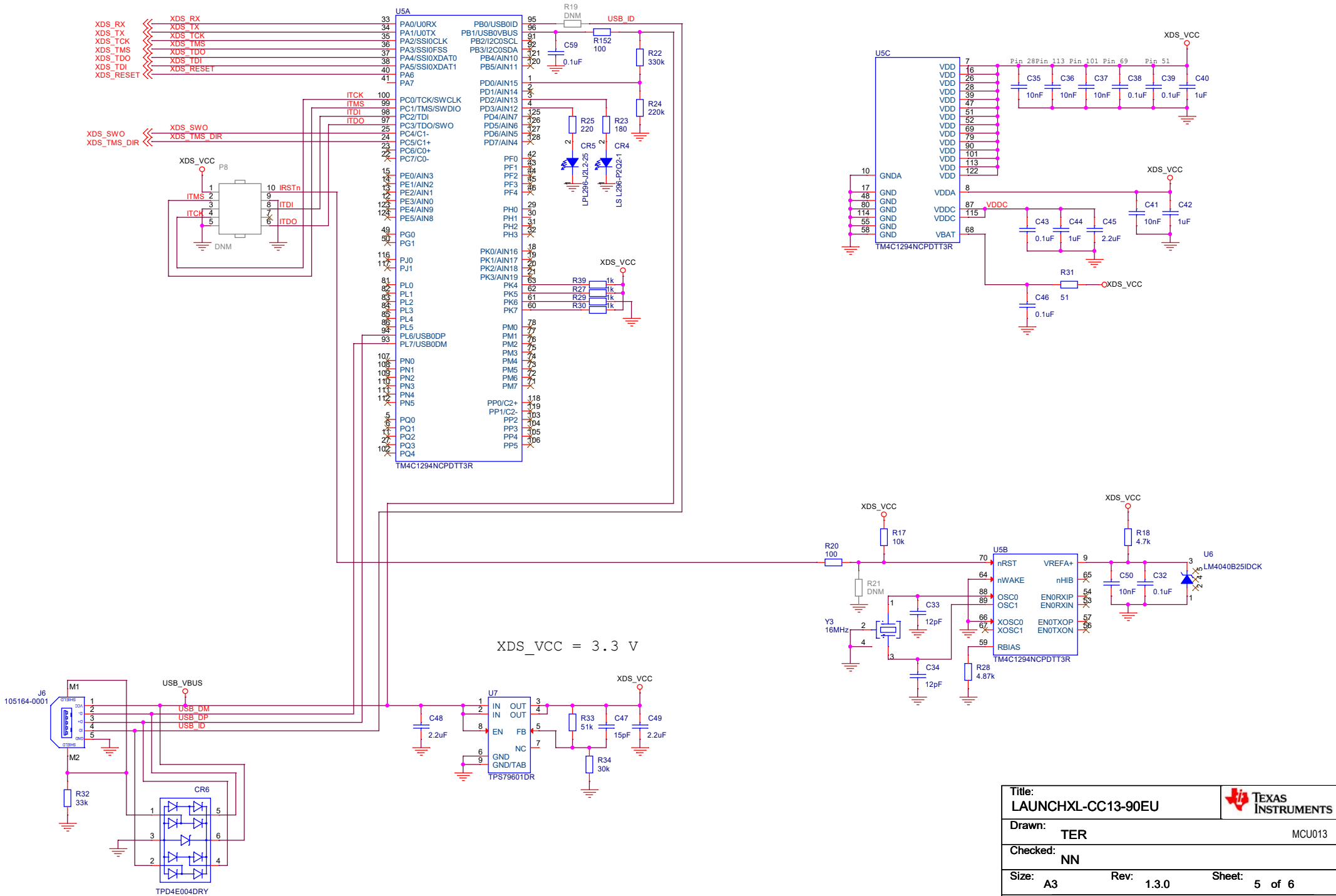
TMS signal is bidirectional.  
 TMS\_DIR used to control  
 direction of level shifter

DIR = H: A -> B  
 DIR = L: B -> A

OE = H: output = Hi-Z

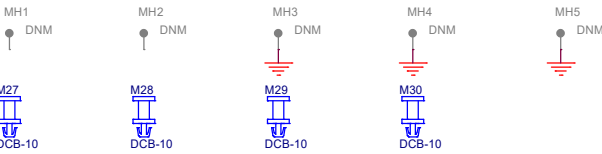
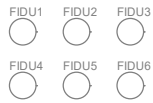
Title: <b>LAUNCHXL-CC13-90EU</b>		 TEXAS INSTRUMENTS
Drawn: <b>TER</b>	MCU013	
Checked: <b>NN</b>		
Size: <b>A3</b>	Rev: <b>1.3.0</b>	Sheet: <b>4 of 6</b>
Date:	Tuesday, February 06, 2018	

# XDS110 Debugger



Title: <b>LAUNCHXL-CC13-90EU</b>		 TEXAS INSTRUMENTS	
Drawn:	TER		MCU013
Checked:	NN		
Size:	A3	Rev: 1.3.0	Sheet: 5 of 6
Date:	Tuesday, February 06, 2018		

# PCB\_SPEC



Jumpers to be mounted on header P4

M13 M14 M15 M16 M17 M18 M19 M20 M21 M22 M23

Jumper to be mounted on P10

M24

Jumpers to be mounted on P6

M25 M26

Title: <b>LAUNCHXL-CC13-90EU</b>			
Drawn:	<b>TER</b>		MCU013
Checked:	<b>NN</b>		
Size:	<b>A3</b>	Rev: <b>1.3.0</b>	Sheet: <b>6 of 6</b>
Date:	<b>Tuesday, February 06, 2018</b>		