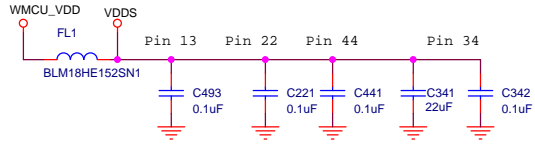


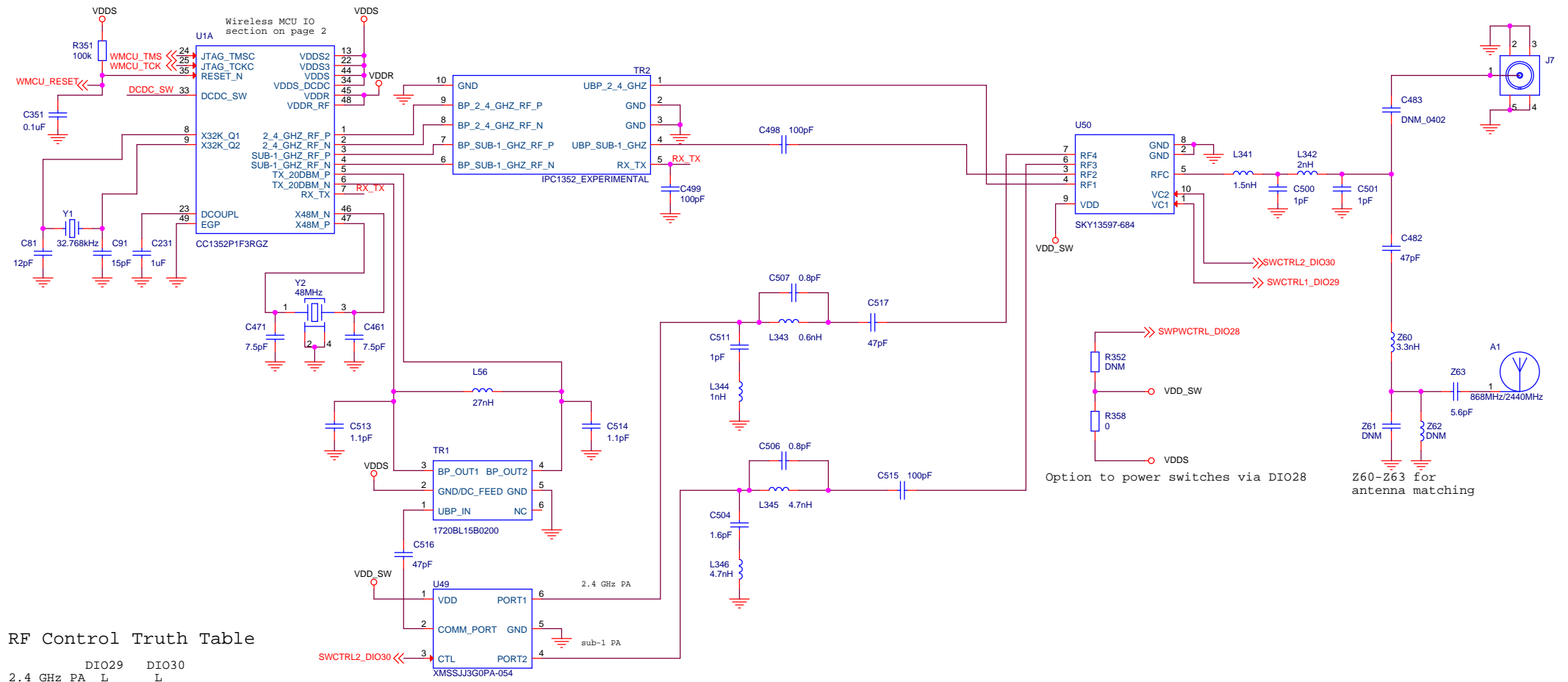
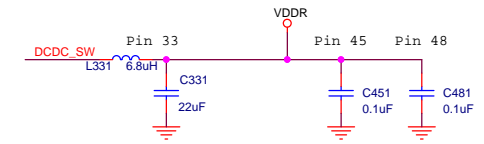
Wireless MCU RF

Wireless MCU IO block placed on page 2.

VDDS Decoupling Capacitors



VDDR Decoupling Capacitors



RF Control Truth Table

	DIO29	DIO30
2.4 GHz PA	L	L
Sub-1 PA	L	H
2.4 GHz	H	L
Sub-1	H	H

SP4T	VC1 (DIO29)	VC2 (DIO30)
RFC to RF1	H	L
RFC to RF2	H	H
RFC to RF3	L	H
RFC to RF4	L	L

SP2T:
COM-PORT1: CTRL: low
COM-PORT2: CTRL: High

Title: LAUNCHXL-CC1352P-3		 TEXAS INSTRUMENTS
Drawn: RGW	PN: MCUTBD	
Checked:		
Size: A3	Rev: E1	Sheet: 1 of 7
Date: Monday, December 03, 2018		