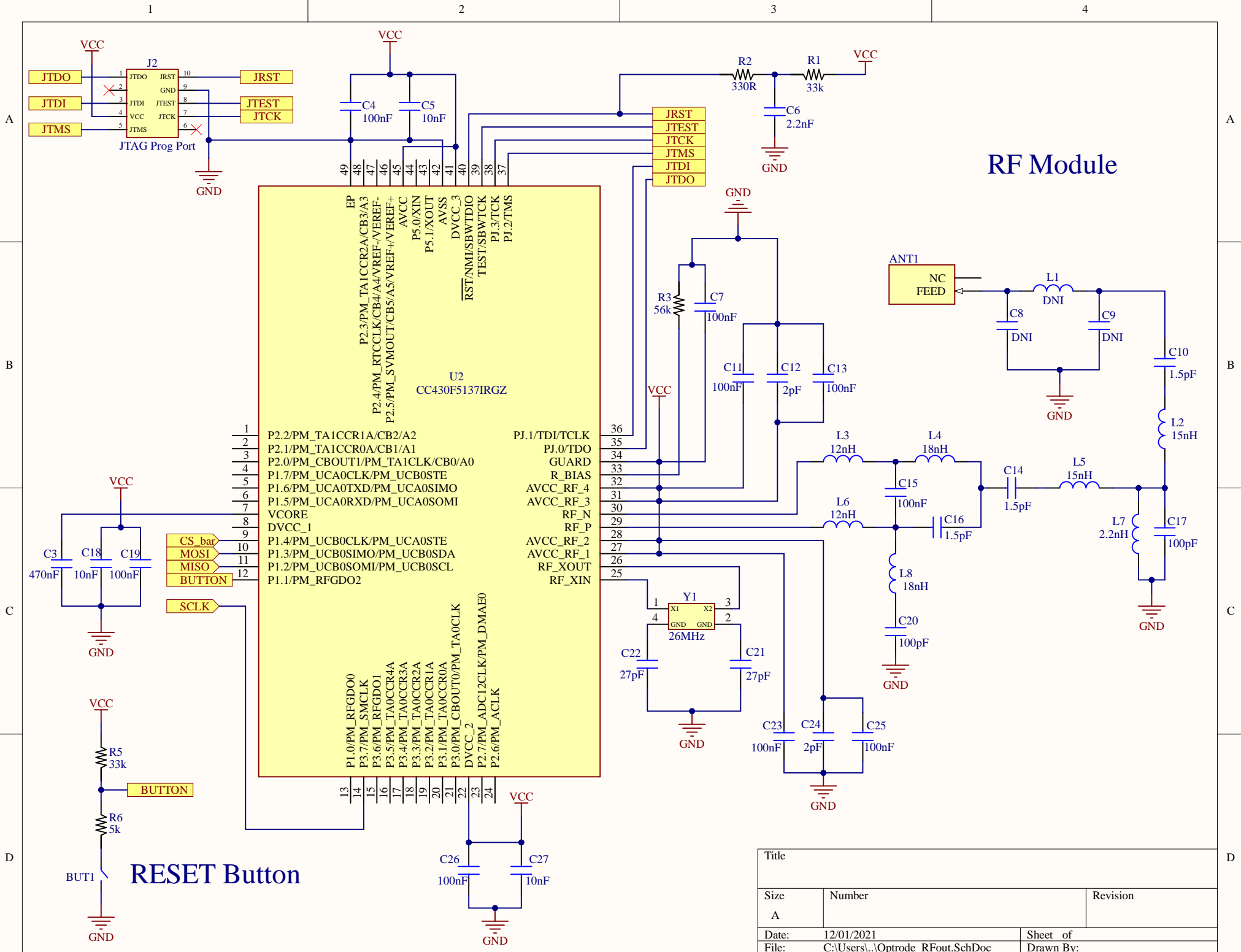


Power Transfer/Post

Neural Sensing/Recording

Title		
Size	Number	Revision
A		
Date:	12/01/2021	Sheet of
File:	C:\Users\...\Neuro_Sense.SchDoc	Drawn By:



Title		
Size	Number	Revision
A		
Date:	12/01/2021	Sheet of
File:	C:\Users\...\Optrode_RFout.SchDoc	Drawn By: