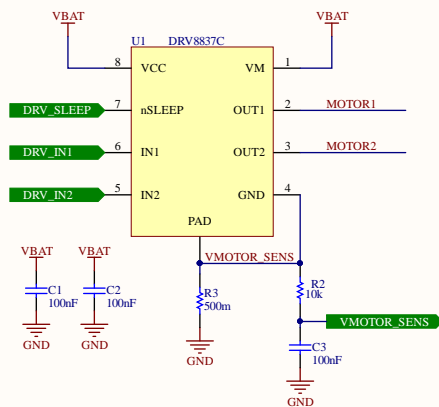


MOTOR DRIVER

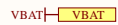
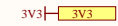
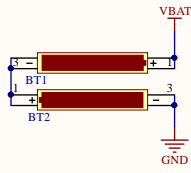
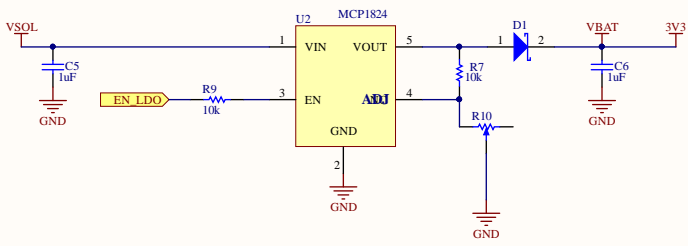
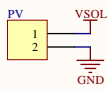
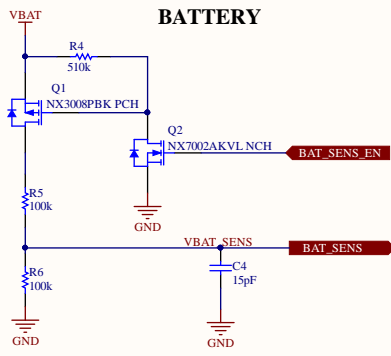


VBAT

GND

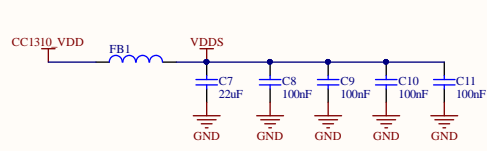
Title VALVE_1.0.PrjPcb		ESDP sh.p.k	
Date : 6/17/2019	Revision	Drawn by ESDP	Rruga Bernoca, Nr2
Time : 7:07:19 AM	Sheet of	MOTOR.SchDoc	Lunder, Farke
File : MOTOR.SchDoc		Tirane	
		Albania	



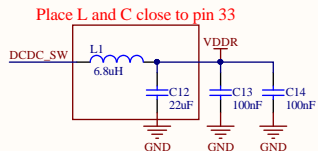


Title VALVE_1.0.PrjPcb		ESDP sh.p.k	
Date : 6/17/2019	Revision	Drawn by	ESDP
Time : 7:07:19 AM	Sheet of	POWER SUPPLY.SchDoc	
File : POWER SUPPLY.SchDoc		Rruga Bernoca, Nr2 Lunder, Farke Tirane Albania	

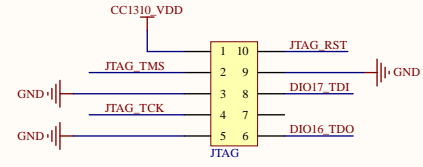




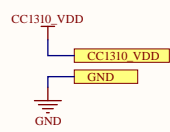
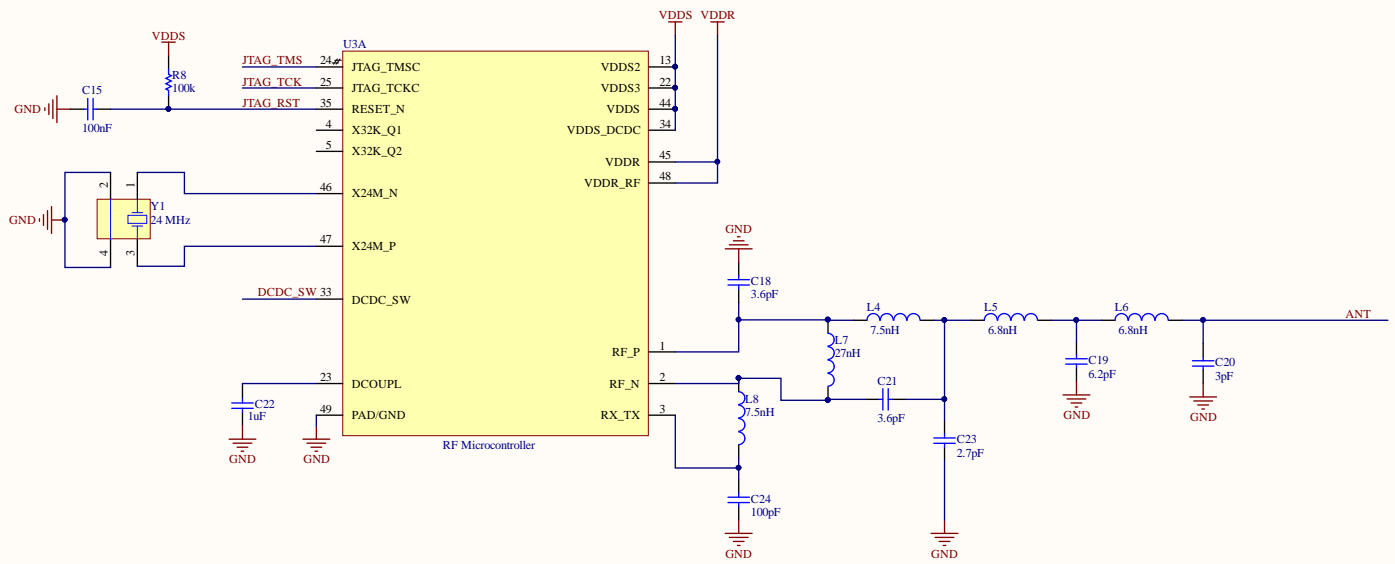
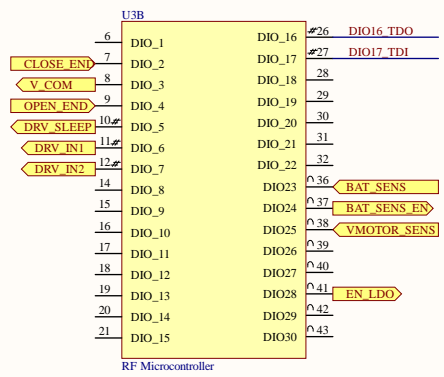
VDDS Decoupling Capacitors



VDDR Decoupling Capacitors

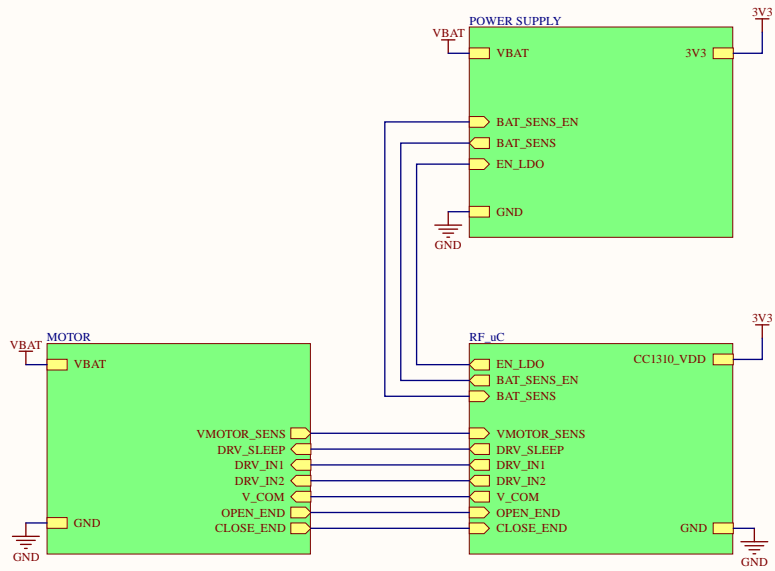


PROGRAMMING CONNECTOR



Title VALVE_1.0.PrjPcb		ESDP sh.p.k	
Date : 6/17/2019	Revision	Drawn by	ESDP
Time : 7:07:19 AM	Sheet of	RF_uC.SchDoc	
File : RF_uC.SchDoc		Rruga Bernoca, Nr2 Lunder, Farke Tirane Albania	





Title VALVE_1.0.PrjPcb		ESDP sh.p.k	
Date : 6/17/2019	Revision	Drawn by	ESDP
Time : 7:07:20 AM	Sheet of		Root.SchDoc
File : Root.SchDoc		Rruga Bemoca, Nr2 Lunder, Farke Tirane Albania	





ESDP

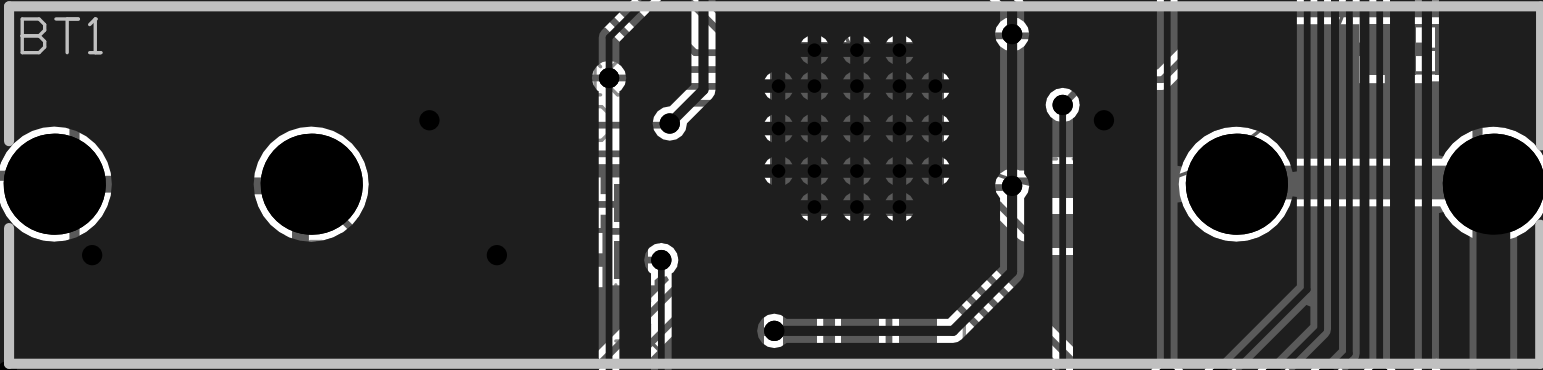
SmartValve v1.0

Albania

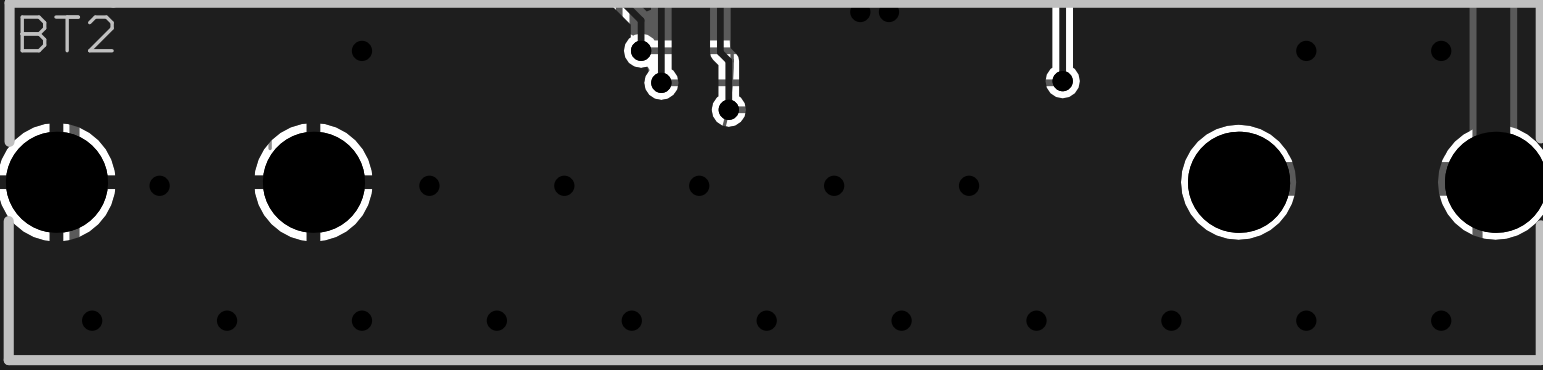
JTAG

MOTOR

BT1



BT2



PV

